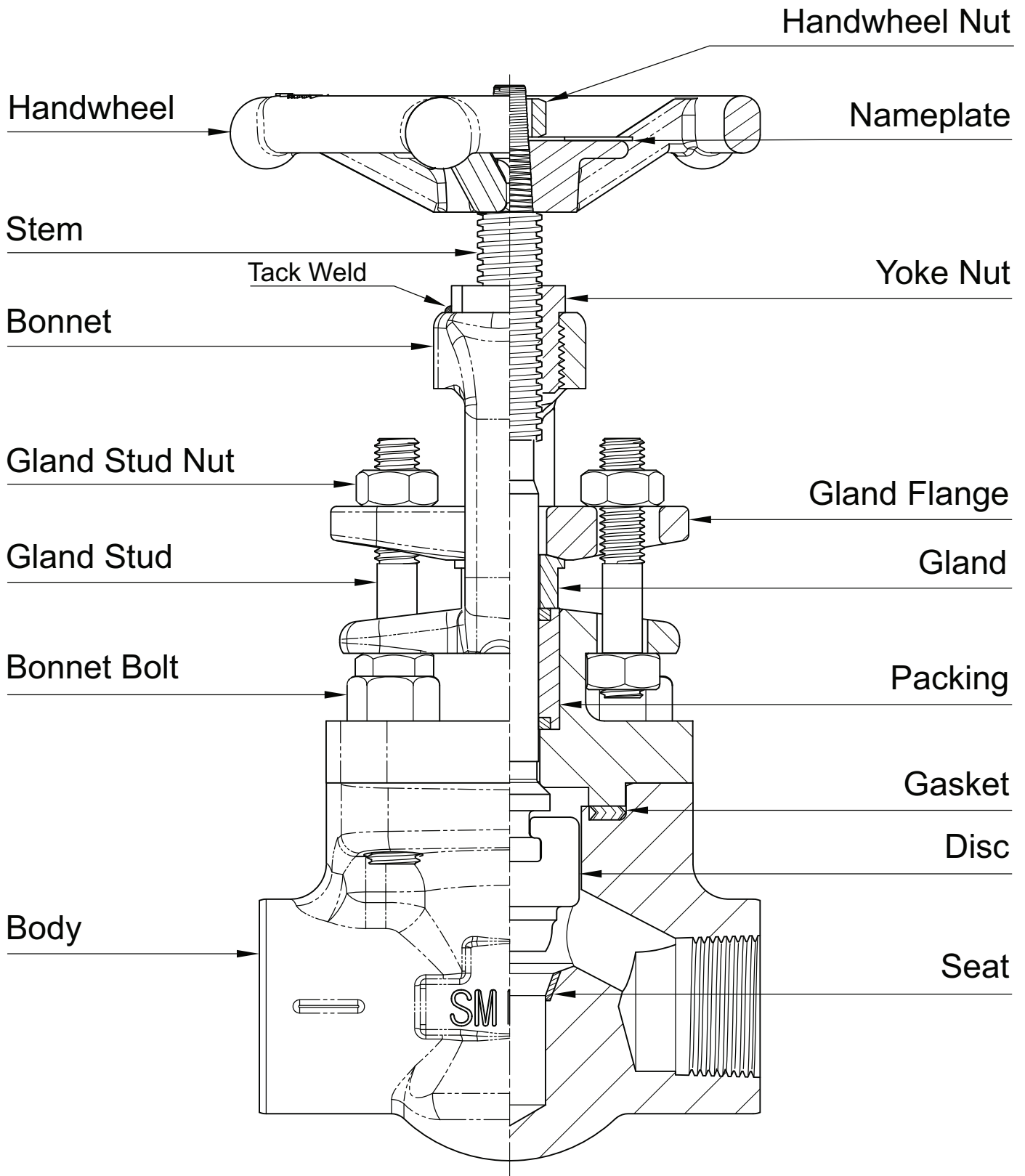




Globe Valves

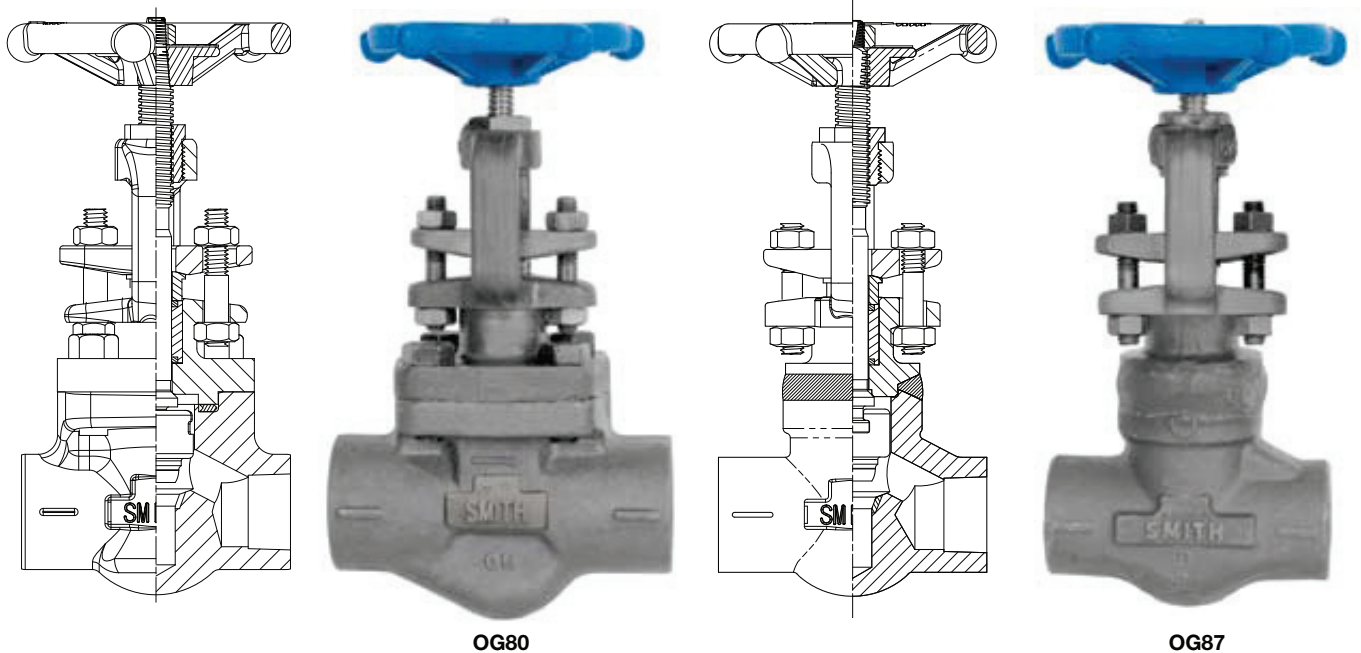




OG80-OG87 Globe Valves

Forged Steel OS&Y
Valves comply with applicable portions of API 602 and ASME B16.34

Class 800
1/4" - 2"



OG80

OG87

CLASS 800 BOLTED BONNET GLOBE VALVE - THREADED or SOCKET WELD - INCHES (MM)

VALVE SIZE NPS (DIN)	END TO END	CENTER TO TOP (OPEN)	HANDWHEEL DIAMETER	PORT DIAMETER	SOCKET DEPTH	SOCKET DIAMETER	NPT THRD	APPROX. WT. LBS (KG)
1/4 (8)	3.25 (83)	6.31 (160)	4.00 (102)	0.25 (6)	0.39 (10)	0.56 (14)	1/4"-18	3.8 (1.7)
3/8 (10)	3.25 (83)	6.31 (160)	4.00 (102)	0.25 (6)	0.39 (10)	0.69 (18)	3/8"-18	3.8 (1.7)
1/2 (15)	3.25 (83)	6.31 (160)	4.00 (102)	0.38 (10)	0.39 (10)	0.86 (22)	1/2"-14	3.8 (1.7)
3/4 (20)	3.50 (89)	6.50 (165)	4.00 (102)	0.50 (13)	0.51 (13)	1.07 (27)	3/4"-14	4.8 (2.2)
1 (25)	4.50 (114)	6.81 (173)	4.00 (102)	0.75 (19)	0.51 (13)	1.34 (34)	1"-11 1/2	6.3 (2.8)
1 1/4 (32)	6.25 (159)	8.13 (206)	4.63 (118)	1.00 (25)	0.51 (13)	1.68 (43)	1 1/4"-11 1/2	12.8 (5.8)
1 1/2 (40)	6.25 (159)	8.13 (206)	4.63 (118)	1.19 (30)	0.51 (13)	1.92 (49)	1 1/2"-11 1/2	12.3 (5.6)
2 (50)	7.25 (184)	9.94 (252)	6.63 (168)	1.44 (37)	0.63 (16)	2.41 (61)	2"-11 1/2	22.5 (10.2)

CLASS 800 WELDED BONNET GLOBE VALVE - THREADED or SOCKET WELD - INCHES (MM)

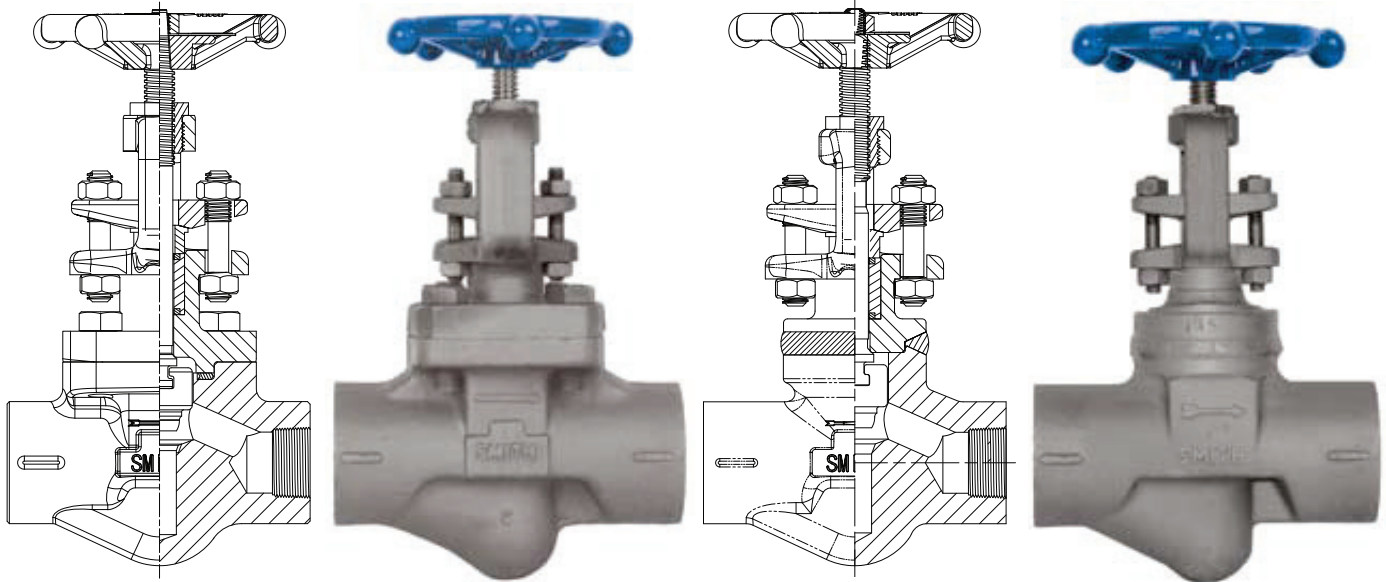
VALVE SIZE NPS (DIN)	END TO END	CENTER TO TOP (OPEN)	HANDWHEEL DIAMETER	PORT DIAMETER	SOCKET DEPTH	SOCKET DIAMETER	NPT THRD	APPROX. WT. LBS (KG)
1/4 (8)	3.25 (83)	6.38 (162)	4.00 (102)	0.25 (6)	0.39 (10)	0.56 (14)	1/4"-18	3.5 (1.6)
3/8 (10)	3.25 (83)	6.38 (162)	4.00 (102)	0.25 (6)	0.39 (10)	0.69 (18)	3/8"-18	3.5 (1.6)
1/2 (15)	3.25 (83)	6.38 (162)	4.00 (102)	0.38 (10)	0.39 (10)	0.86 (22)	1/2"-14	3.5 (1.6)
3/4 (20)	3.50 (89)	6.50 (165)	4.00 (102)	0.50 (13)	0.51 (13)	1.07 (27)	3/4"-14	4.5 (2.0)
1 (25)	4.50 (114)	6.81 (173)	4.00 (102)	0.75 (19)	0.51 (13)	1.34 (34)	1"-11 1/2	6.0 (2.7)
1 1/4 (32)	6.25 (159)	8.19 (208)	4.63 (118)	1.00 (25)	0.51 (13)	1.68 (43)	1 1/4"-11 1/2	12.3 (5.6)
1 1/2 (40)	6.25 (159)	8.19 (208)	4.63 (118)	1.19 (30)	0.51 (13)	1.92 (49)	1 1/2"-11 1/2	11.8 (5.3)
2 (50)	7.25 (184)	10.00 (254)	6.63 (168)	1.44 (37)	0.63 (16)	2.41 (61)	2"-11 1/2	22.0 (10.0)



G150-G157 Globe Valves

Forged Steel OS&Y
Valves comply with applicable portions of API 602 and ASME B16.34

Class 1500
1/4" - 2"



G150

G157

CLASS 1500 BOLTED BONNET GLOBE VALVE - THREADED or SOCKET WELD - INCHES (MM)								
VALVE SIZE NPS (DN)	END TO END	CENTER TO TOP (OPEN)	HANDWHEEL DIAMETER	PORT DIAMETER	SOCKET DEPTH	SOCKET DIAMETER	NPT THRD	APPROX. WEIGHT LBS (KG)
1/4 (8)	3.50 (89)	6.63 (168)	4.00 (102)	0.25 (6)	0.39 (10)	0.56 (14)	1/4"-18	6.0 (2.7)
3/8 (10)	3.50 (89)	6.63 (168)	4.00 (102)	0.25 (6)	0.39 (10)	0.69 (18)	3/8"-18	6.0 (2.7)
1/2 (15)	3.50 (89)	6.63 (168)	4.00 (102)	0.38 (10)	0.39 (10)	0.86 (22)	1/2"-14	5.8 (2.6)
3/4 (20)	4.50 (114)	6.75 (171)	4.00 (102)	0.50 (13)	0.51 (13)	1.07 (27)	3/4"-14	8.5 (3.9)
1 (25)	6.25 (159)	7.88 (200)	4.63 (118)	0.75 (19)	0.51 (13)	1.34 (34)	1"-11 1/2	14.8 (6.7)
1 1/4 (32)	7.25 (184)	9.94 (252)	6.63 (168)	1.00 (25)	0.51 (13)	1.68 (43)	1 1/4"-11 1/2	27.0 (12.2)
1 1/2 (40)	7.25 (184)	9.94 (252)	6.63 (168)	1.19 (30)	0.51 (13)	1.92 (49)	1 1/2"-11 1/2	27.0 (12.2)
2 (50)	7.25 (184)	10.75 (273)	6.63 (168)	1.44 (37)	0.63 (16)	2.41 (61)	2"-11 1/2	31.0 (14.1)

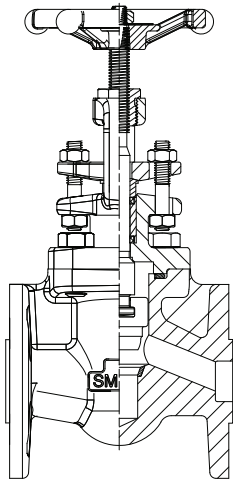
CLASS 1500 WELDED BONNET GLOBE VALVE - THREADED or SOCKET WELD - INCHES (MM)								
VALVE SIZE NPS (DN)	END TO END	CENTER TO TOP (OPEN)	HANDWHEEL DIAMETER	PORT DIAMETER	SOCKET DEPTH	SOCKET DIAMETER	NPT THRD	APPROX. WEIGHT LBS (KG)
1/4 (8)	3.50 (89)	6.56 (167)	4.00 (102)	0.25 (6)	0.39 (10)	0.56 (14)	1/4"-18	4.3 (1.9)
3/8 (10)	3.50 (89)	6.56 (167)	4.00 (102)	0.25 (6)	0.39 (10)	0.69 (18)	3/8"-18	4.3 (1.9)
1/2 (15)	3.50 (89)	6.56 (167)	4.00 (102)	0.38 (10)	0.39 (10)	0.86 (22)	1/2"-14	4.0 (1.8)
3/4 (20)	4.50 (114)	6.88 (175)	4.00 (102)	0.50 (13)	0.51 (13)	1.07 (27)	3/4"-14	6.0 (2.7)
1 (25)	6.25 (159)	8.19 (208)	4.63 (118)	0.75 (19)	0.51 (13)	1.34 (34)	1"-11 1/2	12.5 (5.7)
1 1/4 (32)	7.25 (184)	10.31 (262)	6.63 (168)	1.00 (25)	0.51 (13)	1.68 (43)	1 1/4"-11 1/2	19.5 (8.8)
1 1/2 (40)	7.25 (184)	10.31 (262)	6.63 (168)	1.19 (30)	0.51 (13)	1.92 (49)	1 1/2"-11 1/2	19.5 (8.8)
2 (50)	7.25 (184)	10.38 (264)	6.63 (168)	1.44 (37)	0.63 (16)	2.41 (61)	2"-11 1/2	24.0 (10.9)



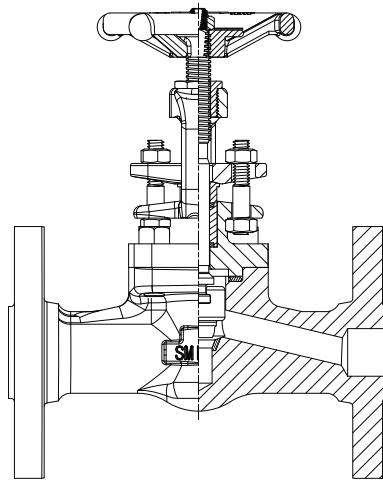
OG81-OG83 Globe Valves

Forged Steel OS&Y
Valves comply with applicable portions of API 602 and ASME B16.34

Class 150/300
1/2" - 2"



OG81



OG83

CLASS 150 BOLTED BONNET GLOBE VALVE - FLANGED ENDS - INCHES (MM)

VALVE SIZE NPS (DIN)	FACE TO FACE	CENTER TO TOP (OPEN)	HANDWHEEL DIAMETER	PORT DIAMETER	FLANGE DIAMETER	RAISED DIAMETER	BOLT HOLE	BOLT HOLE DIAMETER	BOLT CIRCLE	APPROX. WEIGHT LBS (KG)
1/2 (15)	4.25 (108)	5.69 (144)	3.25 (83)	0.38 (10)	3.54 (90)	1.38 (35)	4	0.63 (16)	2.38 (61)	3.7 (1.7)
3/4 (20)	4.63 (118)	5.94 (151)	3.94 (100)	0.50 (13)	3.94 (100)	1.69 (43)	4	0.63 (16)	2.75 (70)	5.3 (2.4)
1 (25)	5.00 (127)	6.75 (171)	3.94 (100)	0.75 (19)	4.25 (108)	2.00 (51)	4	0.63 (16)	3.13 (79)	9.8 (4.4)
1 1/2 (40)	6.50 (165)	8.44 (214)	5.50 (140)	1.19 (30)	5.00 (127)	2.88 (73)	4	0.63 (16)	3.88 (98)	18.5 (8.4)
2 (50)	8.00 (203)	9.69 (246)	6.25 (159)	1.44 (37)	6.00 (152)	3.63 (92)	4	0.75 (19)	4.75 (121)	36.0 (16.3)

CLASS 300 BOLTED BONNET GLOBE VALVE - FLANGED ENDS - INCHES (MM)

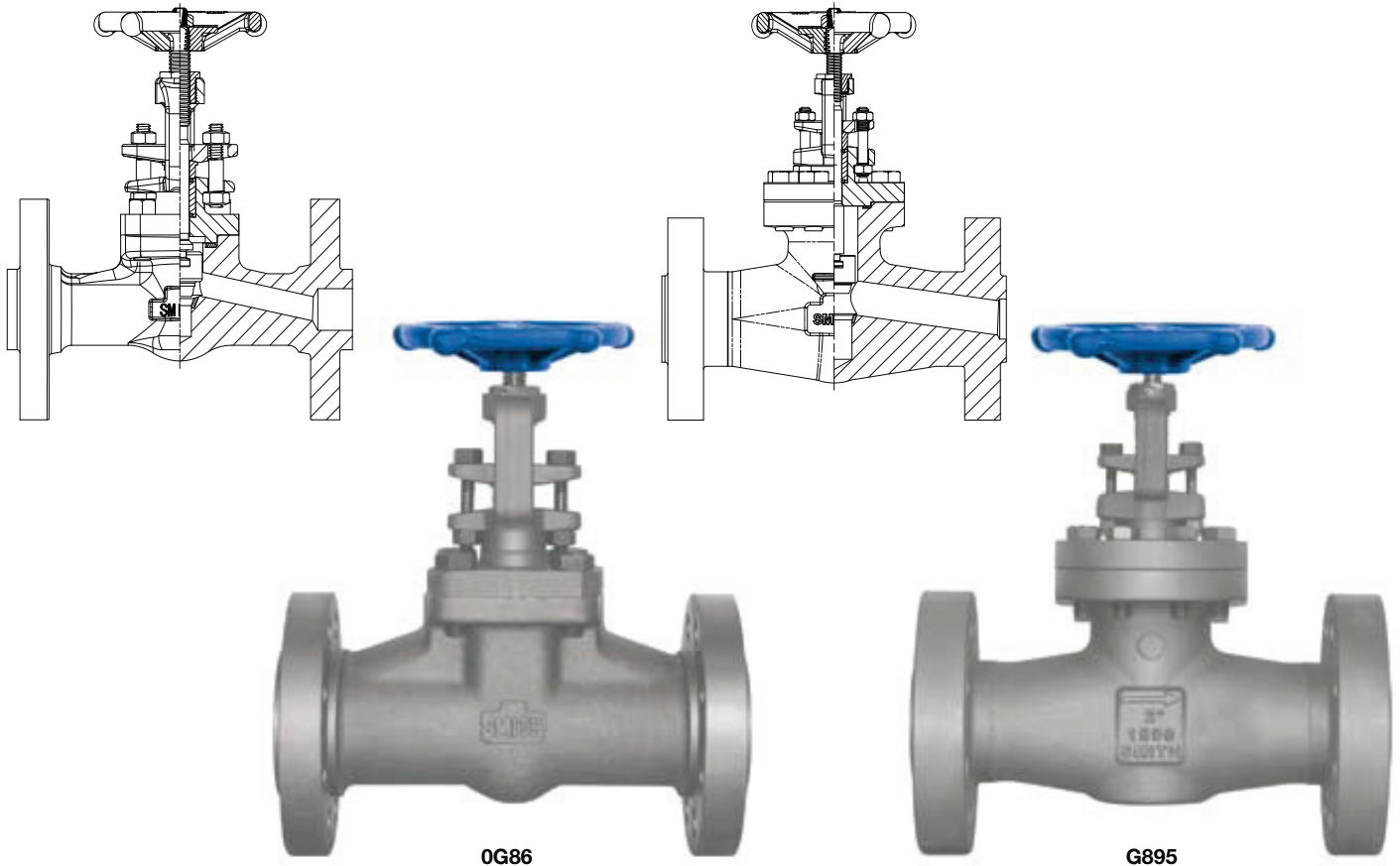
VALVE SIZE NPS (DIN)	FACE TO FACE	CENTER TO TOP (OPEN)	HANDWHEEL DIAMETER	PORT DIAMETER	FLANGE DIAMETER	RAISED DIAMETER	BOLT HOLE	BOLT HOLE DIAMETER	BOLT CIRCLE	APPROX. WEIGHT LBS (KG)
1/2 (15)	6.00 (152)	6.31 (160)	4.00 (102)	0.38 (10)	3.75 (95)	1.38 (35)	4	0.63 (16)	2.63 (67)	7.3 (3.3)
3/4 (20)	7.00 (178)	6.50 (165)	4.00 (102)	0.50 (13)	4.63 (118)	1.69 (43)	4	0.75 (19)	3.25 (83)	11.0 (5.0)
1 (25)	8.00 (203)	7.19 (183)	4.00 (102)	0.75 (19)	4.92 (125)	2.00 (51)	4	0.75 (19)	3.50 (89)	14.5 (6.6)
1 1/2 (40)	9.00 (229)	8.88 (225)	4.63 (118)	1.19 (30)	6.13 (156)	2.88 (73)	4	0.88 (22)	4.50 (114)	31.0 (14.1)
2 (50)	10.50 (267)	10.63 (270)	6.63 (168)	1.44 (37)	6.50 (165)	3.63 (92)	8	0.75 (19)	5.00 (127)	41.2 (18.7)



OG86-G895 Globe Valves

Forged Steel OS&Y
Valves comply with applicable portions of API 602 and ASME B16.34

Class 600/1500
1/2" - 2"



OG86

G895

CLASS 600 BOLTED BONNET GLOBE VALVE - FLANGED ENDS - INCHES (MM)

VALVE SIZE NPS (DIN)	FACE TO FACE	CENTER TO TOP (OPEN)	HANDWHEEL DIAMETER	PORT DIAMETER	FLANGE DIAMETER	RAISED DIAMETER	BOLT HOLE	BOLT HOLE DIAMETER	BOLT CIRCLE	APPROX. WEIGHT LBS (KG)
1/2 (15)	6.50 (165)	6.31 (160)	4.00 (102)	0.38 (10)	3.75 (95)	1.38 (35)	4	0.63 (16)	2.63 (67)	7.8 (3.5)
3/4 (20)	7.50 (191)	6.50 (165)	4.00 (102)	0.50 (13)	4.63 (118)	1.69 (43)	4	0.75 (19)	3.25 (83)	11.8 (5.3)
1 (25)	8.50 (216)	7.19 (183)	4.00 (102)	0.75 (19)	4.94 (125)	2.00 (51)	4	0.75 (19)	3.50 (89)	15.3 (6.9)
1 1/2 (40)	9.50 (241)	8.88 (225)	4.63 (118)	1.19 (30)	6.13 (156)	2.88 (73)	4	0.88 (22)	4.50 (114)	31.8 (14.4)
2 (50)	11.50 (292)	10.63 (270)	6.63 (168)	1.44 (37)	6.50 (165)	3.63 (92)	8	0.75 (19)	5.00 (127)	46.8 (21.2)

CLASS 1500 BOLTED BONNET GLOBE VALVE - FLANGED ENDS - INCHES (MM)

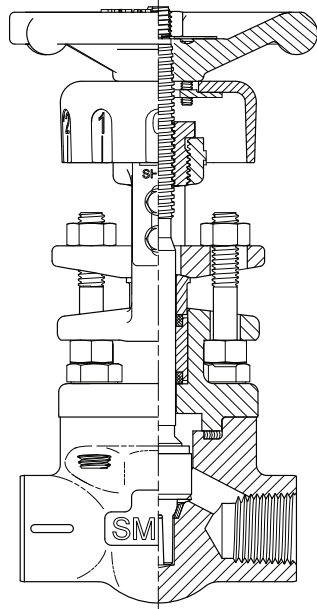
VALVE SIZE NPS (DIN)	FACE TO FACE	CENTER TO TOP (OPEN)	HANDWHEEL DIAMETER	PORT DIAMETER	FLANGE DIAMETER	RAISED DIAMETER	BOLT HOLE	BOLT HOLE DIAMETER	BOLT CIRCLE
1/2 (15)	8.50 (216)	7.98 (203)	4.00 (102)	0.38 (10)	4.75 (121)	1.38 (35)	4	0.88 (22)	3.25 (83)
3/4 (20)	9.00 (229)	8.69 (221)	5.50 (140)	0.50 (13)	5.13 (130)	1.69 (43)	4	0.88 (22)	3.50 (89)
1 (25)	10.00 (254)	10.00 (254)	5.50 (140)	0.75 (19)	5.88 (149)	2.00 (51)	4	1.00 (25)	4.00 (102)
1 1/2 (40)	12.00 (305)	11.89 (302)	6.63 (168)	1.19 (30)	7.00 (178)	2.88 (73)	4	1.13 (29)	4.88 (124)
2 (50)	14.50 (368)	12.98 (330)	6.63 (168)	1.44 (37)	8.50 (216)	3.63 (92)	8	1.00 (25)	6.50 (165)



FG80 Globe Valves

Forged Steel OS&Y
Valves comply with applicable portions of API 602 and ASME B16.34

Class 800
1/2" - 1"



FG80

CLASS 800 FLOW CONTROL GLOBE VALVE - THREADED or SOCKET WELD - INCHES (MM)								
VALVE SIZE NPS (DN)	END TO END	CENTER TO TOP (OPEN)	HANDWHEEL DIAMETER	PORT DIAMETER	SOCKET DEPTH	SOCKET DIAMETER	NPT THRD	APPROX. WEIGHT LBS (KG)
1/2 (15)	3.25 (83)	6.50 (165)	4.00 (102)	0.39 (10)	0.39 (10)	0.86 (22)	1/2"-14	4.3 (2.0)
3/4 (20)	3.50 (89)	6.58 (167)	4.00 (102)	0.50 (13)	0.51 (13)	1.07 (27)	3/4"-14	5.3 (2.4)
1 (25)	3.88 (98)	6.71 (170)	4.00 (102)	0.75 (19)	0.51 (13)	1.34 (34)	1"-11 1/2	7.0 (3.2)