

# SKIL®

Owner's Manual  
Guide d'utilisation  
Manual del propietario



Model/ Modelo/ Modèle: HD6294B-00

## PWRCORE 20™

### 20V Brushless Sub-Compact Hammer Drill

### Marteau perforateur sous-compact sans balais de 20V

### Taladro de percusión subcompacto de 20 V sin escobillas

**▲ WARNING:** To reduce the risk of injury, the user must read and understand the Owner's Manual before using this product. Save these instructions for future reference.

**▲ AVERTISSEMENT :** Afin de réduire les risques de blessure, l'utilisateur doit lire et comprendre le guide d'utilisation avant d'utiliser cet article. Conservez le présent guide afin de pouvoir le consulter ultérieurement.

**▲ ADVERTENCIA :** Para reducir el riesgo de lesiones, el usuario debe leer y comprender el Manual del operador antes de utilizar este producto. Guarde estas instrucciones para consultarlas en caso sea necesario.



For Customer Service  
Pour le service à la clientèle  
Servicio al cliente

**1-877-SKIL-999** OR **www.skil.com**


# TABLE OF CONTENTS

General Power Tool Safety Warnings .....	3-5
Safety Warnings for Hammer Drill .....	5
Symbols .....	6-9
Get to Know Your Hammer Drill .....	10
Specifications .....	10
Operating Instructions .....	11-18
Maintenance .....	19
Troubleshooting .....	20
Limited Warranty of SKIL Cordless Tools .....	21

## **WARNING**

- Some dust created by power sanding, sawing, grinding, drilling and other construction activities contains chemicals known to the State of California to cause cancer, birth defects or other reproductive harm. Some examples of these chemicals are:
  - Lead from lead-based paints.
  - Crystalline silica from bricks, cement, and other masonry products.
  - Arsenic and chromium from chemically-treated lumber.
- Your risk from these exposures varies, depending upon how often you do this type of work. To reduce your exposure to these chemicals:
  - Work in a well-ventilated area.
  - Work with approved safety equipment, such as dust masks that are specially designed to filter out microscopic particles.
  - Avoid prolonged contact with dust from power sanding, sawing, grinding, drilling, and other construction activities. Wear protective clothing and wash exposed areas with soap and water. Allowing dust to get into your mouth or eyes or to lie on the skin may promote absorption of harmful chemicals.

# GENERAL POWER TOOL SAFETY WARNINGS

 **WARNING** Read all safety warnings, instructions, illustrations and specifications provided with this power tool. Failure to follow all instructions listed below may result in electric shock, fire and/or serious injury.

## SAVE ALL WARNINGS AND INSTRUCTIONS FOR FUTURE REFERENCE.

The term “power tool” in the warnings refers to your mains-operated (corded) power tool or battery-operated (cordless) power tool.

## Work area safety

**Keep work area clean and well lit.** Cluttered or dark areas invite accidents.

**Do not operate power tools in explosive atmospheres, such as in the presence of flammable liquids, gases or dust.** Power tools create sparks which may ignite the dust or fumes.

**Keep children and bystanders away while operating a power tool.** Distractions can cause you to lose control.

## Electrical safety

**Power tool plugs must match the outlet. Never modify the plug in any way. Do not use any adapter plugs with earthed (grounded) power tools.** Unmodified plugs and matching outlets will reduce risk of electric shock.

**Avoid body contact with earthed or grounded surfaces, such as pipes, radiators, ranges and refrigerators.** There is an increased risk of electric shock if your body is earthed or grounded.

**Do not expose power tools to rain or wet conditions.** Water entering a power tool will increase the risk of electric shock.

**Do not abuse the cord. Never use the cord for carrying, pulling or unplugging the power tool. Keep cord away from heat, oil, sharp edges or moving parts.** Damaged or entangled cords increase the risk of electric shock.

**When operating a power tool outdoors, use an extension cord suitable for outdoor use.** Use of a cord suitable for outdoor use reduces the risk of electric shock.

**If operating a power tool in a damp location is unavoidable, use a ground fault circuit interrupter (GFCI) protected supply.** Use of a GFCI reduces the risk of electric shock.

## Personal safety

**Stay alert, watch what you are doing and use common sense when operating a power tool. Do not use a power tool while you are tired or under the influence of drugs, alcohol or medication.** A moment of inattention while operating power tools may result in serious personal injury.

**Use personal protective equipment. Always wear eye protection.** Protective equipment such as a dust mask, non-skid safety shoes, hard hat or hearing protection used for appropriate conditions will reduce personal injuries.

**Prevent unintentional starting. Ensure the switch is in the off-position before connecting to power source and/or battery pack, picking up or carrying the tool.** Carrying power tools with your finger on the switch or energizing power tools that have the switch on invites accidents.

**Remove any adjusting key or wrench before turning the power tool on.** A wrench or a key left attached to a rotating part of the power tool may result in personal injury.

**Do not overreach. Keep proper footing and balance at all times.** This enables better control of the power tool in unexpected situations.

**Dress properly. Do not wear loose clothing or jewelry. Keep your hair, and clothing away from moving parts.** Loose clothes, jewelry or long hair can be caught in moving parts.

**If devices are provided for the connection of dust extraction and collection facilities, ensure these are connected and properly used.** Use of dust collection can reduce dust-related hazards.

**Do not let familiarity gained from frequent use of tools allow you to become complacent and ignore tool safety principles.** A careless action can cause severe injury within a fraction of a second.

## **Power tool use and care**

**Do not force the power tool. Use the correct power tool for your application.** The correct power tool will do the job better and safer at the rate for which it was designed.

**Do not use the power tool if the switch does not turn it on and off.** Any power tool that cannot be controlled with the switch is dangerous and must be repaired.

**Disconnect the plug from the power source and/or remove the battery pack, if detachable, from the power tool before making any adjustments, changing accessories, or storing power tools.** Such preventive safety measures reduce the risk of starting the power tool accidentally.

**Store idle power tools out of the reach of children and do not allow persons unfamiliar with the power tool or these instructions to operate the power tool.**

Power tools are dangerous in the hands of untrained users.

**Maintain power tools and accessories. Check for misalignment or binding of moving parts, breakage of parts and any other condition that may affect the power tool's operation. If damaged, have the power tool repaired before use.** Many accidents are caused by poorly maintained power tools.

**Keep cutting tools sharp and clean.** Properly maintained cutting tools with sharp cutting edges are less likely to bind and are easier to control.

**Use the power tool, accessories and tool bits etc. in accordance with these instructions, taking into account the working conditions and the work to be performed.** Use of the power tool for operations different from those intended could result in a hazardous situation.

**Keep handles and grasping surfaces dry, clean and free from oil and grease.**

Slippery handles and grasping surfaces do not allow for safe handling and control of the tool in unexpected situations.

## **Battery tool use and care**

**Recharge only with the charger specified by the manufacturer.** A charger that is suitable for one type of battery pack may create a risk of fire when used with another battery pack.

**Use power tools only with specifically designated battery packs.** Use of any other battery packs may create a risk of injury and fire.

**When battery pack is not in use, keep it away from other metal objects, like paper clips, coins, keys, nails, screws or other small metal objects, that can make a connection from one terminal to another.** Shorting the battery terminals together may cause burns or a fire.

**Under abusive conditions, liquid may be ejected from the battery; avoid contact. If contact accidentally occurs, flush with water. If liquid contacts eyes, additionally seek medical help.** Liquid ejected from the battery may cause irritation or burns.

**Do not use a battery pack or tool that is damaged or modified.** Damaged or modified batteries may exhibit unpredictable behavior resulting in fire, explosion or risk of injury.

**Do not expose a battery pack or tool to fire or excessive temperature.** Exposure to fire or temperature above 265 °F (130 °C) may cause explosion.

**Follow all charging instructions and do not charge the battery pack or tool outside the temperature range specified in the instructions.** Charging improperly or at temperatures outside the specified range may damage the battery and increase the risk of fire.

## **Service**

**Have your power tool serviced by a qualified repair person using only identical replacement parts.** This will ensure that the safety of the power tool is maintained.

**Never service damaged battery packs.** Service of battery packs should only be performed by the manufacturer or authorized service providers

## **SAFETY WARNINGS FOR HAMMER DRILL**

### **Safety instructions for all operations:**

**Wear ear protectors when impact drilling. Exposure to noise can cause hearing loss.**

**Hold the power tool by insulated gripping surfaces, when performing an operation where the cutting accessory or fastener may contact hidden wiring.** Cutting accessory or fastener contacting a "live" wire may make exposed metal parts of the power tool "live" and could give the operator an electric shock.

### **Safety instructions when using long drill bits:**

**Never operate at higher speed than the maximum speed rating of the drill bit.** At higher speeds, the bit is likely to bend if allowed to rotate freely without contacting the workpiece, resulting in personal injury.

**Always start drilling at low speed and with the bit tip in contact with the workpiece.**

At higher speeds, the bit is likely to bend if allowed to rotate freely without contacting the workpiece, resulting in personal injury.





**Apply pressure only in direct line with the bit and do not apply excessive pressure.** Bits can bend causing breakage or loss of control, resulting in personal injury.

# SYMBOLS

## Safety Symbols

The purpose of safety symbols is to attract your attention to possible dangers. The safety symbols and the explanations with them deserve your careful attention and understanding. The symbol warnings do not, by themselves, eliminate any danger. The instructions and warnings they give are no substitutes for proper accident prevention measures.

**⚠ WARNING** Be sure to read and understand all safety instructions in this Owner's Manual, including all safety alert symbols such as **"DANGER"**, **"WARNING"**, and **"CAUTION"** before using this tool. Failure to following all instructions listed below may result in electric shock, fire, and/or serious personal injury.

The definitions below describe the level of severity for each signal word. Please read the manual and pay attention to these symbols.	
	This is the safety alert symbol. It is used to alert you to potential personal injury hazards. Obey all safety messages that follow this symbol to avoid possible injury or death.
	DANGER indicates a hazardous situation which, if not avoided, will result in death or serious injury.
	WARNING indicates a hazardous situation which, if not avoided, could result in death or serious injury.
	CAUTION, used with the safety alert symbol, indicates a hazardous situation which, if not avoided, will result in minor or moderate injury.

## Damage Prevention and Information Messages

These inform the user of important information and/or instructions that could lead to equipment or other property damage if they are not followed. Each message is preceded by the word "NOTICE", as in the example below:



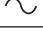

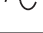




**NOTICE:** Equipment and/or property damage may result if these instructions are not followed.






**⚠ WARNING** The operation of any power tools can result in foreign objects being thrown into your eyes, which can result in severe eye damage. Before beginning power tool operation, always wear safety goggles or safety glasses with side shields and a full face shield when needed. We recommend a Wide Vision Safety Mask for use over eyeglasses or standard safety glasses with side shields. Always use eye protection which is marked to comply with ANSI Z87.1.

## SYMBOLS (CONTINUED)

**IMPORTANT:** Some of the following symbols may be used on your tool. Please study them and learn their meaning. Proper interpretation of these symbols will allow you to operate the tool better and more safely.







Symbol	Name	Designation/Explanation
V	Volts	Voltage (potential)
A	Amperes	Current
Hz	Hertz	Frequency (cycles per second)
W	Watt	Power
kg	Kilograms	Weight
min	Minutes	Time
s	Seconds	Time
Wh	Watt-hours	Battery capacity
Ah	Ampere-hours	Battery capacity
∅	Diameter	Size of drill bits, grinding wheels, etc.
n <sub>0</sub>	No load speed	Rotational speed, at no load
n	Rated speed	Maximum attainable speed
.../min	Revolutions or reciprocations per minute (rpm)	Revolutions, strokes, surface speed, orbits, etc. per minute
O	Off position	Zero speed, zero torque...
1,2,3,... I,II,III,	Selector settings	Speed, torque, or position settings. Higher number means greater speed
	Infinitely variable selector with off	Speed is increasing from 0 setting
	Arrow	Action in the direction of arrow
	Alternating current (AC)	Type or a characteristic of current
	Direct current (DC)	Type or a characteristic of current
	Alternating or direct current (AC / DC)	Type or a characteristic of current
	Class II tool	Designates Double Insulated Construction tools.
	Protective earth	Grounding terminal
	Li-ion RBRC seal	Designates Li-ion battery recycling program
	Read the instructions	Alerts user to read manual

Symbol	Name	Designation/Explanation
	Wear eye protection symbol	Alerts user to wear eye protection
	Always operate with two hands	Alerts user to always operate with two hands
	Do not use the guard for cut-off operations	Alerts user not to use the guard for cut-off operations



## SYMBOLS (CERTIFICATION INFORMATION)

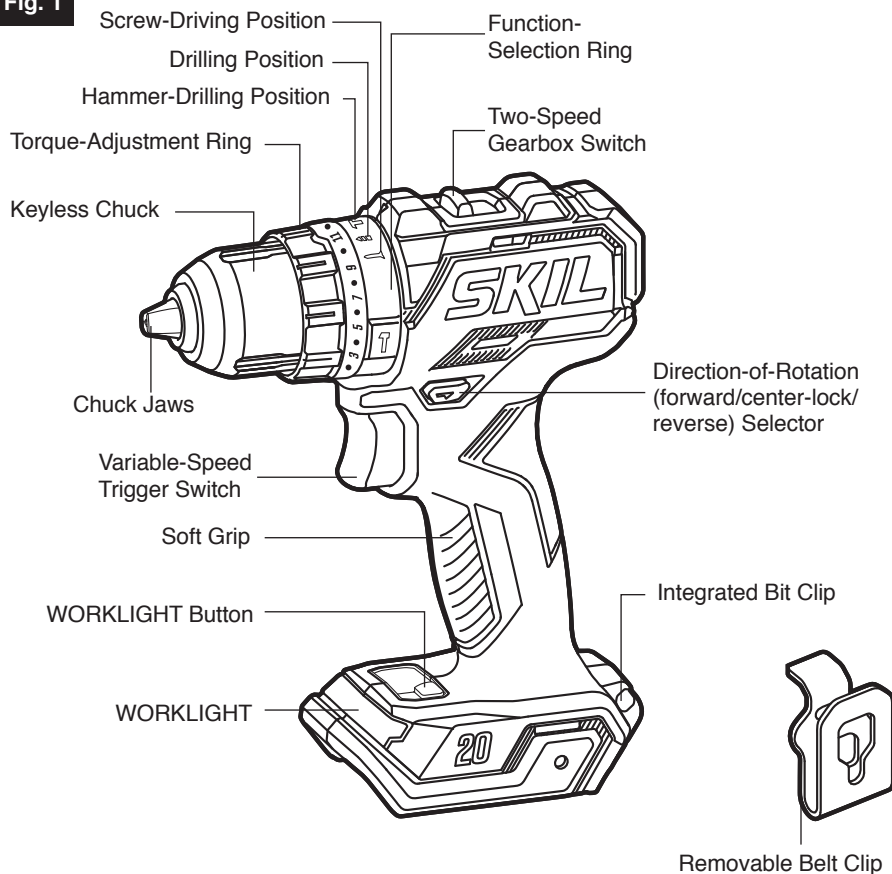
**IMPORTANT:** Some of the following symbols for certification information may be used on your tool. Please study them and learn their meaning. Proper interpretation of these symbols will allow you to operate the tool better and more safely.

Symbol	Designation/Explanation
	This symbol designates that this tool is listed by Underwriters Laboratories.
	This symbol designates that this component is recognized by Underwriters Laboratories.
	This symbol designates that this tool is listed by Underwriters Laboratories, to United States and Canadian Standards.
	This symbol designates that this tool is listed by the Canadian Standards Association.
	This symbol designates that this tool is listed by the Canadian Standards Association, to United States and Canadian Standards.
	This symbol designates that this tool is listed by the Intertek Testing Services, to United States and Canadian Standards.

# GET TO KNOW YOUR HAMMER DRILL

## 20V Brushless Sub-Compact Hammer Drill

**Fig. 1**



## SPECIFICATIONS

Rated Voltage	20V d.c.
No-load Speed	0-500 / 0-1800/min (RPM)
Impact Rate	0-7500 / 0-27000 /min (IPM)
Chuck Capacity	1/2" (13mm)
Clutch Settings	17 Positions + Drill Mode + Hammer Mode
Recommended operating temperature	14 – 104°F (-10 – 40°C)
Recommended storage temperature	32 – 104°F (0 – 40°C)

# OPERATING INSTRUCTIONS

**⚠ WARNING** To reduce the risk of fire, personal injury, and product damage due to a short circuit, never immerse your tool, battery pack or charger in fluid or allow a fluid to flow inside them. Corrosive or conductive fluids, such as seawater, certain industrial chemicals, and bleach, or bleach-containing products, etc., can cause a short circuit.

**⚠ WARNING** If any parts are damaged or missing, do not operate this product until the parts are replaced. Use of this product with damaged or missing parts could result in serious personal injury.

**⚠ WARNING** Do not attempt to modify this tool or create accessories not recommended for use with this tool. Any such alteration or modification is misuse and could result in a hazardous condition leading to possible serious injury.

**⚠ WARNING** To prevent accidental starting that could cause serious personal injury, always remove the battery pack from the tool when assembling parts.

This cordless hammer drill must be used only with the battery packs and chargers listed below:

Battery Pack					Charger	
2Ah	2Ah	2.5Ah	4Ah	5Ah		
SKIL BY519701	SKIL BY519702	SKIL BY519703	SKIL BY519601	SKIL BY519603	SKIL SC535801	SKIL QC536001
					SKIL QC5359B-02	SKIL SC5358B-02

**NOTICE:** Please refer to the battery pack and charger manuals for detailed operating information.

## To Attach/Detach Battery Pack (Fig. 2)

Lock the trigger switch “OFF” on the tool by placing the direction-of-rotation (forward/center-lock/reverse) selector in the center position.

### To attach the battery pack:

Align the raised rib on the battery pack with the grooves in the tool, and then slide the battery pack onto the tool.

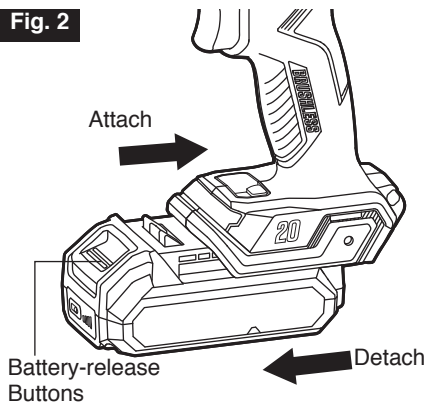
**NOTICE:** When placing the battery pack on the tool, be sure that the raised rib on the battery pack aligns with the groove in the tool and that the latches snap into place properly. Improper attachment of the battery pack can cause damage to internal components.

### To detach the battery pack:

Depress the battery-release button, located on the front of the battery pack, to release the battery pack. Pull the battery pack out and remove it from the tool.

**⚠ WARNING** Battery tools are always in operating condition. Therefore, the direction-of-rotation (forward/center-lock/reverse) selector should always be locked in the center position when the tool is not in use or when carrying it at your side.

**Fig. 2**



## Direction-of-Rotation (Forward/Center-Lock/Reverse) Selector (Fig. 3)

**WARNING** After tool use, lock the direction-of-rotation selector in the “OFF” position (center-lock) to help prevent accidental starts and possible injury.

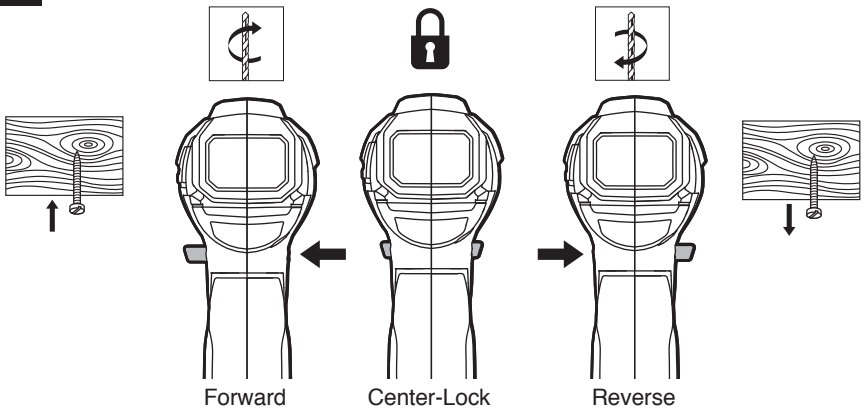
Your tool is equipped with a direction-of-rotation selector, located above the trigger switch. This selector is designed for changing the direction of rotation of the bit and for locking the trigger in the “OFF” (center-lock) position.

- Position the direction-of-rotation selector to the far left of the tool to drill holes or drive the screws in.
- Position the direction-of-rotation selector to the far right of the tool to remove screws.
- Position the switch in the “OFF” (center-lock) position to help reduce the possibility of accidental starting when the tool is not in use.

**NOTICE:** To prevent gear damage, always allow the hammer drill to come to a complete stop before changing the direction of rotation.

**NOTE:** The hammer drill will not run unless the direction-of-rotation selector is engaged fully to the left or the right.

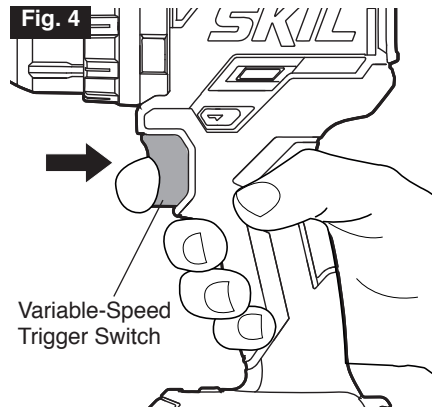
**Fig. 3**



## Variable-Speed Trigger Switch (Fig. 4)

Your tool is equipped with a variable-speed trigger switch. The tool can be turned “ON” or “OFF” by depressing or releasing the variable-speed trigger switch.

The variable-speed trigger switch delivers higher speed with increased trigger pressure and lower speed with decreased trigger pressure.



## Two-Speed Gearbox Switch (Fig. 5)

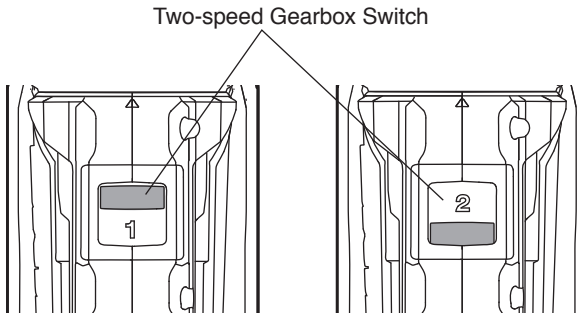
Your tool is equipped with a two-speed gearbox designed for operating at low or high speeds. The slide switch is located on the top of the tool to select either low (marked "1") or high (marked "2") speed.

The low speed (1) provides higher torque and slower speeds for heavy-duty work or for driving screws, drilling large diameters, or tapping threads. Use the low speed for starting holes without a center punch, drilling metals or plastic, drilling ceramics, or in applications requiring a higher torque.

The high speed (2) provides lower torque and faster speeds for lighter drilling work. The high speed is better for drilling wood and wood composites and for using abrasive and polishing accessories.


**NOTICE:** To prevent gear damage, always allow the tool to come to a complete stop before changing between low speed (1) and high speed (2).

Fig. 5




## Function Selector and Torque-Adjustment Ring (Fig. 6)

Your tool is equipped with a function selector for various applications. Move the selector depending on your task.

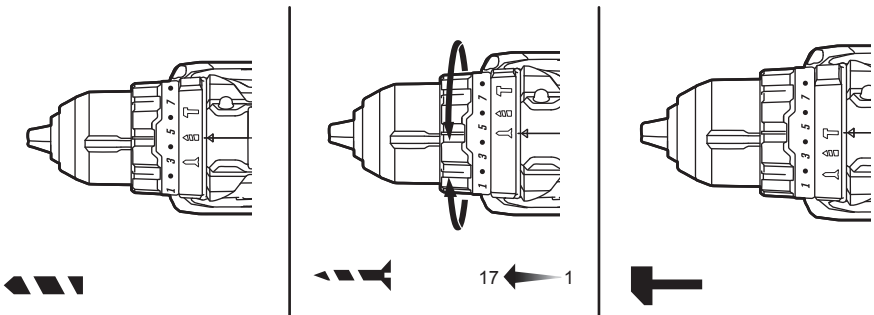
The Drilling function setting  will lock the clutch to permit (non-hammer) drilling or driving for heavy-duty work.

The Screw-Driving function setting  optimizes the tool for driving screws.


The Hammer Drilling function setting  will lock the clutch to permit hammer drilling only.

**NOTICE:** Do not use the hammer drilling setting for drilling in wood, metal, ceramic, and plastic to prevent the drill/screw bit from being damaged.

Fig. 6



**⚠ CAUTION** Do not adjust the torque or switch functions while the tool is running.

Your tool also features 17 clutch settings for the screw-driving operation . Output torque will increase as the clutch ring is rotated from 1 to 17. When driving a screw, first try torque position 1 and increase until the desired torque is reached.

The proper setting depends on the job and the type of bit, fastener, and material you will be using. In general, use greater torque for larger screws. If the torque is too high, the screws may be damaged or broken. For delicate operations, such as removing a partially stripped screw, use a low torque setting.

## WORKLIGHT (Fig. 7)

Your tool is equipped with a WORKLIGHT light, located on the base of the tool. This provides additional light on the surface of the workpiece for operation in lower-light areas.

The WORKLIGHT will illuminate by default when the tool is turned on OR if the WORKLIGHT button is pressed without turning the tool on.

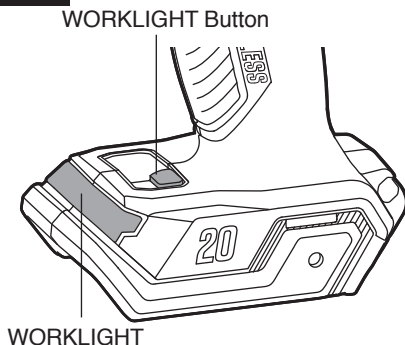
The WORKLIGHT could be turned off manually by pressing the WORKLIGHT button when the tool is not running.

**NOTE:** WORKLIGHT will turn off automatically after 10 seconds of inactivity if the WORKLIGHT is turned on by squeezing on the variable-speed trigger switch. WORKLIGHT will turn off automatically after 10 minutes of inactivity if the WORKLIGHT is turned on by pressing the WORKLIGHT button.

**NOTE:** For safety reasons, the WORKLIGHT button is disabled while the tool is running. The WORKLIGHT will rapidly flash when the tool and/or battery pack becomes overloaded or too hot and the internal sensors will turn the tool off. Rest the tool for a while or place the tool and battery pack separately under air flow for cooling.

The WORKLIGHT will flash more slowly to indicate that the battery pack charge is low. Recharge the battery pack.

**Fig. 7**




## Installing and Removing Bits (Fig. 8a & 8b)

**⚠ WARNING** Do not use the power of the hammer drill while grasping chuck to loosen or tighten the bit. Friction burn or hand injury is possible if attempting to grasp the spinning chuck.

**⚠ WARNING** Do not use bits with damaged shanks.

Your tool is equipped with a keyless chuck to tighten or release drill bits in the chuck jaws. The arrow on the chuck indicates the direction in which to rotate the chuck body in order to lock ("CLOSE") or unlock ("OPEN") the chuck jaws on the drill bit.

- Lock the trigger switch "OFF" on the tool by placing the direction-of-rotation (forward/center-lock/reverse) selector in the center position.
- Remove the battery pack and select the Drill Position "".

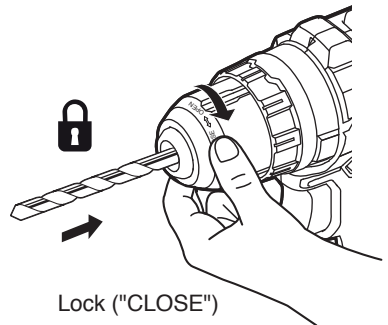
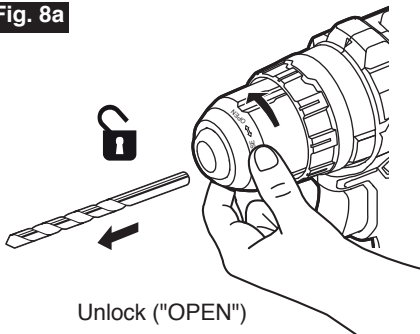
### To install the bit:

- Rotate the chuck body counterclockwise, viewed from chuck end, to open the chuck to approximately the drill bit diameter.
- Insert a clean bit up to the drill-bit flutes for small bits, or as far as it will go for large bits. Close the chuck by rotating the chuck body clockwise and securely tighten it by hand (Fig. 8a).

### To remove the bit:

- Rotate the chuck body counterclockwise, as viewed from the chuck end, to open the chuck.
- Remove the bit.

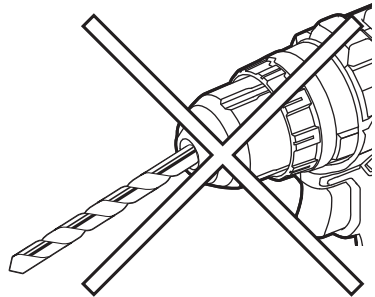
**Fig. 8a**



**⚠ WARNING** Make sure to insert the drill bit straight into the chuck jaws. Do not insert the drill bit into the chuck jaws at an angle and then tighten the chuck as shown in Fig. 8b. This could cause the drill bit to be thrown from the tool, resulting in possibly serious personal injury or damage to the chuck.

**⚠ WARNING** The bit may be hot after prolonged use. Use protective gloves when removing the bit from the tool, or first allow the bit to cool down.

**Fig. 8b**



### Removable Belt Clip (Fig. 9)

Your tool is shipped with a removable belt clip that can be positioned on the either side of the tool for convenient transportation.

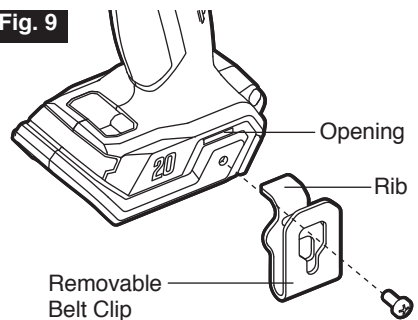
#### To install the belt clip onto the tool:

- Remove the battery pack from the tool.
- Align the rib and the hole of the belt clip with the opening and the threaded hole on the base of the tool, respectively.
- Insert the screw and securely tighten the screw with a screwdriver (not included).

#### To remove the belt clip from the tool:

- Remove the battery pack from the tool.
- Use a screwdriver (not included) to loosen the screw that attaches the belt clip to the tool.
- Remove the screw and the belt clip. Keep them in a safe place for future use.

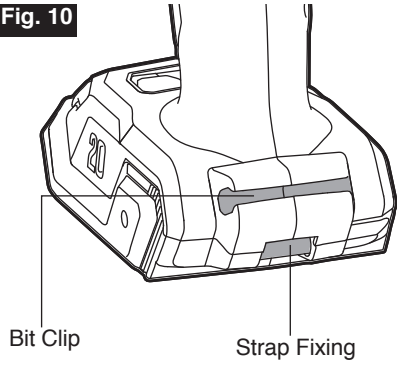
**Fig. 9**



## Integrated Bit Clip (Fig. 10)

Your tool is equipped with an integrated bit clip located on the back of the tool. Use the bit clip to conveniently store hex bits.

Fig. 10



## Strap Fixing (Fig. 10)

Strap fixing is provided to attach a wrist strap (not included) in order to reduce the chances of dropping your tool. Wrap the strap around your hand when carrying the tool.

## Drill Bits

Always inspect drill bits for excessive wear. Use only bits that are sharp and in good condition.

**Twist Bits:** Available with straight and reduced shanks for wood and light-duty metal drilling. High-speed bits cut faster and last longer when drilling hard materials.

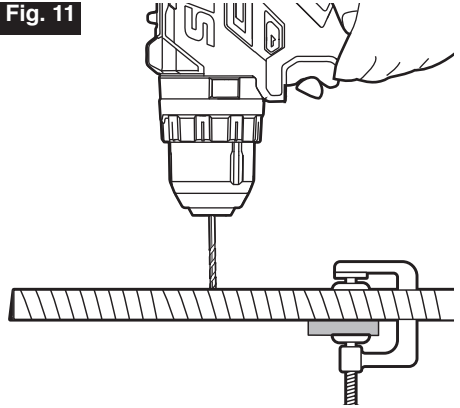
**Carbide-Tipped Bits:** Used for drilling stone, concrete, plaster, cement, and other unusually hard nonmetal materials. Use continuous, heavy feed pressure when using carbide-tipped bits.

## Drilling (Fig. 11)

**⚠ WARNING** Always wear safety goggles or safety glasses with side shields during power tool operation or when blowing dust. If the operation is dusty, also wear a dust mask.

- Check that the direction-of-rotation selector is at the correct setting (forward or reverse).
- Secure the material to be drilled in a vise or with clamps to keep it from turning as the drill bit rotates.
- Hold the drill firmly and place the bit at the point to be drilled.
- Squeeze the variable-speed trigger switch to start the drill.
- Move the drill bit into the workpiece, applying only enough pressure to keep the bit "biting". Do not force the drill or apply side pressure to elongate a hole. Let the tool do the work.
- When drilling hard, smooth surfaces, first use a center punch to mark the desired location of the hole. This will prevent the drill bit from slipping off-center as the hole is started.
- When drilling metals, use light oil on the drill bit to keep it from overheating. The oil will prolong the life of the bit and increase the drilling action.

Fig. 11





h. If the bit jams in the workpiece or if the drill stalls, stop the tool immediately. Remove the bit from the workpiece and determine the reason for jamming.

There are two rules for drilling hard materials. First, the harder the material, the greater the pressure you need to apply to the tool. Second, the harder the material, the slower the speed should be. If the hole to be drilled is fairly large, drill a smaller hole first, then enlarge to the required size with a larger bit; it's often faster in the long run than drilling a larger hole initially.

---

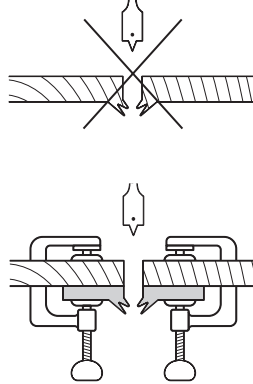
## Wood Drilling

For maximum performance, use high-speed steel or brad-point bits for wood drilling.

- Begin drilling at a very low speed to prevent the bit from slipping off the starting point.
- Increase speed as the drill bit bites into the material.
- When drilling "through" holes, place a block of wood behind the workpiece to prevent ragged or splintered edges on the back side of the workpiece (Fig. 12).

**NOTICE:** Bits may overheat unless they are reversed and pulled out frequently to clear chips from the flutes.

**Fig. 12**



---

## Metal Drilling

For maximum performance, use high-speed steel bits for metal or steel drilling.

- When drilling metals, use light oil on the drill bit to keep it from overheating. The oil will prolong the life of the bit and increase the drilling efficiency.
- Begin drilling at a very low speed to prevent the bit from slipping off the starting point.
- Maintain a speed and a pressure that allow cutting without overheating the bit.

Applying too much pressure will:

- Overheat the drill.
- Wear the bearings.
- Bend or burn bits.
- Produce off-center or irregularly shaped holes.

---


## Masonry Drilling

For maximum performance, use carbide-tipped masonry bits when drilling holes in brick, tile, concrete, etc.

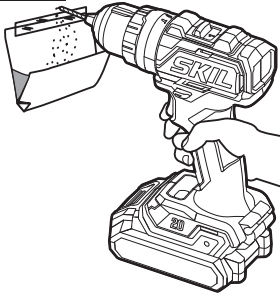
- Maintain a speed and a pressure that allow cutting without overheating the bit or drill.

Applying too much pressure will:

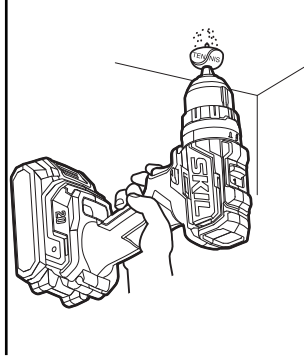
- Overheat the drill.
- Wear the bearings.
- Bend or burn bits.
- Produce off-center or irregular-shaped holes.
- Apply light pressure and medium speed for best results in brick.
- Apply additional pressure for hard materials such as concrete.

- You can make an improvised dust collector by taping a folded piece of paper (or a file folder) to a wall, to reduce the amount of dust when drilling in walls (Fig. 13).
- A tennis ball cut in half can serve as a dust collector when drilling in ceilings (Fig. 13).
- When drilling holes in tile, practice on a scrap piece to determine the best speed and pressure. To prevent the drill bit from skidding/sliding, first apply two pieces of masking tape to create an “X” shape over the intended drilling spot (Fig. 13). To prevent tile damage, do not run the tool in hammer drilling setting  .
- Begin drilling at a very low speed to prevent the bit from slipping off the starting point.

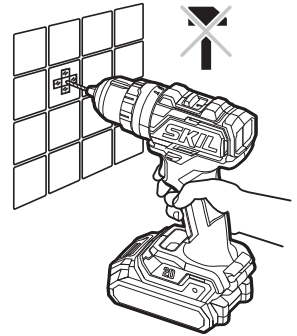
**Fig. 13**



Dust-free drilling in walls



Dust-free drilling in ceilings



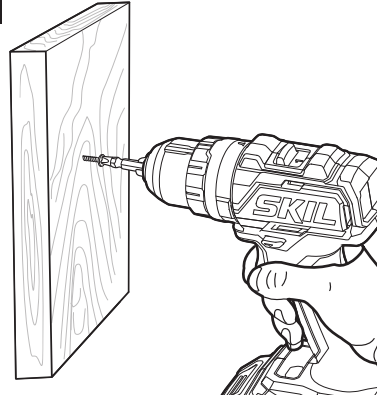
Drilling in tiles without skidding

## Driving Screws (Fig. 14)

Try to use standard-type screws for easy driving and improved grip.

- Install the correct driver bit.
- Ensure that the torque-adjustment ring is set to the most suitable setting. If in doubt, start with a low setting and gradually increase the setting as necessary. Do not change the torque setting when the tool is running.
- Use the correct speed range for the job and initially apply minimal pressure to the variable speed trigger switch. Increase the speed only when full control can be maintained.
- It is advisable to drill a pilot hole first. This hole should be slightly longer than the screw to be driven and just smaller than the shank diameter of the screw. The pilot hole will act as a guide for the screw and will also make tightening the screw less difficult. When screws are positioned close to an edge of the material, a pilot hole will also help to prevent splitting of the wood.
- Use a countersinking bit (sold separately) to accommodate the screw head so that it does not protrude from the surface.
- Keep sufficient pressure on the drill to prevent the bit from turning out of the screw head. The screw head can easily become damaged, making it difficult to drive home or remove the screw.
- To stop the drill/driver, release the trigger switch and allow the tool to come to a complete stop.

**Fig. 14**



## Automatic Spindle Lock

The automatic spindle lock allows you to use it as a manual screwdriver. You can give an extra twist to firmly tighten a screw, loosen a very tight screw, or continue working when the battery charge is depleted. For manual screwdriver purposes, the chuck is automatically locked when the tool is off.

## MAINTENANCE

**⚠ WARNING** To avoid serious personal injury, always remove the battery pack from the tool when cleaning or performing any maintenance.

### Service

**⚠ WARNING** Preventive maintenance performed by unauthorized personnel may result in misplacing of internal wires and components which could cause serious hazard. We recommend that all tool service be performed by a SKIL Factory Service Center or Authorized SKIL Service Station.

### General Maintenance

**⚠ WARNING** When servicing, use only identical replacement parts. Use of any other parts could create a hazard or cause product damage.

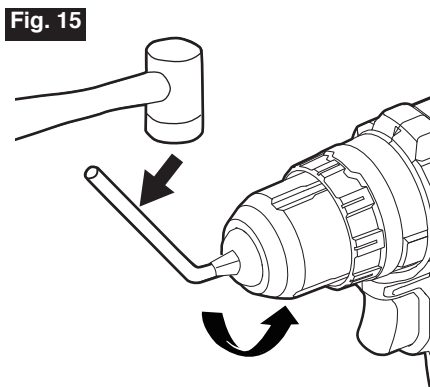
Periodically inspect the entire product for damaged, missing, or loose parts such as screws, nuts, bolts, caps, etc. Tighten securely all fasteners and caps and do not operate this product until all missing or damaged parts are replaced. Please contact customer service or an authorized service center for assistance.

### Chuck Removal (Fig. 15)

The keyless chuck can be removed and replaced.

- Lock the trigger switch by placing the direction-of-rotation selector in the center position.
- Open the chuck jaws.
- Use a screwdriver (not included) to remove the chuck screw by turning it in a clockwise direction.
- Insert a 5/16-in. or larger hex key (not included) into the chuck of the tool and securely tighten the chuck jaws around the hex key.
- Tap the hex key sharply with a mallet (not included) in a counterclockwise direction. This will loosen the chuck for easy removal.

**NOTICE:** The chuck screw has left-handed threads. Attach a new chuck to the spindle and tighten the chuck screw.



## Cleaning

The tool may be cleaned most effectively with compressed dry air.

**⚠ WARNING** **Always wear safety goggles when cleaning tools with compressed air.** The guard system, ventilation openings, and switch levers must be kept clean and free of foreign matter. Do not attempt to clean by inserting pointed objects through openings.

**⚠ WARNING** **Certain cleaning agents and solvents damage plastic parts.** Some of these are: gasoline, carbon tetrachloride, chlorinated cleaning solvents, ammonia and household detergents that contain ammonia.

## Storage

Store the tool indoors in a place that is inaccessible to children. Keep away from corrosive agents.

## TROUBLESHOOTING

Problem	Cause	Remedy
Tool will not start.	<ol style="list-style-type: none"><li>1. Battery pack is depleted.</li><li>2. Battery pack is not installed properly.</li><li>3. Burned out switch.</li></ol>	<ol style="list-style-type: none"><li>1. Charge the battery.</li><li>2. Confirm that the battery is locked and secured to the tool.</li><li>3. Have the switch replaced by an Authorized SKIL Service Center or Service Station.</li></ol>
Bit cannot be installed.	<ol style="list-style-type: none"><li>1. Chuck is not released.</li><li>2. Bit does not fit the chuck.</li></ol>	<ol style="list-style-type: none"><li>1. Release the chuck.</li><li>2. Use an appropriate bit or use a suitable adaptor.</li></ol>
Motor overheating	Ventilation slots are obstructed.	Clean and clear the ventilation slots. Do not cover the slots with hand during operation.
WORKLIGHT flashes rapidly.	The tool has stopped working to protect internal electronics.	Release the trigger switch, wait for the tool to cool down, then and start the tool again.
WORKLIGHT flashes slowly.	The battery charge is very low.	Charge the battery.

# LIMITED WARRANTY FOR SKIL CONSUMER TOOLS

## 5 YEAR LIMITED WARRANTY

Chervon North America, Inc. ("Seller") warrants to the original purchaser only, that all SKIL consumer TOOLS will be free from defects in material or workmanship for a period of five years from date of purchase, if original purchaser registers the product within 30 days from purchase. BATTERIES AND CHARGERS are warranted for 2 years. Product registration can be completed online at [www.Registermyskil.com](http://www.Registermyskil.com). Original purchasers should also retain their receipt as proof of purchase. THE FIVE-YEAR WARRANTY PERIOD FOR TOOLS IS CONDITIONED ON REGISTRATION OF THE PRODUCT WITHIN 30 DAYS OF PURCHASE.

If original purchasers do not register their product timely, the foregoing limited warranty will apply for a duration of three years for tools. All batteries and chargers will remain under the two-year limited warranty.

Notwithstanding the foregoing, if a SKIL consumer tool is used for industrial, professional or commercial purposes, the foregoing warranty will apply for a duration of ninety days, regardless of registration.

SELLER'S SOLE OBLIGATION AND YOUR EXCLUSIVE REMEDY under this Limited Warranty and, to the extent permitted by law, any warranty or condition implied by law, shall be the repair or replacement of parts, without charge, which are defective in material or workmanship and which have not been misused, carelessly handled, or repaired by persons other than Seller or Authorized Service Station. To make a claim under this Limited Warranty, you must return the complete product, transportation prepaid, to any SKIL Factory Service Center or Authorized Service Station. For Authorized SKIL Power Tool Service Stations, please visit [www.Registermyskil.com](http://www.Registermyskil.com) or call 1-877-SKIL-999 (1-877-754-5999).

THIS LIMITED WARRANTY DOES NOT APPLY TO ACCESSORY ITEMS SUCH AS CIRCULAR SAW BLADES, DRILL BITS, ROUTER BITS, JIGSAW BLADES, SANDING BELTS, GRINDING WHEELS AND OTHER RELATED ITEMS.

ANY IMPLIED WARRANTIES APPLICABLE TO A PRODUCT SHALL BE LIMITED IN DURATION EQUAL TO THE DURATION OF THE EXPRESS WARRANTIES APPLICABLE TO SUCH PRODUCT, AS SET FORTH IN THE FIRST PARAGRAPH ABOVE. SOME STATES IN THE U.S., SOME CANADIAN PROVINCES DO NOT ALLOW LIMITATIONS ON HOW LONG AN IMPLIED WARRANTY LASTS, SO THE ABOVE LIMITATION MAY NOT APPLY TO YOU.

IN NO EVENT SHALL SELLER BE LIABLE FOR ANY INCIDENTAL OR CONSEQUENTIAL DAMAGES (INCLUDING BUT NOT LIMITED TO LIABILITY FOR LOSS OF PROFITS) ARISING FROM THE SALE OR USE OF THIS PRODUCT. SOME STATES IN THE U.S. AND SOME CANADIAN PROVINCES DO NOT ALLOW THE EXCLUSION OR LIMITATION OF INCIDENTAL OR CONSEQUENTIAL DAMAGES, SO THE ABOVE LIMITATION OR EXCLUSION MAY NOT APPLY TO YOU.

THIS LIMITED WARRANTY GIVES YOU SPECIFIC LEGAL RIGHTS, AND YOU MAY ALSO HAVE OTHER RIGHTS WHICH VARY FROM STATE TO STATE IN THE U.S., PROVINCE TO PROVINCE IN CANADA AND FROM COUNTRY TO COUNTRY.

THIS LIMITED WARRANTY APPLIES ONLY TO PRODUCTS SOLD WITHIN THE UNITED STATES OF AMERICA, CANADA AND THE COMMONWEALTH OF PUERTO RICO. FOR WARRANTY COVERAGE WITHIN OTHER COUNTRIES, CONTACT YOUR LOCAL SKIL DEALER OR IMPORTER.

# TABLE DES MATIÈRES

<b>Avertissements de sécurité généraux relatifs aux outils électriques</b> .....	<b>23-25</b>
<b>Avertissements de sécurité relatifs aux marteaux perforateurs</b> .....	<b>25-26</b>
<b>Symboles</b> .....	<b>27-30</b>
<b>FAMILIARISEZ-VOUS AVEC VOTRE MARTEAU PERFORATEUR</b> .....	<b>31</b>
<b>SPÉCIFICATIONS</b> .....	<b>32</b>
<b>Mode d'emploi</b> .....	<b>32-41</b>
<b>Entretien</b> .....	<b>41-42</b>
<b>Dépannage</b> .....	<b>42</b>
<b>Garantie limitée de l'outil sans fil SKIL</b> .....	<b>43-44</b>

## **⚠ AVERTISSEMENT**

- La poussière créée pendant le ponçage, le sciage, le polissage, le perçage et d'autres activités liées à la construction peut contenir des produits chimiques reconnus par l'État de la Californie comme étant la cause de cancer, d'anomalies congénitales et d'autres problèmes liés aux fonctions reproductrices. Voici des exemples de ces produits chimiques :
  - du plomb provenant de peintures à base de plomb;
  - de la silice cristalline provenant de la brique, du ciment ou d'autres matériaux de maçonneries;
  - de l'arsenic et du chrome provenant du bois d'œuvre traité avec un produit chimique.
- Les risques liés à l'exposition à ces produits varient selon le nombre de fois où vous pratiquez ces activités. Pour réduire votre exposition à ces produits chimiques :
  - travaillez dans un endroit bien ventilé;
  - munissez-vous de l'équipement de sécurité approuvé tel que des masques antipoussières conçus spécialement pour filtrer les particules microscopiques;
  - évitez l'exposition prolongée à la poussière causée par le ponçage mécanique, le sciage, le polissage, le perçage et d'autres activités liées à la construction; Portez un équipement de protection et lavez à l'eau et au savon toutes les parties exposées. Les poussières pénétrant dans votre bouche ou dans vos yeux et les poussières se déposant sur votre peau peuvent causer l'absorption de produits chimiques dangereux.

# AVERTISSEMENTS DE SÉCURITÉ GÉNÉRAUX RELATIFS AUX OUTILS ÉLECTRIQUES

**⚠ AVERTISSEMENT** Lisez tous les avertissements et toutes les instructions, illustrations et spécifications fournis avec cet outil électrique. Le non-respect des consignes de sécurité ci-dessous peut occasionner un choc électrique, un incendie ou des blessures graves.

## CONSERVEZ TOUS LES AVERTISSEMENTS ET LES INSTRUCTIONS AFIN DE POUVOIR VOUS YRÉFÉRER ULTÉRIEUREMENT.

L'expression « outil électrique » utilisée dans les avertissements correspond aux outils électriques alimentés sur secteur (à fil) ou alimentés par piles (sans fil).

### Mesures de sécurité dans l'aire de travail

**Gardez l'aire de travail propre et bien éclairée.** Une aire de travail sombre ou en désordre augmente les risques d'accident.

**N'utilisez pas d'outils électriques dans un endroit présentant un risque d'explosion, par exemple en présence de liquides, de gaz ou de poussières inflammables.** Les outils électriques produisent des étincelles susceptibles d'enflammer ces poussières ou ces vapeurs.

**Maintenez les enfants et les observateurs à l'écart lorsque vous manipulez l'outil électrique.** Une distraction peut vous faire perdre la maîtrise de l'outil.

### Consignes de sécurité relatives à l'électricité

**Les fiches des outils électriques doivent correspondre à la prise. Ne modifiez jamais la fiche de quelque façon que ce soit.** N'utilisez pas d'adaptateur avec les outils électriques mis à la terre. L'utilisation de fiches non modifiées dans les prises compatibles réduit les risques de choc électrique.

**Évitez de toucher à des surfaces mises à la terre, par exemple un tuyau, un radiateur, une cuisinière ou un réfrigérateur.** Le contact du corps avec une surface mise à la terre augmente les risques de choc électrique.

**N'exposez pas les outils électriques à la pluie ni à tout environnement humide.** L'infiltration d'eau dans un outil électrique augmente les risques de choc électrique.

**N'utilisez pas le cordon d'alimentation de façon à l'endommager. Ne transportez jamais un outil électrique en le tenant par son cordon et ne tirez jamais sur le cordon pour le débrancher. Tenez le cordon d'alimentation éloigné des sources de chaleur, de l'huile, des objets coupants et des pièces mobiles.** Les risques de choc électrique sont plus élevés si le cordon d'alimentation est endommagé ou emmêlé.

**Lorsque vous utilisez un outil électrique à l'extérieur, utilisez une rallonge conçue pour être utilisée à l'extérieur.** Ce type de rallonge réduit les risques de choc électrique.

**Si vous n'avez d'autre choix que d'utiliser un outil électrique dans un endroit humide, utilisez une alimentation protégée par un disjoncteur différentiel.** L'utilisation d'un disjoncteur différentiel réduit les risques de choc électrique.

### Sécurité personnelle

**Soyez vigilant, prêtez attention à ce que vous faites et usez de votre jugement lorsque vous utilisez un outil électrique. N'utilisez pas un outil électrique lorsque vous êtes fatigué ou sous l'effet de drogues, d'alcool ou de médicaments.** Un moment d'inattention pendant que vous utilisez des outils électriques peut occasionner des blessures graves.

**Utilisez un équipement de protection. Portez toujours des lunettes de sécurité.** Le port d'équipement de protection, comme un masque antipoussières, des chaussures de sécurité antidérapantes, un casque de protection et des protecteurs auditifs, lorsque les conditions l'exigent, réduit les risques de blessures.

**Évitez tout démarrage involontaire. Assurez-vous que l'interrupteur est sur la position d'arrêt avant de brancher l'outil sur une source d'alimentation ou un bloc-piles, de ramasser l'outil ou de le transporter.** Transporter les outils électriques avec le doigt sur la gâchette ou brancher les outils lorsque l'interrupteur est à la position de marche augmente les risques d'accident.

**Enlevez toute clé de serrage ou clé à molette avant de mettre l'outil électrique en marche.** Une clé de réglage oubliée sur une pièce rotative de l'outil électrique peut occasionner des blessures graves.

**Ne vous étirez pas pour étendre votre portée. Gardez une posture sécuritaire et un bon équilibre en tout temps.** Cela vous permet de mieux maîtriser l'outil électrique lorsque des situations inattendues se présentent.

**Habillez-vous de manière appropriée. Ne portez pas de vêtements amples ni de bijoux. Gardez vos cheveux et vos vêtements loin des pièces mobiles.** Les vêtements amples, les bijoux et les cheveux longs risquent de se prendre dans les pièces en mouvement.

**Si un dispositif permet de raccorder un dépoussiéreur, assurez-vous que celui-ci est branché et utilisé de manière appropriée.** L'emploi d'un dépoussiéreur contribue à réduire les dangers liés à la poussière.

**Même si vous connaissez parfaitement ces outils parce que vous les utilisez souvent, soyez vigilant et respectez les principes de sécurité.** Il suffit d'être négligent une fraction de seconde pour se blesser gravement.

## Utilisation et entretien d'un outil électrique

**Ne forcez pas l'outil électrique. Utilisez l'outil électrique approprié à la tâche que vous souhaitez accomplir.** L'outil électrique adéquat vous permettra de mieux accomplir le travail avec plus de sécurité et au rythme pour lequel il a été conçu.

**N'utilisez pas l'outil électrique si l'interrupteur ne permet pas de le mettre en marche et de l'arrêter.** Tout outil qui ne peut pas être contrôlé par l'interrupteur est dangereux et doit être réparé.

**Débranchez la fiche de la prise ou retirez, si possible, le bloc-piles de l'outil électrique avant d'effectuer des réglages, de changer d'accessoire ou de le ranger.** De telles mesures de sécurité préventives réduisent les risques de mise en marche accidentelle de l'outil électrique.

**Rangez l'outil électrique à l'arrêt hors de la portée des enfants et n'autorisez pas une personne ne sachant pas s'en servir ou n'ayant pas lu ces instructions à l'utiliser.** Les outils électriques sont dangereux s'ils se retrouvent entre les mains d'utilisateurs qui ne savent pas s'en servir.

**Entretenez les outils électriques et les accessoires. Vérifiez les pièces mobiles pour vous assurer qu'elles ne sont pas désalignées, enrayées, brisées, ou dans un état qui pourrait nuire à leur fonctionnement. Si l'outil électrique est endommagé, faites-le réparer avant de l'utiliser.** De nombreux accidents sont provoqués par des outils électriques mal entretenus.

**Maintenez les outils de découpe affûtés et propres.** Des outils tranchants bien entretenus et dont les lames sont affûtées risquent moins de se bloquer et sont plus faciles à maîtriser.

**Utilisez l'outil électrique, les accessoires, les embouts et les autres éléments conformément aux présentes instructions, en tenant compte des conditions de travail et du travail à effectuer.** L'utilisation de l'outil électrique à des fins autres que celles pour lesquelles il a été conçu pourrait entraîner une situation dangereuse.



**Les poignées et autres surfaces de préhension doivent toujours être sèches, propres et exemptes d'huile ou de graisse.** Les poignées et autres surfaces de préhension glissantes ne permettent pas de manipuler ni de contrôler l'outil de façon sécuritaire en cas de situations inattendues.

## **Utilisation et entretien d'un outil alimenté par un bloc-piles**

**Rechargez uniquement le bloc-piles au moyen du chargeur approuvé par le fabricant.**

Un chargeur conçu pour un type de bloc-piles peut causer un incendie s'il est utilisé avec un autre bloc-piles.

**Utilisez les outils électriques uniquement avec les blocs-piles désignés.** L'utilisation de tout autre bloc-piles peut constituer un risque de blessure et d'incendie.

**Lorsque vous n'utilisez pas le bloc-pile, conservez-le à l'écart d'autres objets métalliques, comme des trombones, des pièces de monnaie, des clés, des clous, des vis et d'autres petits objets métalliques qui peuvent connecter une borne à une autre.** Un court-circuit entre les bornes du bloc-piles peut occasionner des brûlures ou un incendie.

**Dans de mauvaises conditions, un liquide peut être éjecté du bloc-pile; évitez tout contact avec celui-ci. En cas de contact accidentel, rincez à grande eau. Si vos yeux entrent en contact avec ce liquide, consultez un médecin.** Le liquide provenant des piles peut causer de l'irritation ou des brûlures.

**N'utilisez pas un bloc-piles ou un outil endommagé ou modifié.** Les blocs-piles modifiés ou endommagés peuvent fonctionner de façon imprévisible et présenter un risque d'incendie, d'explosion ou de blessures.

**N'exposez pas un bloc-piles ou un outil à un feu ou à une température excessive.** L'exposition au feu ou à une température supérieure à 129,4 °C peut provoquer une explosion.

**Suivez toutes les instructions pour le chargement et ne chargez pas le bloc-piles ou l'appareil en dehors de la plage de température spécifiée dans les instructions.** Une recharge inadéquate ou effectuée à des températures en dehors de la plage spécifiée peut endommager le bloc-piles et augmenter le risque d'incendie.

## **Entretien**

**Demandez à un technicien qualifié qui utilise seulement des pièces de rechange identiques aux pièces d'origine d'effectuer l'entretien de votre outil électrique.** Vous vous assurez ainsi de respecter les consignes de sécurité de l'outil électrique.

**Ne réparez jamais un bloc-piles endommagé.** Seuls le fabricant et les fournisseurs de services autorisés peuvent effectuer la réparation d'un bloc-piles.

# AVERTISSEMENTS DE SÉCURITÉ RELATIFS AUX PERCEUSES À PERCUSSION

## Consignes de sécurité pour toutes les utilisations :

**Portez des protecteurs d'oreilles lorsque vous utilisez une perceuse à percussion.** Une exposition au bruit peut entraîner une perte auditive.

**Tenez l'outil électrique par sa poignée isolée lorsque l'accessoire tranchant est susceptible d'entrer en contact avec des fils dissimulés ou avec son propre cordon d'alimentation.** Si un accessoire tranchant entre en contact avec un fil sous tension, les parties métalliques exposées de l'outil électrique peuvent donner un choc électrique à l'utilisateur.

## Consignes de sécurité pour l'utilisation de longs forets :

**Ne jamais faire fonctionner l'outil à une vitesse supérieure à la vitesse maximale du foret.** À des vitesses plus élevées, le foret pourrait se tordre si vous le laissez tourner librement, sans qu'il soit en contact avec la pièce travaillée et cela pourrait vous causer des blessures.

**Commencez toujours le perçage à basse vitesse, en gardant le foret en contact avec la pièce travaillée.** À des vitesses plus élevées, le foret pourrait se tordre si vous le laissez tourner librement, sans qu'il soit en contact avec la pièce travaillée et cela pourrait causer des blessures.





**Appliquez seulement une pression en ligne directe avec le foret et n'appliquez pas de pression excessive.** Les forets peuvent se tordre et causer un bris ou une perte de contrôle, ce qui pourrait causer des blessures.

# SYMBOLES

## Symboles de sécurité

L'objectif des symboles de sécurité est d'attirer votre attention sur les dangers potentiels. Vous devez examiner attentivement et bien comprendre les symboles de sécurité et les explications qui les accompagnent. Les symboles d'avertissement en tant que tels n'éliminent pas le danger. Les consignes et les avertissements qui y sont associés ne remplacent en aucun cas les mesures préventives adéquates.

**⚠ AVERTISSEMENT** Assurez-vous de lire et de comprendre toutes les consignes de sécurité présentées dans le présent guide d'utilisation, notamment toutes les consignes de sécurité indiquées par « **DANGER** », « **AVERTISSEMENT** » et « **ATTENTION** » avant d'utiliser cet outil. Le fait de ne pas respecter toutes les consignes de sécurité ci-dessous peut causer un choc électrique, un incendie ou des blessures graves.

Les définitions ci-dessous décrivent le degré de gravité pour chaque mot-indicateur. Veuillez lire ce manuel et prêter attention à ces symboles.	
	Voici le pictogramme d'alerte de sécurité. Il sert à vous indiquer les risques potentiels de blessures. Respectez toutes les consignes de sécurité associées à ce pictogramme pour éviter les risques de blessures ou de mort.
	La mention DANGER indique un danger imminent qui, s'il n'est pas évité, causera des blessures graves ou la mort.
	La mention AVERTISSEMENT indique un risque pouvant entraîner des blessures graves ou la mort s'il n'est pas prévenu.
	La mention ATTENTION, utilisée avec le symbole d'alerte de sécurité, indique un risque potentiel qui, s'il n'est pas éliminé, provoquera des blessures mineures ou moyennement graves.

## Messages d'information et de prévention des dommages

Ces messages contiennent des renseignements importants à l'intention de l'utilisateur ainsi que des consignes à respecter. Le non-respect de celles-ci peut occasionner des dommages à l'équipement ou d'autres dommages matériels. Chaque message est précédé du mot « AVIS », comme dans l'exemple ci-dessous :









**AVIS:** Ne pas suivre ces consignes pourrait occasionner des dommages à l'équipement ou d'autres dommages matériels.








**⚠ AVERTISSEMENT** L'utilisation de tout outil électrique peut entraîner la projection de corps étrangers dans les yeux et ainsi causer des lésions oculaires graves. Lorsque vous utilisez un outil électrique, portez toujours des lunettes de sécurité pourvues d'écrans latéraux et d'un écran facial panoramique, au besoin. Nous recommandons le port d'un masque de sécurité panoramique par-dessus les lunettes ou de lunettes de sécurité standard avec écrans latéraux. Portez toujours des protecteurs oculaires conformes à la norme ANSI Z87.1.

## SYMBOLES (SUITE)







**IMPORTANT:** Les symboles suivants peuvent figurer sur votre outil. Familiarisez-vous avec eux et apprenez leur signification. En comprenant ces symboles, vous serez en mesure de faire fonctionner cet outil de façon adéquate et sécuritaire.

Symbole	Nom	Forme au long et explication
V	Volts	Tension (possible)
A	Ampère	Courant
Hz	Hertz	Fréquence (cycles par seconde)
W	Watt	Puissance
kg	Kilogrammes	Poids
min	Minutes	Durée
s	Secondes	Durée
Wh	Watheures	Capacité de la pile
Ah	Ampères-heures	Capacité de la pile
Ø	Diamètre	Taille des forets, des meules, etc.
$n_0$	Vitesse à vide	Vitesse de rotation à vide
n	Vitesse nominale	Vitesse maximale atteignable
.../min	Tours ou va-et-vient par minute	Tours, coups, vitesse périphérique, de la course, etc. par minute
0	Position d'arrêt	Vitesse nulle, couple nul...
1,2,3,... I,II,III,	Réglages du sélecteur	Réglages de vitesse, de couple ou de position. Plus le chiffre est élevé, plus la vitesse est rapide
	Sélecteur à réglages infinis avec mode d'arrêt	La vitesse augmente à partir du réglage 0
	Flèche	L'activation se fait dans le sens de la flèche
	Courant alternatif	Type de courant ou caractéristique de courant
	Courant continu	Type or a characteristic of current
	Courant alternatif ou continu	Type or a characteristic of current
	Outil de catégorie II	Désigne les outils de construction à double isolation.
	Borne de mise à la terre	Borne de mise à la terre
	Li-ion RBRC seal	Sceau du programme de recyclage des piles au lithium-ion

Symbole	Nom	Forme au long et explication
	<p>Sceau du programme de recyclage des piles au nickel-cadmium</p>	<p>Désigne le programme de recyclage des piles au nickel-cadmium</p>
	<p>Symbole de lecture du manuel</p>	<p>Invite l'utilisateur à lire le manuel</p>
	<p>Symbole du port de lunettes de sécurité</p>	<p>Lorsque vous utilisez ce produit, portez toujours des lunettes de protection ou de sécurité à écrans latéraux et un masque de protection complet.</p>
	<p>Utilisez toujours les deux mains.</p>	<p>Alerte l'utilisateur pour lui demander de toujours tenir l'outil avec les deux mains.</p>
	<p>N'utilisez pas le dispositif de protection pour les opérations de tronçonnage.</p>	<p>Alerte l'utilisateur pour lui demander de ne pas utiliser le dispositif de protection pour les opérations de tronçonnage.</p>

## SYMBOLES ((RENSEIGNEMENTS EN MATIÈRE D'HOMOLOGATION))

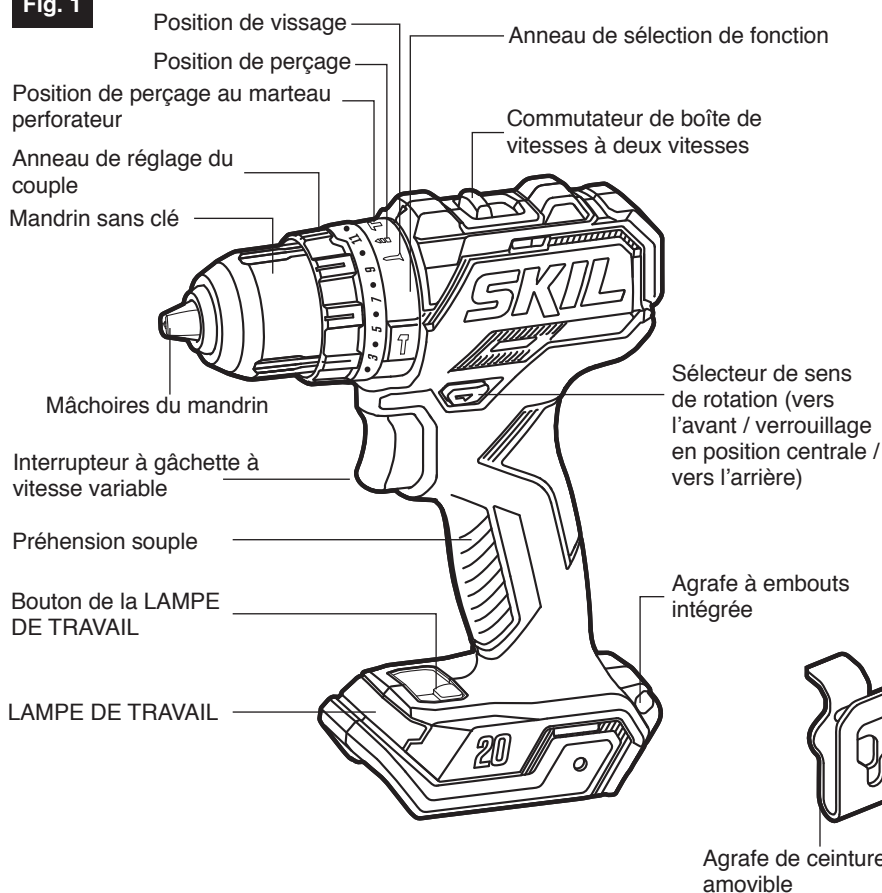
**IMPORTANT:** Les symboles suivants peuvent figurer sur votre outil. Familiarisez-vous avec eux et apprenez leur signification. En comprenant ces symboles, vous serez en mesure de faire fonctionner cet outil de façon adéquate et sécuritaire.

Symbole	Forme au long et explication
	<p>Ce symbole indique que cet outil est répertorié par Underwriters Laboratories.</p>
	<p>Ce symbole indique que cet outil est reconnu par Underwriters Laboratories.</p>
	<p>Ce symbole indique que cet outil est répertorié par Underwriters Laboratories, selon les normes américaines et canadiennes.</p>
	<p>Ce symbole indique que cet outil est répertorié par l'Association canadienne de normalisation.</p>
	<p>Ce symbole indique que cet outil est répertorié par l'Association canadienne de normalisation et qu'il est conforme aux normes américaines et canadiennes.</p>
	<p>Ce symbole indique que cet outil est répertorié par Intertek Testing et qu'il est conforme aux normes américaines et canadiennes.</p>

# FAMILIARISEZ-VOUS AVEC VOTRE MARTEAU PERFORATEUR.

## Marteau perforateur sous-compact sans balais de 20 V

**Fig. 1**



## SPÉCIFICATIONS

Tension nominale	20 V c.c.
Vitesse à vide	0-500 / 0-1 800/min (tr/min)
Taux d'impact	0-7 500 / 0-27 000 /min (IPM)
Capacité du mandrin	13 mm / 1/2 po
Réglages de l'embrayage :	17 positions + mode de perçage + mode de martelage
Température de fonctionnement recommandée	-10 – 40° C / 14 – 104° F
Température de stockage recommandée	0 – 40° C / 32 – 104° F

## MODE D'EMPLOI

**⚠ AVERTISSEMENT** Pour réduire les risques d'incendie, de blessures corporelles et de détérioration de l'outil découlant d'un court-circuit, ne plongez jamais l'outil, le bloc-piles ou le chargeur dans un liquide et ne laissez aucun liquide s'écouler sur ceux-ci. Les liquides corrosifs ou conducteurs, tels que l'eau de mer, certains produits chimiques industriels, l'eau de javel, des produits contenant de l'eau de javel, etc., peuvent causer un court-circuit.

**⚠ AVERTISSEMENT** S'il y a des pièces manquantes ou endommagées, ne tentez pas d'utiliser cet article tant que ces pièces n'auront pas été remplacées. L'utilisation de cet article avec des pièces endommagées ou manquantes peut causer des blessures graves.

**⚠ AVERTISSEMENT** Ne tentez pas de modifier cette perceuse-visseuse ou de créer des accessoires qui ne sont pas recommandés pour cette dernière. Toute modification est considérée comme un usage inapproprié et pourrait occasionner des risques allant jusqu'à des blessures graves.

**⚠ AVERTISSEMENT** Pour éviter tout démarrage accidentel pouvant causer des blessures graves, retirez toujours le bloc-piles de l'outil lors de l'assemblage des pièces, des réglages, du nettoyage ou de la maintenance.

Utilisez cette perceuse-visseuse sans fil uniquement avec les blocs-piles et les chargeurs indiqués ci-dessous :

Battery Pack					Charger	
2Ah	2Ah	2.5Ah	4Ah	5Ah		
SKIL BY519701	SKIL BY519702	SKIL BY519703	SKIL BY519601	SKIL BY519603	SKIL SC535801	SKIL QC536001
					SKIL QC5359B-02	SKIL SC5358B-02

**AVIS:** Veuillez consulter le manuel relatif aux blocs-piles et aux chargeurs pour davantage de détails au sujet du fonctionnement de l'outil.

### Pour attacher/détacher le bloc-piles (Fig. 2)

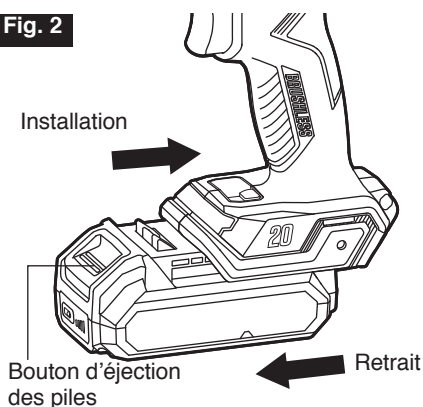
Verrouillez l'interrupteur à gâchette de l'outil en position d'arrêt en plaçant le sélecteur de sens de rotation (vers l'avant / verrouillage en position centrale / vers l'arrière) dans la position centrale.

#### Pour attacher le bloc-piles:

Alignez la nervure surélevée du bloc-piles sur les rainures de l'outil, puis faites glisser le bloc-piles sur l'outil.

**AVIS:** Lorsque vous placez le bloc-piles sur l'outil, assurez-vous que la nervure surélevée sur le bloc-piles s'aligne sur la rainure à l'intérieur de l'outil et que les loquets de verrouillage se ferment correctement. Une fixation incorrecte du bloc-piles peut endommager des composants internes.

Fig. 2





### Pour détacher le bloc-piles:

Appuyez sur le bouton d'éjection du bloc-piles, qui est situé à l'avant du bloc-piles, pour éjecter le bloc-piles. Tirez sur le bloc-piles pour le faire sortir et retirez-le de l'outil.

**⚠ AVERTISSEMENT** Les outils alimentés par des piles sont toujours prêts à fonctionner. Par conséquent, le sélecteur de sens de rotation (vers l'avant / verrouillage en position centrale / vers l'arrière) doit toujours être verrouillé dans la position centrale lorsque l'outil n'est pas utilisé ou lorsque vous le transportez à votre côté.

### Sélecteur de sens de rotation (vers l'avant / verrouillage en position centrale / vers l'arrière) (Fig. 3)

**⚠ AVERTISSEMENT** Après avoir fini d'utiliser l'outil, verrouillez le sélecteur de sens de rotation dans la position centrale (arrêt) pour prévenir tout risque de mise en marche accidentelle et de blessure possible.

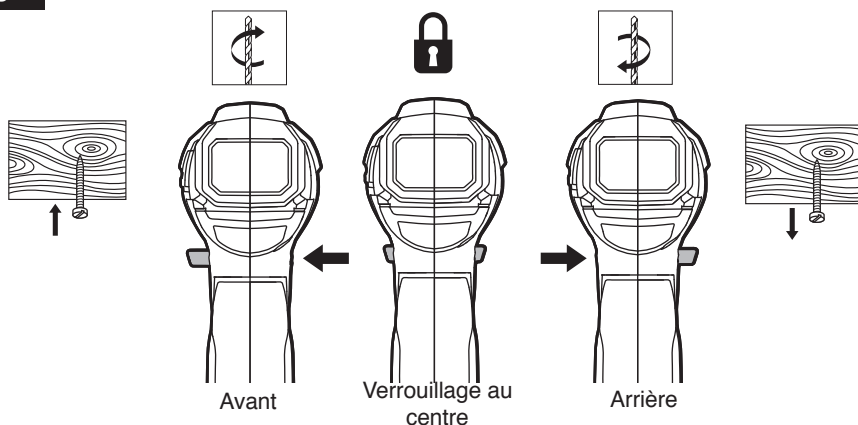
Votre outil est pourvu d'un sélecteur de sens de rotation, qui est situé au-dessus de l'interrupteur à gâchette. Ce sélecteur est utilisé pour changer le sens de rotation de l'embout et pour verrouiller la gâchette dans la position centrale (arrêt).

- Positionnez le sélecteur de sens de rotation à l'extrême-gauche de l'outil pour percer des trous ou enfoncer des vis.
- Positionnez le sélecteur de sens de rotation à l'extrême-droite de l'outil pour retirer des vis.
- Positionnez l'interrupteur dans la position d'arrêt (verrouillage en position centrale) pour aider à réduire le risque de démarrage accidentel quand l'outil n'est pas utilisé.

**AVIS:** Pour prévenir tout risque d'endommagement de l'engrenage, attendez toujours que le marteau perforateur s'arrête complètement avant de changer le sens de rotation.

**REMARQUE:** Le marteau perforateur ne fonctionnera que si le sélecteur de sens de rotation est engagé à fond vers la gauche ou vers la droite.

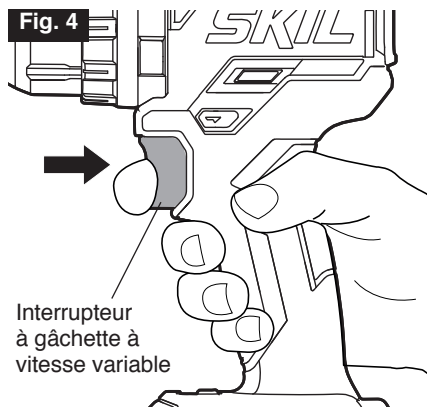
**Fig. 3**



## Interrupteur à gâchette à vitesse variable (Fig. 4)

Votre outil est muni d'un interrupteur à gâchette à vitesse variable. L'outil peut être mis en marche ou arrêté en appuyant sur l'interrupteur à gâchette à vitesse variable ou en relâchant cet interrupteur.

L'interrupteur à gâchette à vitesse variable produit une vitesse supérieure avec une pression accrue sur la gâchette et une vitesse inférieure avec une pression réduite sur la gâchette.



## Interrupteur de la boîte de vitesses à deux vitesses (Fig. 5)

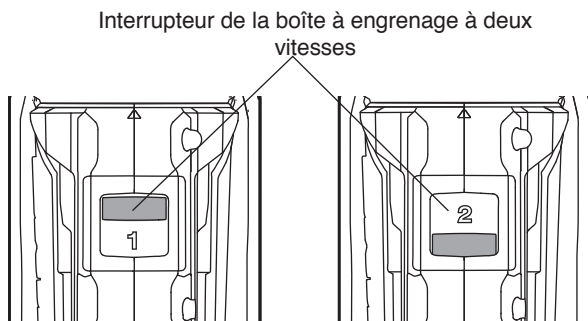
Votre outil est équipé d'une boîte d'engrenages à deux vitesses qui est conçue pour fonctionner à une vitesse basse ou haute. L'interrupteur coulissant situé sur le dessus de l'outil permet de sélectionner la vitesse basse (marquée « 1 ») ou haute (marquée « 2 »).

La vitesse basse (1) fournit un couple plus élevé et une vitesse plus basse appropriés pour les applications difficiles ou pour enfoncer des vis, percer des trous de grand diamètre ou tarauder des filets. Utilisez la vitesse basse pour commencer à faire des trous en l'absence de pointeau, pour percer des métaux ou du plastique, pour percer de la céramique ou dans des applications nécessitant un couple plus élevé.

La vitesse haute (2) fournit un couple plus faible et des vitesses plus rapides pour les travaux de perçage plus légers. La vitesse haute est plus appropriée pour percer le bois et les matériaux composites à base de bois, et pour utiliser des accessoires abrasifs et pour le polissage.



**AVIS:** Pour prévenir tout risque d'endommagement de l'engrenage, attendez toujours que l'outil s'arrête complètement avant de changer entre la vitesse basse (1) et la vitesse haute (2).


Fig. 5



## Sélecteur de fonction et bague de réglage du couple (Fig. 6)

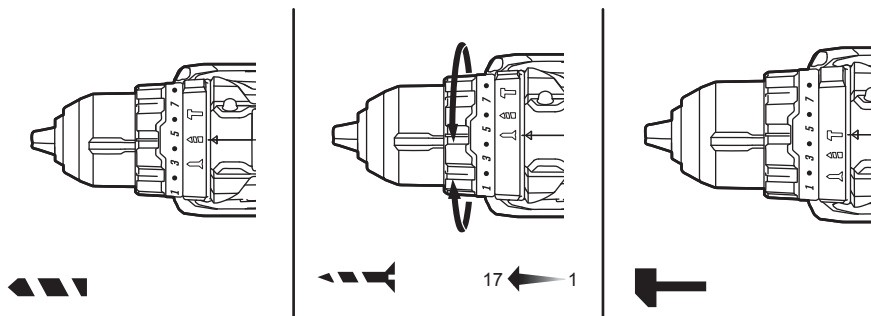
Votre outil est équipé d'un sélecteur de fonctions pour des applications variées. Déplacez le sélecteur en fonction des besoins de votre tâche.

Le réglage de la fonction de perçage  verrouillera l'embrayage pour permettre le perçage (mais pas au marteau perforateur) et le vissage pour les applications nécessitant beaucoup de force. Le réglage de la fonction de vissage  optimise l'outil pour le vissage.

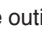
Le réglage de la fonction de perçage au marteau perforateur  verrouillera l'embrayage afin de ne permettre que la fonction de perçage au marteau perforateur.

**AVIS:** N'utilisez pas le réglage en mode de perçage au marteau perforateur pour percer du bois, du métal, de la céramique et du plastique afin de ne pas risquer d'endommager la mèche/l'embout de vissage.

Fig. 6



### **⚠ MISE EN GARDE** N'effectuez pas de réglages du couple et ne changez pas de fonction pendant que l'outil est en marche.

Votre outil dispose également de 17 réglages d'embrayage pour l'opération de vissage . Le couple de sortie augmentera au fur et à mesure que vous ferez tourner l'anneau de l'embrayage depuis 1 vers 17. Lors du vissage d'une vis, essayez d'abord la position de couple 1, et augmentez ensuite jusqu'à ce que le couple souhaité soit atteint.

Le réglage approprié dépend de la tâche et du type d'embout, de l'élément de fixation et du matériau sur lequel vous allez travailler. En général, utilisez un couple supérieur pour les grandes vis. Si le couple est trop élevé, les vis risqueraient d'être endommagées ou de se casser. Pour les opérations délicates, comme le retrait d'une vis partiellement dénudée, utilisez un réglage de couple faible.

## LAMPE DE TRAVAIL (Fig. 7)

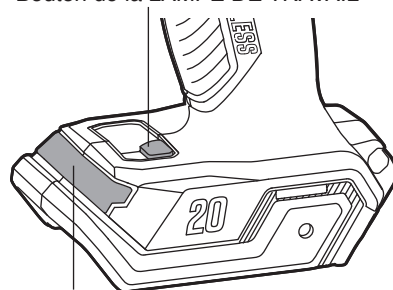
Votre outil est pourvu d'un système d'éclairage par une LAMPE DE TRAVAIL, qui est située sur la base de l'outil. Ceci fournit un éclairage supplémentaire sur la surface de l'ouvrage à usiner pour permettre une utilisation dans des zones faiblement éclairées.

La LAMPE DE TRAVAIL s'allume par défaut lorsque l'outil est mis sous tension OU si le bouton de la LAMPE DE TRAVAIL est enfoncé sans que l'outil soit mis sous tension.

La LAMPE DE TRAVAIL peut être éteinte manuellement en appuyant sur le bouton de la LAMPE DE TRAVAIL lorsque l'outil ne fonctionne pas.

Fig. 7

Bouton de la LAMPE DE TRAVAIL



LAMPE DE TRAVAIL

**REMARQUE :** La LAMPE DE TRAVAIL s'éteint automatiquement après 10 secondes d'inactivité si on l'allume en appuyant sur l'interrupteur à gâchette de réglage de la vitesse. La LAMPE DE TRAVAIL s'éteint automatiquement après 10 minutes d'inactivité si on l'allume en appuyant sur le bouton de la LAMPE DE TRAVAIL.

**REMARQUE :** Pour des raisons de sécurité, le bouton de la LAMPE DE TRAVAIL est désactivé lorsque l'outil est en marche.

Si l'outil et/ou le bloc-piles sont surchargés ou trop chauds, les capteurs internes éteignent l'outil et la LAMPE DE TRAVAIL clignote alors rapidement. Reposez l'outil pendant un moment ou placez l'outil et le bloc-piles séparément sous un flux d'air pour les refroidir.


La LAMPE DE TRAVAIL clignotera plus lentement pour indiquer que le bloc-piles est presque déchargé. Rechargez le bloc-piles.

## Installation et retrait des embouts (Fig. 8a & 8b)

**⚠ AVERTISSEMENT** N'utilisez pas la puissance du marteau perforateur pendant que vous saisissez le mandrin pour desserrer ou serrer l'embout. Il existe un risque de brûlure en conséquence du frottement ou de blessure à la main si vous tentez de saisir un mandrin en train de tourner.

**⚠ AVERTISSEMENT** N'utilisez pas d'embout dont la tige est endommagée.

Votre outil est équipé d'un mandrin sans clé servant à serrer ou à relâcher les mèches/ embouts dans les mâchoires du mandrin. La flèche sur le mandrin indique le sens dans lequel il faut faire tourner le corps du mandrin pour serrer (« CLOSE ») ou relâcher (« OPEN ») les mâchoires du mandrin sur la mèche/l'embout.

- Verrouillez l'interrupteur à gâchette de l'outil en position d'arrêt en plaçant le sélecteur de sens de rotation (vers l'avant/verrouillage en position centrale/vers l'arrière) dans la position centrale.
- Retirez le bloc-piles et sélectionnez la position de perçage «  ».

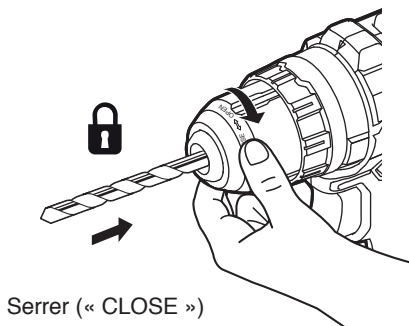
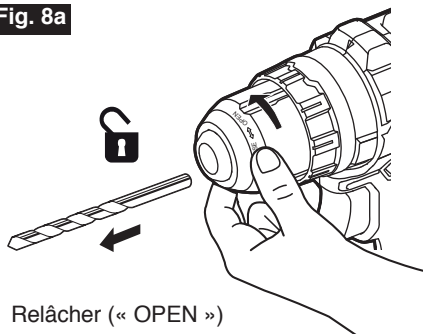
### Installation de l'embout:

- Faites tourner le corps du mandrin dans le sens contraire des aiguilles d'une montre, en regardant depuis l'extrémité du mandrin, pour ouvrir le mandrin jusqu'à approximativement le diamètre de l'embout.
- Insérez un embout propre jusqu'aux cannelures du foret pour les petits embouts ou aussi loin que cela sera possible pour les grands embouts. Fermez le mandrin en faisant tourner le corps du mandrin dans le sens des aiguilles d'une montre et en serrant aussi fort que possible à la main (Fig. 8a).

### Retrait de l'embout:

- Faites tourner le corps du mandrin dans le sens contraire des aiguilles d'une montre, en regardant depuis l'extrémité du mandrin, pour ouvrir le mandrin.
- Retirez l'embout.

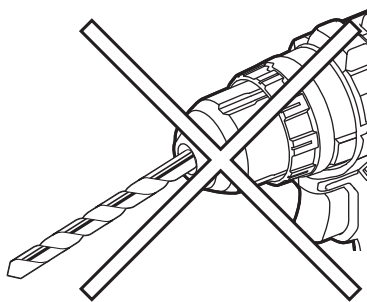
**Fig. 8a**



**⚠ AVERTISSEMENT** Assurez-vous que vous

insérez la mèche tout droit dans les mâchoires du mandrin. Ne serrez pas le mandrin comme illustré à la Fig. 8b après avoir inséré la mèche de perçage dans les mâchoires du mandrin à un angle. Ceci pourrait causer l'éjection du foret et entraîner ainsi des blessures graves ou endommager le mandrin.

**Fig. 8b**



**⚠ AVERTISSEMENT** L'embout peut être très chaud après une utilisation prolongée. Utilisez des gants de protection lorsque vous retirez l'embout de l'outil, ou attendez qu'il ait refroidi suffisamment.

### Agrafe de ceinture amovible (Fig. 9)

Votre outil est muni d'une agrafe de ceinture amovible qui peut être positionnée sur l'un quelconque des côtés de l'outil pour permettre un transport pratique.

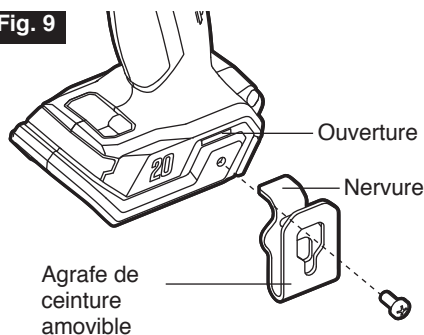
#### Installation de l'agrafe de ceinture sur l'outil :

- Détachez le bloc-piles de l'outil.
- Alignez la nervure et le trou de l'agrafe de ceinture sur l'ouverture et le trou fileté sur la base de l'outil, respectivement.
- Insérez la vis et serrez-la fermement avec un tournevis (non inclus).

#### Retrait de l'agrafe de ceinture de l'outil :

- Détachez le bloc-piles de l'outil.
- Utilisez un tournevis pour desserrer la vis qui attache l'agrafe de ceinture à l'outil.
- Retirez la vis et l'agrafe de ceinture. Rangez-les en lieu sûr en vue d'une réutilisation future.

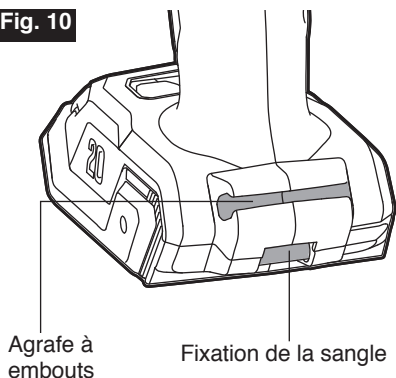
**Fig. 9**



### Agrafe à embouts intégrée (Fig. 10)

Votre outil est pourvu d'une agrafe à embouts intégrée, qui est située à l'arrière de l'outil. Utilisez l'agrafe à embouts pour ranger facilement les embouts hexagonaux.

**Fig. 10**



## Fixation de la sangle (Fig. 10)

Une sangle de fixation est fournie pour attacher une dragonne (non fournie) afin de réduire les risques de chute de votre outil. Enveloppez la sangle autour de votre main lorsque vous transportez l'outil.

## Mèches de perçage

Vérifiez toujours que les mèches de perçage ne sont pas trop usées. N'utilisez que des mèches bien aiguisées et en bon état.

**Mèches torsadées** : Disponibles avec des tiges droites et réduites pour le perçage du bois et des métaux légers. Les mèches à haute vitesse coupent plus rapidement et durent plus longtemps lors du perçage de matériaux durs.

**Mèches à pointes au carbure** : Utilisées pour le perçage de la pierre, du béton, du plâtre, du ciment et d'autres matériaux non métalliques exceptionnellement durs. Utilisez une pression d'alimentation continue et forte lorsque vous utilisez des mèches à pointes au carbure.

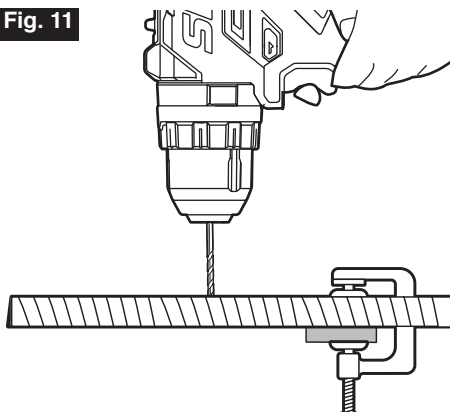
## Perçage (Fig. 11)

**⚠ AVERTISSEMENT** Portez toujours des lunettes de sécurité ou de protection avec des écrans latéraux pendant le fonctionnement d'un outil électrique ou lorsque vous soufflez de la poussière. Si la procédure produit de la poussière, portez également un masque de protection contre la poussière.

- Vérifiez le réglage du sélecteur de sens de rotation pour choisir le sens approprié (vers l'avant ou vers l'arrière).
- Sécurisez le matériau devant être percé dans un étau ou avec des brides de fixation pour l'empêcher de tourner avec la mèche qui tourne.
- Tenez fermement la perceuse et placez la mèche à l'endroit exact où vous voulez percer.
- Comprimez l'interrupteur à gâchette à vitesse variable pour commencer le perçage.
- Enfoncez la mèche de perçage dans l'ouvrage en exerçant juste assez de pression pour que la mèche s'engage dans le matériau. Ne forcez pas la mèche et n'appliquez pas de pression latéralement pour allonger un trou. Laissez l'outil faire le travail.
- Lorsque vous percez des surfaces dures et lisses, utilisez d'abord un pointeau afin de marquer la position désirée pour le trou. Ceci empêchera la mèche de perçage de déraper au début du perçage.
- Lorsque vous percez des métaux, enduisez la mèche de perçage d'huile légère pour l'empêcher de surchauffer. La présence d'huile prolongera la durée de vie de la mèche et renforcera l'action de perçage.
- Si l'embout se coince dans l'ouvrage, ou si la mèche cale, arrêtez immédiatement l'outil. Retirez la mèche de l'ouvrage et déterminez la cause du coincement.

Il existe deux règles à appliquer pour percer des matériaux durs. D'abord, plus le matériau est dur, plus la pression que vous devez exercer sur l'outil doit être élevée. Et ensuite, plus le matériau est dur, plus la vitesse doit être lente. Si le trou à percer est assez grand, percez d'abord un trou de faible diamètre, puis élargissez-le à la taille requise avec une mèche de plus grand diamètre ; c'est souvent plus rapide à la longue que de percer un trou plus grand initialement.

Fig. 11

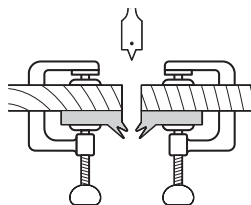
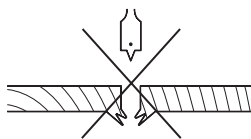


## Perçage du bois

Pour obtenir la meilleure performance possible, utilisez des mèches en acier rapide ou des mèches de finition pour percer le bois..

- Commencez à percer à très basse vitesse pour empêcher la mèche de déraiper par rapport au point de perçage.
- Augmentez la vitesse au fur et à mesure que la mèche s'engage dans le matériau.
- Lorsque vous percez des trous « traversants », placez un bloc de bois derrière l'ouvrage pour prévenir des éclatements ou irrégularités du côté arrière de l'ouvrage (Fig. 12).

Fig. 12



**AVIS:** Les mèches risquent de surchauffer si elles ne sont pas retirées fréquemment pour nettoyer les copeaux accumulés sur les cannelures.

---

## Perçage du métal

Pour obtenir la meilleure performance possible, utilisez des mèches en acier rapide pour percer le métal ou l'acier.

- Lorsque vous percez des métaux, enduisez la mèche de perçage d'huile légère pour l'empêcher de surchauffer. La présence d'huile prolongera la durée de vie de la mèche et renforcera l'action de perçage.
- Commencez à percer à très basse vitesse pour empêcher la mèche de déraiper par rapport au point de perçage.
- Maintenez une vitesse et une pression permettant de couper sans que la mèche ne soit en état de surchauffe.

Si vous exercez une pression excessive :

- La perceuse-visseuse surchauffera.
- Les paliers s'useront plus vite.
- Les mèches seront tordues ou brûlées.
- Les trous seront décentrés ou leur forme sera irrégulière.

---


## Perçage de maçonnerie

Pour obtenir la meilleure performance possible, utilisez des mèches pour maçonnerie à pointe au carbure lorsque vous percez des trous dans la brique, des tuiles/carreaux, du béton, etc.

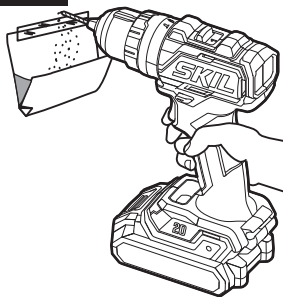
- Maintenez une vitesse et une pression permettant de couper sans que la mèche ou l'embout ne soit en état de surchauffe.

Si vous exercez une pression excessive :

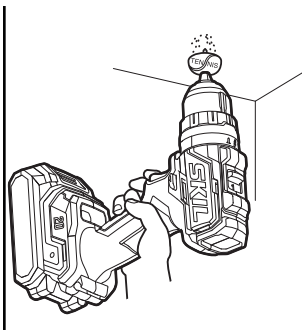
- La perceuse surchauffera.
- Les paliers s'useront plus vite.
- Les mèches seront tordues ou brûlées.
- Les trous seront décentrés ou leur forme sera irrégulière.
- Exercez une pression légère à une vitesse intermédiaire pour obtenir les meilleurs résultats dans la brique.

- Exercez une pression additionnelle pour couper des matériaux durs tels que le béton.
- Vous pouvez fabriquer un collecteur de poussière improvisé en collant une feuille de papier pliée (ou un classeur) sur un mur, afin de réduire la quantité de poussière lors du perçage des murs (Fig. 13).
- Une balle de tennis coupée en deux peut servir de collecteur de poussière lors du perçage des plafonds (Fig. 13).
- Lorsque vous devez percer des trous dans des tuiles/carreaux, pratiquez sur un déchet du même matériau afin de déterminer la meilleure vitesse et la meilleure pression. Pour éviter que la mèche ne dérape ou ne glisse, appliquez d'abord deux morceaux de ruban de masquage pour créer une forme en « X » au-dessus du point de perçage prévu (Fig. 13). Pour éviter d'endommager les tuiles ou carreaux, ne faites pas fonctionner l'outil dans le réglage du mode « marteau perforateur » .
- Commencez à percer à très basse vitesse pour empêcher la mèche de déraiper par rapport au point de perçage.

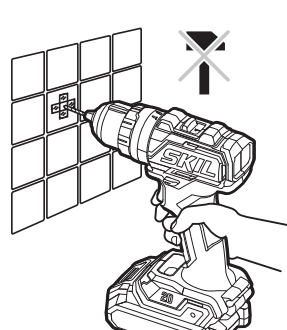
**Fig. 13**



Perçage sans poussière dans les murs



Perçage sans poussière dans les plafonds



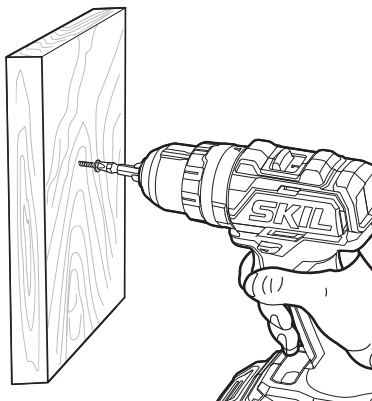
Perçage dans les tuiles/carreaux sans déraiper

## Enfoncement de vis (Fig. 14)

Essayez d'utiliser des vis de type standard pour pouvoir les enfoncer facilement et pour améliorer la préhension.

- Installez l'embout de vissage correct.
- Assurez-vous que l'anneau de réglage du couple est réglé sur le paramètre le plus approprié. En cas de doute, commencez par un réglage bas et augmentez progressivement suivant les besoins. Ne changez pas le paramètre de réglage du couple pendant que l'outil est en train de fonctionner.
- Utilisez la plage de vitesse correcte en fonction de la tâche et appliquez initialement le minimum de pression sur l'interrupteur à gâchette à vitesse variable. Augmentez seulement la vitesse lorsque vous êtes en mesure d'assurer un contrôle total.

**Fig. 14**





- d. Il est recommandé de commencer par percer un trou pilote. Ce trou devrait être légèrement plus long que la vis à enfoncer et juste un peu plus petit que le diamètre de la tige de la vis. Le trou pilote servira de guide pour la vis, et il permettra également de serrer plus facilement la vis. Lorsque des vis sont positionnées à proximité d'un bord du matériau, un trou pilote aidera également à réduire les risques d'éclatement du bois.
- e. Utilisez un embout de fraisage (vendu séparément) pour faire en sorte que la tête de la vis ne dépasse pas de la surface.
- f. Exercez une pression suffisante sur l'embout pour ne pas risquer que celui-ci sorte de la tête de la vis. La tête de la vis pourrait facilement être endommagée, ce qui rendrait difficile l'enfoncement ou le retrait de la vis.
- g. Pour arrêter la perceuse/visseuse, relâchez l'interrupteur à gâchette et laissez l'outil s'arrêter complètement.

## Verrouillage automatique de la broche

Le verrouillage automatique de l'axe vous permet d'utiliser l'outil comme un tournevis manuel. Vous pouvez donner un tour supplémentaire pour serrer fermement une vis, desserrer une vis très serrée ou continuer à travailler lorsque la charge de la pile est épuisée. Pour les tournevis manuels, le mandrin est automatiquement verrouillé lorsque l'outil est éteint.

---

## ENTRETIEN

**⚠ AVERTISSEMENT** Para evitar lesiones personales graves, siempre retire el paquete de baterías de la herramienta cuando la vaya a limpiar o a realizarle cualquier tarea de mantenimiento.

### Entretien

**⚠ AVERTISSEMENT** L'entretien préventif effectué par une personne non autorisée peut avoir comme résultat de déplacer les fils et les composants internes de l'outil, ce qui pourrait constituer un grave danger. Tout entretien d'outil devrait être effectué dans un centre de service de l'usine de SKIL ou un centre de service autorisé de SKIL.

### Entretien général

**⚠ AVERTISSEMENT** Lorsque vous procédez à l'entretien de l'outil, utilisez uniquement des pièces de remplacement identiques à celles d'origine. L'utilisation de toute autre pièce pourrait endommager l'outil ou être une source de danger.

Inspectez périodiquement l'intégralité de l'article pour y déceler des pièces endommagées, manquantes ou lâches telles que des vis, des écrous, des boulons, des capuchons, etc. Resserrez fermement toutes les fixations et tous les capuchons et ne faites pas fonctionner cet article tant que toutes les pièces manquantes ou endommagées n'ont pas été remplacées. Veuillez communiquer avec le service à la clientèle ou avec un centre de service autorisé pour obtenir de l'aide.

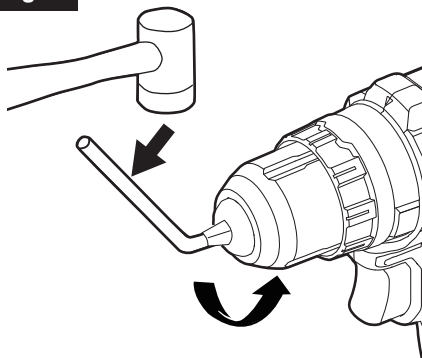
## Retrait du mandrin (Fig. 15)

Le mandrin sans clé peut être retiré et remplacé.

- Verrouillez l'interrupteur à gâchette de l'outil en position d'arrêt en plaçant le sélecteur de sens de rotation dans la position centrale.
- Ouvrez les mâchoires du mandrin.
- Utilisez un tournevis (non fourni) pour retirer la vis du mandrin en la tournant dans le sens des aiguilles d'une montre.
- Insérez une clé hexagonale de 5/16 po ou plus (non fournie) dans le mandrin de la l'outil et serrez fermement les mâchoires du mandrin autour de la clé hexagonale.
- Frappez fortement la clé hexagonale avec un maillet (non fourni) dans le sens contraire des aiguilles d'une montre. Cela permettra de desserrer le mandrin pour le retirer facilement.

**AVIS:** La vis de fixation du mandrin a un filet orienté vers la gauche. Fixez un nouveau mandrin à la broche et serrez la vis du mandrin.

Fig. 15



## Nettoyage

L'utilisation d'air sec comprimé est la meilleure technique de nettoyage.

**⚠ AVERTISSEMENT** Portez toujours des lunettes de sécurité lorsque vous nettoyez des outils avec de l'air comprimé. Les orifices de ventilation et les interrupteurs doivent être propres et exempts de toute substance étrangère. Ne tentez pas de nettoyer l'outil en insérant des objets pointus dans les ouvertures.

**⚠ AVERTISSEMENT** Certains agents nettoyants et solvants peuvent endommager les pièces en plastique. Notamment: l'essence, le tétrachlorure de carbone, les solvants nettoyants chlorés, l'ammoniaque et les détergents ménagers qui contiennent de l'ammoniaque.

## Rangement

Rangez l'outil à l'intérieur dans un endroit inaccessible aux enfants. Rangez-le à l'écart des agents corrosifs.

## RECHERCHE DE LA CAUSE DES PROBLÈMES

Problème	Cause	Remède
L'outil ne démarre pas.	<ol style="list-style-type: none"><li>1. Le bloc-piles est épuisé.</li><li>2. Le bloc-piles n'a pas été installé correctement.</li><li>3. L'interrupteur est grillé.</li></ol>	<ol style="list-style-type: none"><li>1. Chargez la pile.</li><li>2. Confirmez que la pile est verrouillée et sécurisée sur l'outil.</li><li>3. Faites remplacer l'interrupteur par un Centre de service après-vente ou de réparation SKIL agréé.</li></ol>
L'embout ne peut pas être installé.	<ol style="list-style-type: none"><li>1. Le mandrin n'est pas libéré.</li><li>2. L'embout ne s'adapte pas au mandrin.</li></ol>	<ol style="list-style-type: none"><li>1. Libérez le mandrin.</li><li>2. Utilisez un embout approprié ou un adaptateur adéquat.</li></ol>
Surchauffe du moteur	Les fentes de ventilation sont obstruées.	Nettoyez et dégagez les fentes de ventilation. Ne les couvrez pas avec la main pendant le fonctionnement.
La LAMPE DE TRAVAIL clignote rapidement.	L'outil a cessé de fonctionner pour protéger l'électronique interne.	Relâchez l'interrupteur à gâchette, attendez que l'outil refroidisse, puis remettez-le en marche.
La LAMPE DE TRAVAIL clignote lentement.	La charge de la pile est très faible.	Rechargez la pile.

# **GARANTÍA LIMITADA PARA HERRAMIENTA SKIL**

## **5 AÑO DE GARANTÍA LIMITADA**

Chervon North America, Inc. (“Vendedor”) garantiza únicamente al comprador original que ninguna HERRAMIENTA SKIL del consumidor presentará defectos en los materiales ni la mano de obra durante un período de cinco años a partir de la fecha de compra si el comprador original registra el producto dentro de los 30 días de realizada la compra. Las BATERÍAS y los CARGADORES tienen una garantía de 2 años. El registro del producto se puede completar en línea en [www.Registermyskil.com](http://www.Registermyskil.com). Los compradores originales también deben conservar el recibo como comprobante de compra. EL PERÍODO DE GARANTÍA DE CINCO AÑOS PARA HERRAMIENTAS ESTÁ CONDICIONADA POR EL REGISTRO DEL PRODUCTO DENTRO DE LOS 30 DÍAS DE REALIZADA LA COMPRA. Si los compradores originales no registran el producto de manera oportuna, se aplicará la garantía limitada anterior durante tres años para las herramientas eléctricas. Todas las baterías y los cargadores permanecerán bajo la garantía limitada de dos años.

No obstante lo señalado anteriormente, si se usa una herramienta SKIL del consumidor para fines industriales, profesionales o comerciales, se aplicará la garantía anterior durante noventa días, sin considerar el registro.

LA ÚNICA OBLIGACIÓN DEL VENDEDOR Y SU ÚNICA SOLUCIÓN en virtud de esta garantía limitada y, en la medida en que lo permita la ley, cualquier garantía o condición implícita por la ley, será la reparación o el reemplazo, sin cargo, de las piezas que presentan defectos en el material o la mano de obra y que no se hayan usado de manera incorrecta, que no se hayan manejado sin la debida atención o que las hayan reparado personas que no sean el Vendedor o una estación de servicio autorizada. Para exponer un reclamo en virtud de esta garantía limitada, debe devolver el producto completo, con el transporte prepago, a cualquier centro de servicio de la fábrica SKIL o a cualquier estación de servicio autorizada. Para comunicarse con las estaciones de servicio autorizadas de Skil para reparar su herramienta eléctrica, visite [www.Registermyskil.com](http://www.Registermyskil.com) o llame al 1-877-SKIL-999 (1-877-754-5999).

ESTA GARANTÍA LIMITADA NO SE APLICA A ARTÍCULOS ACCESORIOS, COMO HOJAS DE SIERRA CIRCULAR, BROCAS PARA TALADROS, BROCAS PARA REBAJADORAS, HOJAS DE SIERRA DE VAIVÉN, BANDAS DE LIJADO, DISCOS DE PULIDO Y OTROS ARTÍCULOS RELACIONADOS.

TODA GARANTÍA IMPLÍCITA APLICABLE A UN PRODUCTO DEBE ESTAR LIMITADA A LA MISMA DURACIÓN QUE LA DURACIÓN DE LAS GARANTÍAS EXPRESAS APLICABLES A DICHO PRODUCTO, SEGÚN SE ESTABLECIÓ EN EL PRIMER PÁRRAFO. ALGUNOS ESTADOS EN ESTADOS UNIDOS Y ALGUNAS PROVINCIAS EN CANADÁ NO PERMITEN LIMITACIONES SOBRE EL TIEMPO DE DURACIÓN DE UNA GARANTÍA IMPLÍCITA, DE MODO QUE LA LIMITACIÓN ANTES DESCRITA PUEDE QUE NO SE APLIQUE A USTED.

BAJO NINGUNA CIRCUNSTANCIA, EL VENDEDOR SERÁ RESPONSABLE DE DAÑOS ACCIDENTALES O RESULTANTES (INCLUIDA ENTRE OTRAS, LA RESPONSABILIDAD POR PÉRDIDA DE GANANCIAS) QUE SE ORIGINEN DE LA VENTA O EL USO DE ESTE PRODUCTO. ALGUNOS ESTADOS EN ESTADOS UNIDOS Y ALGUNAS PROVINCIAS EN CANADÁ NO PERMITEN LA EXCLUSIÓN O LIMITACIÓN DE DAÑOS ACCIDENTALES O RESULTANTES, DE MODO QUE LA LIMITACIÓN O EXCLUSIÓN ANTERIOR PUEDE QUE NO SE APLIQUE A USTED.

ESTA GARANTÍA LIMITADA LE OTORGA DERECHOS LEGALES ESPECÍFICOS, Y ES POSIBLE QUE TAMBIÉN TENGA OTROS DERECHOS QUE VARIAN DE UN ESTADO A OTRO EN ESTADOS UNIDOS, DE UNA PROVINCIA A OTRA EN CANADÁ Y DE UN PAÍS A OTRO.

ESTA GARANTÍA LIMITADA SE APLICA SOLAMENTE A PRODUCTOS VENDIDOS EN ESTADOS UNIDOS DE AMÉRICA, CANADÁ Y EL COMMONWEALTH DE PUERTO RICO. PARA TENER UNA COBERTURA DE GARANTÍA EN OTROS PAÍSES, PÓNGASE EN CONTACTO CON SU DISTRIBUIDOR O IMPORTADOR DE SKIL.

© Chervon North America, 1203 E. Warrenville Rd, Naperville, IL 60563.

# ÍNDICE

Advertencias de seguridad general en el manejo de herramientas eléctricas .....	46-49
Advertencias de seguridad en el manejo del martillo perforador .....	50
Símbolos .....	51-54
Conozca su martillo perforador .....	55
Especificaciones .....	55
Instrucciones de funcionamiento .....	56-66
Mantenimiento .....	66-67
Solución de problemas .....	67
Garantía limitada de la herramienta inalámbrica SKIL .....	68-69

## **ADVERTENCIA**

- Parte del polvo causado por el lijado eléctrico, el serruchado, la trituración, el taladrado y otras actividades de fabricación contiene productos químicos reconocidos por el estado de California como causantes de cáncer, defectos congénitos u otros daños en el aparato reproductivo. Algunos ejemplos de estas sustancias químicas son los siguientes:
  - Plomo de pinturas a base de plomo.
  - Sílice cristalina de ladrillos, cemento y otros productos de mampostería.
  - Arsénico y cromo de madera tratada con químicos.
- El riesgo que corre debido a la exposición a estos productos químicos varía según la frecuencia con que realiza este tipo de trabajo. Para reducir la exposición a estas sustancias químicas:
  - Trabaje en un área bien ventilada.
  - Trabaje con equipo de seguridad aprobado, como las mascarillas antipolvo especialmente diseñadas para filtrar partículas microscópicas.
  - Evite estar en contacto prolongado con el polvo provocado por el lijado, el aserrado, la trituración y el taladrado, y otras actividades de construcción. Use ropa protectora y lave todas las áreas expuestas del cuerpo con agua y jabón. Dejar que entre polvo en la boca o en los ojos, o dejarlo en contacto con la piel puede fomentar la absorción de químicos nocivos.

# ADVERTENCIAS DE SEGURIDAD GENERAL EN EL MANEJO DE HERRAMIENTAS ELÉCTRICAS

**⚠ ADVERTENCIA** Lea todas las advertencias, instrucciones, ilustraciones y especificaciones de seguridad que se proporcionan junto con esta herramienta eléctrica. No seguir todas las instrucciones que se detallan a continuación podría provocar descargas eléctricas, incendios o lesiones graves.

**GUARDE TODAS LAS ADVERTENCIAS Y LAS INSTRUCCIONES PARA CONSULTAR EN EL FUTURO.**

El término “herramienta eléctrica” que aparece en las advertencias se refiere a la herramienta eléctrica que se conecta a la línea principal (con cable) o a la herramienta eléctrica que funciona con batería (inalámbrica).

## Seguridad en el área de trabajo

**Mantenga el área de trabajo limpia y bien iluminada.** Las áreas desordenadas y oscuras pueden provocar accidentes.

**No utilice herramientas eléctricas en atmósferas donde exista riesgo de explosión, como por ejemplo, en presencia de líquidos, gases o polvo inflamables.** Las herramientas eléctricas producen chispas que podrían encender el polvo o humo.

**Mantenga a los niños y transeúntes alejados mientras opera una herramienta eléctrica.** Las distracciones pueden hacerle perder el control.

## Seguridad eléctrica

**Los enchufes de las herramientas eléctricas deben coincidir con el tomacorriente. Nunca modifique el enchufe de ningún modo. No utilice ningún enchufe adaptador con herramientas eléctricas con puesta a tierra.** Los enchufes sin modificaciones y que encajan en los tomacorrientes reducen el riesgo de descarga eléctrica.

**Evite el contacto corporal con las superficies con conexión a tierra, como tuberías, radiadores, estufas y refrigeradores.** Existe un riesgo adicional de descarga eléctrica si su cuerpo tiene puesta a tierra.

**No exponga las herramientas eléctricas a la lluvia o a condiciones de humedad.** Si ingresa agua en una herramienta eléctrica, el riesgo de descarga eléctrica aumentará.

**No maltrate el cable. Nunca use el cable para transportar, jalar ni desenchufar la herramienta eléctrica. Mantenga el cable alejado del calor, el aceite, los bordes filosos o las piezas en movimiento.** Los cables dañados o enredados aumentan el riesgo de descarga eléctrica.

**Cuando utilice una herramienta eléctrica en exteriores, use una extensión eléctrica adecuada para uso en exteriores.** El uso de una extensión para uso en exteriores reduce el riesgo de electrocución.

**Si debe utilizar una herramienta eléctrica en un área húmeda, use un suministro protegido con un interruptor de circuito de falla de puesta a tierra (GFCI, por sus siglas en inglés).** El uso de un interruptor GFCI disminuye el riesgo de descarga eléctrica.

## Seguridad personal

**Manténgase atento, mire lo que está haciendo y aplique el sentido común cuando utilice una herramienta eléctrica. No utilice una herramienta eléctrica si está cansado o bajo los efectos de drogas, alcohol o medicamentos.** Un momento de desatención mientras opera herramientas eléctricas puede provocar lesiones personales graves.

**Use un equipo de protección personal. Use siempre lentes de protección.** Los equipos de protección, como mascarillas antipolvo, zapatos de seguridad antideslizantes, cascos protectores o protección auditiva, utilizados para las condiciones adecuadas, disminuyen el riesgo de lesiones personales.

**Evite un arranque accidental. Asegúrese de que el interruptor esté en la posición de apagado antes de conectar la herramienta a la fuente de alimentación o la batería, o antes de levantarla o transportarla.** Transportar herramientas eléctricas con el dedo en el interruptor o enchufar herramientas eléctricas que tienen el interruptor encendido aumenta las posibilidades de sufrir accidentes.

**Retire toda llave de tuercas o herramienta de ajuste antes de encender la herramienta eléctrica.** Si se deja una llave conectada a una pieza giratoria de la herramienta eléctrica, se podrían producir lesiones personales.

**No trate de llegar más allá de donde alcance. Mantenga una postura y un equilibrio adecuados en todo momento.** Esto permite un mejor control de la herramienta eléctrica en situaciones inesperadas.

**Use la ropa indicada. No use ropa holgada ni joyas. Mantenga el cabello y la ropa lejos de las piezas en movimiento.** La ropa holgada, las joyas o el cabello largo pueden quedar atrapados en las piezas en movimiento.

**Si se proporcionan dispositivos para la conexión de aparatos de extracción y recolección de polvo, asegúrese de que estén conectados y de que se usen correctamente.** La recolección de polvo puede disminuir los peligros relacionados con el polvo.

**No permita que la familiaridad del uso frecuente de las herramientas lo haga no tener en cuenta los principios de seguridad de las herramientas.** Un descuido puede ocasionar una lesión grave en cuestión de segundos.

## **Uso y cuidado de las herramientas eléctricas**

**No fuerce la herramienta eléctrica. Utilice la herramienta eléctrica adecuada para su tarea.** La herramienta eléctrica adecuada realizará un trabajo más seguro y de mejor calidad al ritmo para el que se diseñó.

**No use la herramienta eléctrica si el interruptor no la enciende o la apaga.** Cualquier herramienta eléctrica que no pueda controlarse con el interruptor es peligrosa y debe repararse.

**Desconecte el enchufe de la fuente de alimentación o retire el paquete de baterías de la herramienta eléctrica (si es posible) antes de realizar cualquier ajuste, cambiar accesorios o almacenar herramientas eléctricas.** Este tipo de medidas de seguridad preventivas reduce el riesgo de arranques accidentales de la herramienta eléctrica.

**Guarde las herramientas eléctricas que no se utilizan fuera del alcance de los niños y no permita que las utilicen personas que no estén familiarizadas con esta herramienta o con estas instrucciones.** Las herramientas eléctricas son peligrosas en manos de usuarios sin capacitación.

**Realice mantenimiento a las herramientas eléctricas y a los accesorios. Revise si hay piezas móviles desalineadas o torcidas, si hay piezas rotas y cualquier otra condición que pueda afectar el funcionamiento de la herramienta eléctrica. Si se daña la herramienta eléctrica, hágala reparar antes de usarla.** Muchos accidentes son producto del mantenimiento incorrecto de las herramientas eléctricas.

**Mantenga las herramientas de corte afiladas y limpias.** Las herramientas de corte que se mantienen adecuadamente, con sus bordes de corte afilados, son menos propensas a trabarse y son más fáciles de controlar.



**Use la herramienta eléctrica, los accesorios, las brocas, etc. de acuerdo con estas instrucciones, considerando las condiciones de trabajo y el trabajo que desea realizar.** El uso de la herramienta eléctrica en operaciones distintas para las que fue diseñada podría crear una situación de peligro.

**Mantenga los mangos y las superficies de agarre secos, limpios y sin aceite ni grasa.** Los mangos y las superficies de agarre húmedos no permiten una manipulación segura ni controlar la herramienta en situaciones inesperadas.

Uso y cuidado de herramientas con batería

**Recárguela solo con el cargador que especifica el fabricante.** Un cargador adecuado para un tipo de paquete de baterías puede crear un riesgo de incendio cuando se usa con otro paquete de baterías.

**Use las herramientas eléctricas solo con los paquetes de baterías específicamente designados para ellas.** El uso de cualquier otro paquete de baterías puede crear un riesgo de lesión e incendio.

Cuando el paquete de baterías no se use, manténgalo alejado de otros objetos metálicos, como sujetadores para papeles, monedas, llaves, clavos, tornillos u otros objetos de metal pequeños que puedan crear una conexión de un terminal al otro. La conexión de los terminales de la batería entre sí puede producir quemaduras o incendios.

**En condiciones de uso indebido, puede salir líquido de la batería. Evite el contacto con este líquido. Si se produce un contacto accidental, enjuague con agua. Si el líquido entra en contacto con los ojos, solicite atención médica adicional.** El líquido que sale de la batería puede provocar irritación o quemaduras.

**No utilice un paquete de baterías ni una herramienta si están dañadas o modificadas.** Las baterías dañadas o modificadas pueden mostrar una conducta impredecible que ocasione incendios, explosiones o riesgo de lesión.

**No exponga el paquete de baterías ni la herramienta al fuego o a una temperatura excesiva.** La exposición al fuego o a temperaturas por encima de los 265 °F podría causar una explosión.

**Siga todas las instrucciones de carga y no cargue el paquete de baterías ni las herramientas fuera del rango de temperatura especificado en las instrucciones.** La carga inapropiada o a temperaturas por fuera del rango especificado podría dañar la batería y aumentar el riesgo de incendio.

## Reparación

**Permita que solo una persona capacitada repare la herramienta eléctrica, mediante el uso solo de piezas de repuesto idénticas.** Esto mantendrá la seguridad de la herramienta eléctrica.

Nunca realice mantenimiento a los paquetes de batería. Solo el fabricante o los proveedores de servicio autorizados pueden realizar el mantenimiento de los paquetes de baterías.

# ADVERTENCIAS DE SEGURIDAD EN EL MANEJO DEL MARTILLO PERFORADOR

## Instrucciones de seguridad para todo tipo de operaciones:

**Utilice protectores para los oídos cuando realice una perforación de impacto.** La exposición al ruido puede causar pérdida de la audición.

**Utilice el mango auxiliar.** La pérdida de control puede causar lesiones personales.

**Sostenga la herramienta eléctrica por las superficies de agarre aisladas cuando realice una operación en la que el accesorio de corte pueda entrar en contacto con el cableado oculto o su propio cable.** Si el accesorio de corte entra en contacto con un cable con corriente puede provocar que las piezas metálicas expuestas de la herramienta eléctrica conduzcan corriente, lo que podría provocar una descarga eléctrica al operador.

## Instrucciones de seguridad para el uso de brocas de taladro largas:

**Nunca opere a una velocidad superior a la velocidad nominal máxima de la broca.** A velocidades más altas, es probable que la broca se doble si se permite que gire libremente sin entrar en contacto con la pieza de trabajo, causando lesiones personales.

**Empiece siempre a taladrar a baja velocidad y con la punta de la broca en contacto con la pieza de trabajo.** A velocidades más altas, es probable que la broca se doble si se permite que gire libremente sin entrar en contacto con la pieza de trabajo, causando lesiones personales.

**Aplique presión solo en línea directa con la broca y no aplique presión excesiva.**





Las brocas pueden doblarse y causar roturas o pérdida del control, ocasionando lesiones personales.

# SÍMBOLOS

## Símbolos de seguridad

El fin de los símbolos de seguridad es alertarlo sobre posibles peligros. Los símbolos de seguridad y las explicaciones que se dan merecen su atención y comprensión cuidadosa. Las advertencias del símbolo no eliminan por sí mismas ningún peligro. Las instrucciones y las advertencias no sustituyen las medidas adecuadas de prevención de accidentes.

**⚠ ADVERTENCIA** Asegúrese de leer y de comprender todas las instrucciones de seguridad que se incluyen en este manual del propietario, incluidos todos los símbolos de alerta de seguridad, tales como "**PELIGRO**", "**ADVERTENCIA**" y "**PRECAUCIÓN**" antes de usar esta herramienta. Si no se siguen todas las instrucciones que figuran a continuación, se pueden producir electrocuciones, incendios y lesiones.

Las definiciones que se ofrecen a continuación describen el nivel de gravedad de cada símbolo. Lea el manual y preste atención a dichos símbolos.	
	Este es el símbolo de advertencia de seguridad. Se utiliza para advertirlo de los peligros de posibles lesiones personales. Cumpla con todos los mensajes de seguridad a continuación de este símbolo para evitar posibles lesiones o consecuencias fatales.
	PELIGRO indica una situación de peligro que, de no evitarse, ocasionará la muerte o lesiones graves.
	ADVERTENCIA indica una situación potencialmente peligrosa que, de no evitarse, puede ocasionar la muerte o lesiones graves.
	PRECAUCIÓN, se usa con el símbolo de advertencia de seguridad e indica una situación peligrosa que, de no evitarse, puede causar lesiones menores o moderadas.

## Mensajes de prevención de daños e información

Estos entregan al usuario información importante o instrucciones que, si no se siguen, podrían ocasionar daños al equipo o a la propiedad. Cada mensaje está precedido por la palabra "AVISO", como en el siguiente ejemplo:





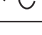



**AVISO:** Si no se siguen estas instrucciones se pueden producir daños al equipo o la propiedad.








**⚠ ADVERTENCIA** Durante el funcionamiento de cualquier herramienta eléctrica, pueden entrar objetos extraños a los ojos y causar graves daños oculares. Use siempre lentes o gafas de seguridad con protecciones laterales y, cuando sea necesario, un protector facial que cubra todo el rostro antes de comenzar a operar una herramienta eléctrica. Recomendamos usar una máscara de seguridad de visión amplia sobre los lentes o las gafas de seguridad estándar con protección lateral. Siempre use lentes de protección que cumplan con la norma ANSI Z87.1.

## SÍMBOLOS (CONTINUACIÓN)


**IMPORTANTE:** Algunos de los siguientes símbolos pueden aparecer en sus herramientas. Obsérvelos y conozca su significado. La interpretación correcta de estos símbolos le permitirá utilizar la herramienta de manera eficaz y segura.

Símbolo	Nombre	Designación/Explicación
V	Voltios	Voltaje (posible)
A	Amperios	Corriente
Hz	Hertz	Frecuencia (ciclos por segundo)
W	Vatios	Potencia
kg	Kilogramos	Peso
min	Minutos	Tiempo
s	Segundos	Tiempo
Wh	Vatios por hora	Capacidad de la batería
Ah	Amperios por hora	Capacidad de la batería
∅	Diámetro	Tamaño de la broca para taladro, de los discos de pulido, etc.
$n_0$	Velocidad sin carga	Velocidad de rotación sin carga
n	Rango de velocidad	Velocidad máxima alcanzable
.../min	Revoluciones o pasadas por minuto	Revoluciones, pasadas, velocidad de superficie, órbitas, etc. por minuto
0	Posición Off (Apagado)	Velocidad cero, torsión cero...
1,2,3,... I,II,III,	Configuraciones del selector	Configuraciones de la velocidad, la torsión o la posición. Un número más alto quiere decir mayor velocidad
	Selector de regulación continua con apagado	La velocidad aumenta desde la configuración 0
	Flecha	Acción en la dirección de la flecha
	Corriente alterna	Tipo o característica de corriente
	Corriente directa	Tipo o característica de corriente
	Corriente alterna o continua	Tipo o característica de corriente
	Herramienta de clase II	Designa herramientas para construcción con doble aislamiento
	Terminal de tierra	Terminal de puesta a tierra
	Sello de iones de litio de RBRC	Designa el programa de reciclaje de baterías de iones de litio

Símbolo	Nombre	Designación/Explicación
	Sello de níquel cadmio de RBRC	Designa el programa de reciclaje de baterías de níquel cadmio
	Símbolo de lectura del manual	Indica al usuario que lea el manual
	Símbolo de uso de lentes de protección	Siempre use gafas o lentes de seguridad con protección lateral y un protector facial que cubra todo el rostro cuando use este producto
	Utilice siempre la herramienta con las dos manos	Alerta al usuario para que utilice siempre la herramienta con las dos manos
	No utilice el protector para operaciones de tronzado	Alerta al usuario para que no utilice el protector para operaciones de tronzado

## SÍMBOLOS (INFORMACIÓN DE CERTIFICACIÓN)

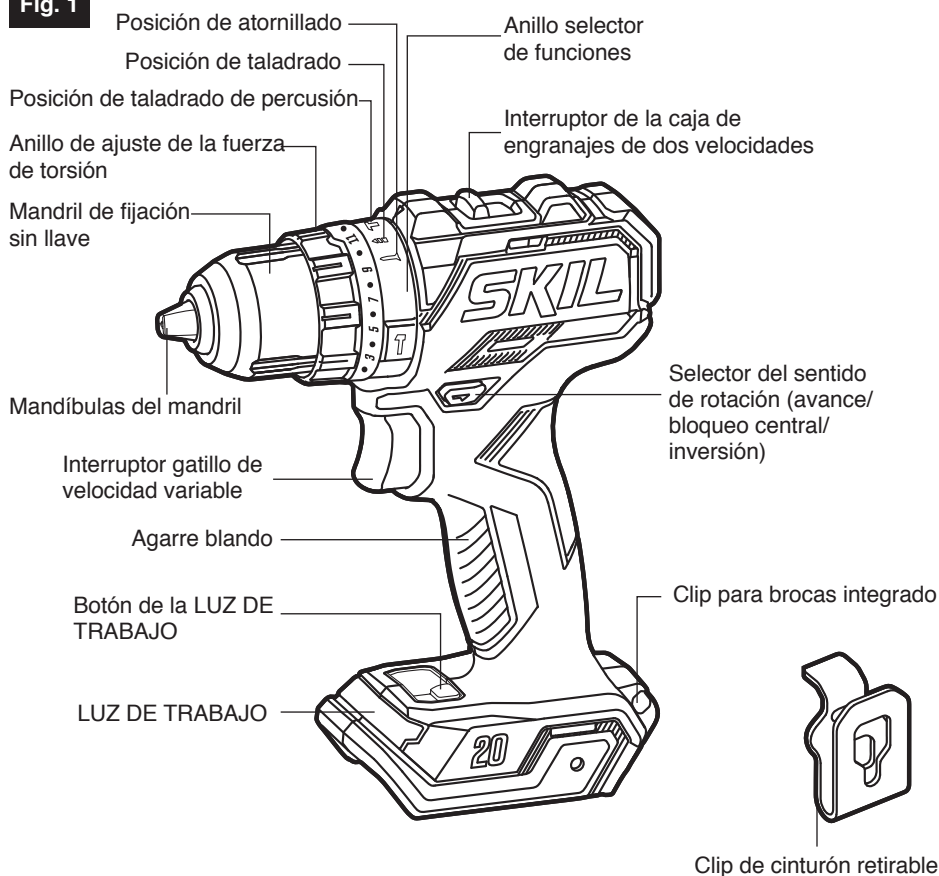
**IMPORTANTE:** Algunos de los siguientes símbolos de información de certificación pueden aparecer en sus herramientas. Obsérvelos y conozca su significado. La interpretación correcta de estos símbolos le permitirá utilizar mejor esta herramienta y de manera más segura.

Símbolo	Designación/Explicación
	Este símbolo designa que esta herramienta está incluida en la lista de Underwriters Laboratories.
	Este símbolo designa que esta herramienta es reconocida por Underwriters Laboratories.
	Este símbolo designa que esta herramienta está incluida en la lista de Underwriters Laboratories, conforme a las normas de Estados Unidos y Canadá.
	Este símbolo designa que esta herramienta está incluida en la lista de Canadian Standards Association.
	Este símbolo designa que esta herramienta está incluida en la lista de Canadian Standards Association, conforme a las normas de Estados Unidos y Canadá.
	Este símbolo designa que esta herramienta está incluida en la lista de Intertek Testing Services, conforme a las normas de Estados Unidos y Canadá.

# FAMILIARÍCESE CON SU TALADRO DE PERCUSIÓN

## Taladro de percusión subcompacto de 20 V sin escobillas

**Fig. 1**



## ESPECIFICACIONES

Tensión nominal	20 V c.c.
Velocidad sin carga	0-500 / 0-1800/min (RPM)
Frecuencia de impacto	0-7500 / 0-27000 /min (IPM)
Capacidad de mandril	1/2 pulgada (13 mm)
Posiciones de embrague	17 posiciones + modo de taladro + modo de martillo
Temperatura de funcionamiento recomendada	14 – 104 °F (-10 – 40 °C)
Temperatura de almacenamiento recomendada	32 – 104 °F (0 – 40 °C)

# INSTRUCCIONES DE FUNCIONAMIENTO

**⚠️ ADVERTENCIA** Para reducir el riesgo de incendios, lesiones personales y daños al producto por un cortocircuito, nunca sumerja la herramienta, el paquete de baterías ni el cargador en líquidos ni permita que los líquidos ingresen a estos. Los líquidos corrosivos o conductores, como el agua de mar, algunos productos químicos industriales y el blanqueador o los productos que contienen blanqueador, pueden generar un cortocircuito.

**⚠️ ADVERTENCIA** Si hay piezas dañadas o faltantes, no utilice el producto hasta que las haya reemplazado. El uso de este producto con piezas dañadas o faltantes puede provocar lesiones personales graves.

**⚠️ ADVERTENCIA** No intente modificar este taladro/destornillador ni usar accesorios que no estén recomendados para esta herramienta. Cualquier alteración o modificación representa un uso inadecuado y puede generar situaciones peligrosas que causen posibles lesiones graves.

**⚠️ ADVERTENCIA** Para prevenir arranques accidentales que podrían causar lesiones corporales graves, retire siempre el paquete de batería de la herramienta cuando ensamble piezas, haga ajustes, realice limpieza o efectúe mantenimiento.

Este taladro/destornillador inalámbrico se debe usar solamente con los paquetes de baterías y el cargador que se indican a continuación:

Battery Pack					Charger	
2Ah	2Ah	2.5Ah	4Ah	5Ah		
SKIL BY519701	SKIL BY519702	SKIL BY519703	SKIL BY519601	SKIL BY519603	SKIL SC535801	SKIL QC536001
					SKIL QC5359B-02	SKIL SC5358B-02

**AVISO:** Consulte el manual de la batería y del cargador para obtener información detallada sobre el funcionamiento.

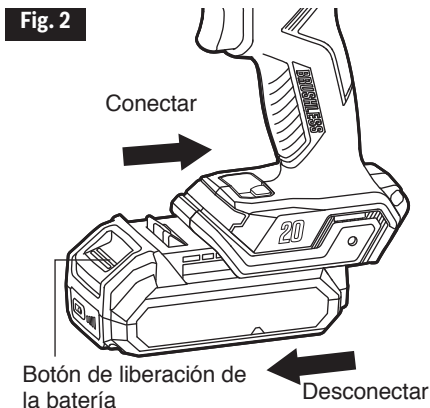
## Para instalar/desinstalar el paquete de batería (Fig. 2)

Fije el interruptor gatillo en la posición de "APAGADO" de la herramienta poniendo el selector del sentido de rotación (avance/bloqueo central/inversión) en la posición central.

### Para instalar el paquete de batería:

Alinee la costilla en relieve ubicada en el paquete de batería con las ranuras ubicadas en la herramienta y luego deslice el paquete de batería sobre la herramienta.

**AVISO:** Cuando coloque el paquete de batería en la herramienta, asegúrese de que la costilla en relieve ubicada en el paquete de batería se alinee con la ranura ubicada en la herramienta y que los pestillos se acoplen a presión en la posición correcta. Una instalación incorrecta del paquete de batería puede causar daños a los componentes internos.





### Para desinstalar el paquete de batería:

Presione el botón de liberación de la batería, ubicado en la parte delantera del paquete de batería, para liberar dicho paquete. Jale hacia fuera el paquete de batería y retírelo de la herramienta.

**⚠ ADVERTENCIA** Las herramientas a batería siempre están en condiciones de funcionamiento. Por lo tanto, el selector del sentido de rotación (avance/bloqueo central/inversión) deberá estar siempre bloqueado en la posición central cuando la herramienta no se esté utilizando o cuando usted la transporte a su lado.

### Selector del sentido de rotación (avance/bloqueo central/inversión) (Fig. 3)

**⚠ ADVERTENCIA** Después de utilizar la herramienta, bloquee el selector del sentido de rotación en la posición de “APAGADO” (bloqueo central) para ayudar a prevenir los arranques accidentales y posibles lesiones.

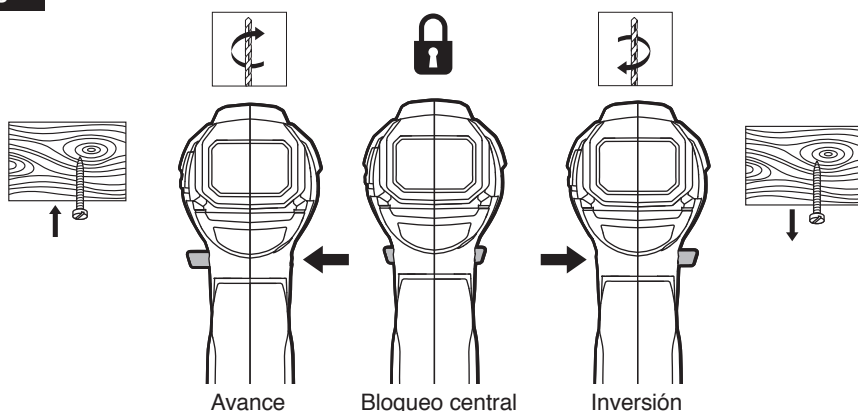
Esta herramienta está equipada con un selector del sentido de rotación, ubicado encima del interruptor gatillo. Este selector está diseñado para cambiar el sentido de rotación de la broca y para bloquear el gatillo en la posición de “APAGADO” (bloqueo central).

- Posicione el selector del sentido de rotación completamente hacia la izquierda de la herramienta para taladrar agujeros o apretar tornillos.
- Posicione el selector del sentido de rotación completamente hacia la derecha de la herramienta para extraer tornillos.
- Posicione el interruptor en la posición de “APAGADO” (bloqueo central) para ayudar a reducir la posibilidad de arranques accidentales cuando la herramienta no se esté utilizando.

**AVISO:** Para prevenir daños a los engranajes, deje siempre que el taladro de percusión se detenga por completo antes de cambiar el sentido de rotación.

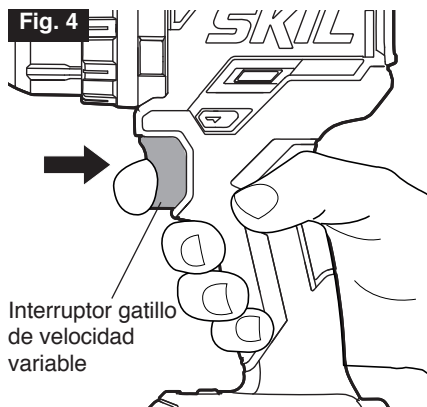
**NOTA:** El taladro de percusión no funcionará a menos que el selector del sentido de rotación esté acoplado completamente hacia la izquierda o hacia la derecha.

**Fig. 3**



## Interruptor gatillo de velocidad variable (Fig. 4)

Esta herramienta está equipada con un interruptor gatillo de velocidad variable. La herramienta se puede “ENCENDER” o “APAGAR” presionando o soltando el interruptor gatillo de velocidad variable. El interruptor gatillo de velocidad variable produce una velocidad más alta con una presión mayor sobre el gatillo y una velocidad más baja con una presión menor sobre el gatillo.



## Interruptor de la caja de engranajes de dos velocidades (Fig. 5)

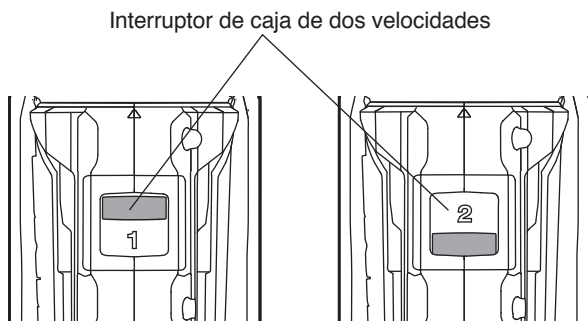
Esta herramienta está equipada con una caja de engranajes de dos velocidades diseñada para funcionar a velocidad baja o alta. El interruptor deslizante está ubicado en la parte superior de la herramienta para seleccionar tanto la velocidad baja (marcada con un “1”) como la velocidad alta (marcada con un “2”).

La velocidad baja (1) proporciona una fuerza de torsión más alta y velocidades más lentas para realizar trabajo pesado o para apretar tornillos, taladrar diámetros grandes o hacer roscas. Utilice la velocidad baja para comenzar agujeros sin un punzón centrador, taladrar metales o plástico, taladrar materiales cerámicos o en aplicaciones que requieran una fuerza de torsión más alta.

La velocidad alta (2) proporciona una fuerza de torsión más baja y velocidades más rápidas para realizar trabajo de taladrado más ligero. La velocidad alta es mejor para taladrar madera y materiales compuestos de madera, y para utilizar accesorios abrasivos y de pulir.

**AVISO:** Para evitar daños a los engranajes, deje siempre que la herramienta se detenga por completo antes de cambiar entre la velocidad baja (1) y la velocidad alta (2).

Fig. 5



## Selector de funciones y anillo de ajuste de la fuerza de torsión (Fig. 6)

Esta herramienta está equipada con un selector de funciones para diversas aplicaciones. Mueva el selector dependiendo de la tarea que vaya a realizar.

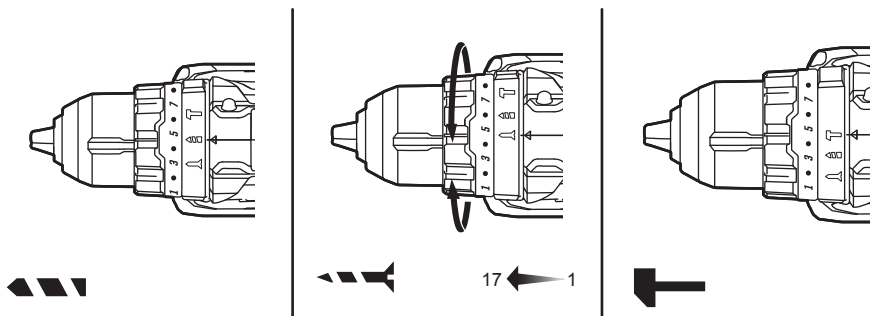
El ajuste de la función de taladrado  bloqueará el embrague para permitir realizar taladrado (no de percusión) o apriete de tornillos para trabajo pesado.

El ajuste de la función de atornillado  optimiza la herramienta para apretar tornillos.


El ajuste de la función de taladrado de percusión  bloqueará el mandril para permitir solo taladrado de percusión.

**AVISO:** No utilice el ajuste de taladrado de percusión para taladrar en madera, metal, cerámica y plástico, con el fin de evitar que la broca taladradora/atornilladora resulte dañada.

Fig. 6



**PRECAUCIÓN** No ajuste la fuerza de torsión ni cambie las funciones mientras la herramienta esté en funcionamiento.

Esta herramienta también cuenta con 17 posiciones de embrague para realizar operaciones de apriete de tornillos . La fuerza de torsión de salida aumentará a medida que el anillo del embrague se rote de 1 a 17. Cuando apriete un tornillo, pruebe primero la posición de fuerza de torsión 1 y aumente hasta que se alcance la fuerza de torsión deseada.

El ajuste adecuado depende del trabajo y del tipo de broca, sujetador y material que se vaya a utilizar. En general, utilice una fuerza de torsión mayor para tornillos más grandes. Si la fuerza de torsión es demasiado alta, es posible que los tornillos resulten dañados o se rompan. Para operaciones delicadas, tales como extraer un tornillo parcialmente desgarrado, utilice un ajuste de fuerza de torsión bajo.

## LUZ DE TRABAJO (Fig. 7)

Esta herramienta está equipada con una LUZ DE TRABAJO, ubicada en la base de la misma. Esta luz proporciona iluminación adicional sobre la superficie de la pieza de trabajo para operar en áreas con menor iluminación.

La LUZ DE TRABAJO iluminará de manera preestablecida al encender la herramienta O si se presiona el botón de la LUZ DE TRABAJO sin encender la herramienta.

La LUZ DE TRABAJO se podría apagar manualmente presionando el botón de la LUZ DE TRABAJO cuando la herramienta no está en funcionamiento.

Fig. 7



**NOTA:** La LUZ DE TRABAJO se apagará automáticamente después de 10 segundos de inactividad si la LUZ DE TRABAJO se enciende comprimiendo el interruptor gatillo de velocidad variable. La LUZ DE TRABAJO se apagará automáticamente después de 10 minutos de inactividad si la LUZ DE TRABAJO se enciende presionando el botón de la LUZ DE TRABAJO.

**NOTA:** Por motivos de seguridad, el botón de la LUZ DE TRABAJO está desactivada mientras la herramienta está en funcionamiento.

La LUZ DE TRABAJO parpadeará rápidamente cuando la herramienta y/o el paquete de batería se sobrecarguen o se calienten demasiado y los sensores internos apagarán la herramienta. Deje descansar la herramienta por un tiempo o coloque la herramienta y el paquete de batería por separado bajo una corriente de aire para que se enfríen.

La LUZ DE TRABAJO parpadeará más lentamente para indicar que la carga del paquete de batería está baja. Recargue el paquete de batería.

## Instalación y desinstalación de las brocas (Fig. 8a y 8b)

**⚠ ADVERTENCIA** No utilice la potencia del taladro de percusión mientras agarra el mandril para aflojar o apretar la broca. Es posible que se produzcan quemaduras por fricción o lesiones en las manos si se intenta agarrar el mandril cuando esté girando.

**⚠ ADVERTENCIA** No utilice brocas con vástagos dañados.

Esta herramienta está equipada con un mandril de fijación sin llave para apretar las brocas taladradoras en las mandíbulas del mandril o liberarlas de dichas mandíbulas. La flecha ubicada en el mandril indica el sentido en el que el cuerpo del mandril rotará para bloquear ("CLOSE") o desbloquear ("OPEN") las mandíbulas del mandril sobre la broca taladradora.

- Fije el interruptor gatillo en la posición de "APAGADO" de la herramienta colocando el selector del sentido de rotación (avance/bloqueo central/inversión) en la posición central.
- Retire el paquete de batería y seleccione la posición de taladro "▲▲▲▲".

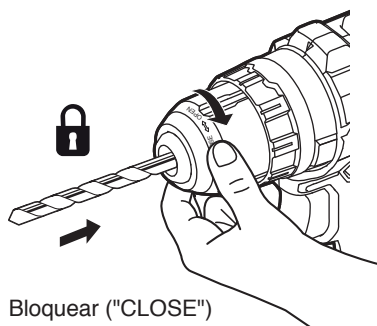
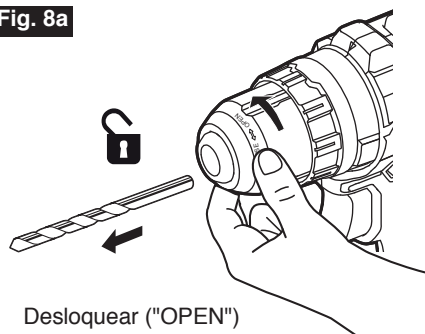
### Para instalar la broca:

- Rote el cuerpo del mandril en sentido contrario al de las agujas del reloj, según se ve desde el extremo del mandril, para abrir el mandril hasta aproximadamente el diámetro de la broca taladradora.
- Inserte una broca limpia hasta las estrías de la broca taladradora en el caso de brocas pequeñas o tanto como sea posible en el caso de brocas grandes. Cierre el mandril rotando el cuerpo del mandril en el sentido de las agujas del reloj y apriételo firmemente a mano (Fig. 8a).

### Para desinstalar la broca:

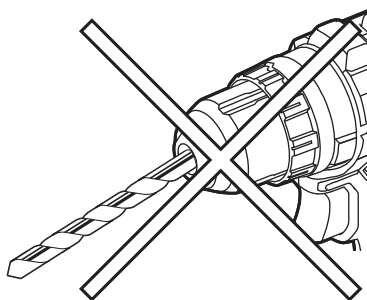
- Rote el cuerpo del mandril en sentido contrario al de las agujas del reloj, según se ve desde el extremo del mandril, para abrir el mandril.
- Retire la broca.

**Fig. 8a**



**⚠ ADVERTENCIA** Asegúrese de insertar la broca taladradora de manera que entre recta en las mandíbulas del mandril. No inserte la broca taladradora en las mandíbulas del mandril en ángulo y luego apriete el mandril de la manera que se muestra en la Fig. 8b. Esto podría hacer que la broca taladradora sea lanzada al aire por la herramienta y tener como resultado posibles lesiones corporales graves o daños al mandril.

Fig. 8b



**⚠ ADVERTENCIA** Es posible que la broca esté caliente después de un uso prolongado. Utilice guantes protectores cuando desinstale la broca de la herramienta o deje primero que la broca se enfríe.

### Clip de cinturón retirable (Fig. 9)

Esta herramienta se envía con un clip de cinturón retirable que se puede posicionar en cualquiera de los dos lados de la herramienta para permitir un transporte conveniente.

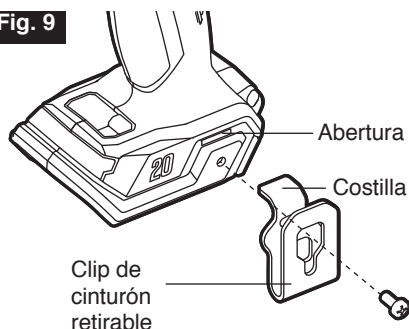
#### Para instalar el clip de cinturón en la herramienta:

- Retire el paquete de batería de la herramienta.
- Alinee la costilla y el agujero del clip de cinturón con la abertura y el agujero roscado ubicados en la base de la herramienta, respectivamente.
- Inserte el tornillo y apriételo firmemente con un destornillador (no incluido).

#### Para retirar el clip de cinturón de la herramienta:

- Retire el paquete de batería de la herramienta.
- Utilice un destornillador para aflojar el tornillo que sujeta el clip de cinturón a la herramienta.
- Retire el tornillo y el clip de cinturón. Manténgalos en un lugar seguro para uso futuro.

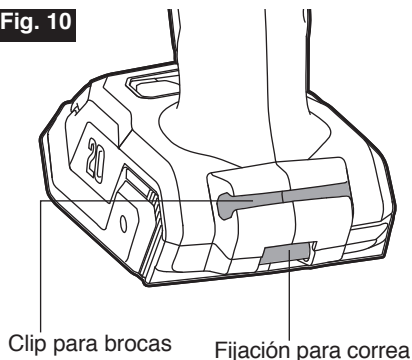
Fig. 9



## Clip para brocas integrado (Fig. 10)

Esta herramienta también está equipada con un clip para brocas integrado ubicado en la parte trasera de la herramienta. Utilice el clip para brocas para almacenar convenientemente las brocas hexagonales.

Fig. 10



Clip para brocas

Fijación para correa

## Fijación para correa (Fig. 10)

Se proporciona una fijación para correa para instalar una correa para la muñeca (no incluida) y con ello reducir las probabilidades de dejar caer la herramienta. Enrolle la correa alrededor de la mano cuando transporte la herramienta.

## Brocas taladradoras

Inspeccione siempre las brocas taladradoras para determinar si hay desgaste excesivo. Utilice solo brocas que estén afiladas y en buenas condiciones.

**Brocas helicoidales:** Disponibles con vástagos rectos y reducidos para realizar taladrado en madera y taladrado ligero en metal.

Las brocas de alta velocidad cortan más rápido y duran más tiempo cuando se taladran materiales duros.

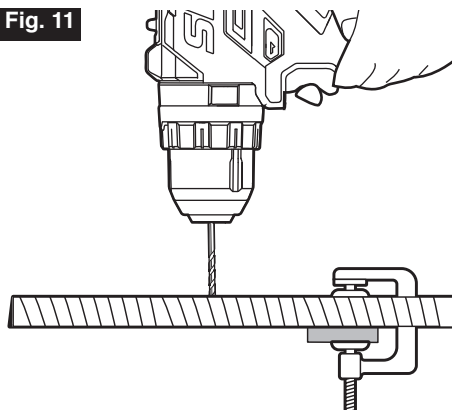
**Brocas con punta de carburo:** Se utilizan para taladrar piedra, concreto, yeso, cemento y otros materiales no metálicos inusualmente duros. Use una presión de avance fuerte y continua cuando utilice brocas con punta de carburo.

## Taladrado (Fig. 11)

**⚠ ADVERTENCIA** Use siempre anteojos de seguridad o gafas de seguridad con escudos laterales durante la utilización de una herramienta eléctrica o cuando sople polvo. Si la operación genera grandes cantidades de polvo, use también una máscara antipolvo.

- Compruebe si el selector del sentido de rotación está en el ajuste correcto (avance o inversión).
- Fije el material que se va a taladrar en una prensa de tornillo o con abrazaderas para impedir que gire a medida que la broca taladradora rote.
- Agarre firmemente el taladro y coloque la broca en el punto que se vaya a taladrar.
- Comprima el interruptor gatillo de velocidad variable para arrancar el taladro.

Fig. 11



- e. Mueva la broca la taladradora hacia la pieza de trabajo, aplicando solo suficiente presión para mantener la broca “penetrando”. No fuerce el taladro ni aplique presión lateral para alargar un agujero. Deje que la herramienta haga el trabajo.
- f. Cuando taladre superficies duras lisas, utilice primero un punzón centrador para marcar la ubicación deseada del agujero. Esto evitará que la broca taladradora resbale del centro y se desvíe al iniciar el agujero.
- g. Cuando taladre metales, utilice aceite ligero en la broca taladradora para evitar que se sobrecaliente. El aceite prolongará la vida útil de la broca y aumentará la acción de taladrado.
- h. Si la broca se atora en la pieza de trabajo o si el taladro se detiene, pare inmediatamente la herramienta. Retire la broca de la pieza de trabajo y determine el motivo del atoramiento.

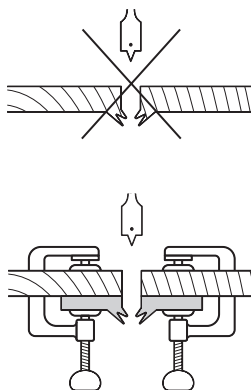
Hay dos reglas para taladrar materiales duros. La primera es que, cuanto más duro sea el material, mayor será la presión que usted tendrá que aplicar a la herramienta. La segunda es que, cuanto más duro sea el material, más lenta deberá ser la velocidad. Si el agujero que se va a taladrar es bastante grande, taladre primero un agujero pequeño y luego aumentelo hasta el tamaño requerido con una broca más grande; a menudo es más rápido a largo plazo que taladrar inicialmente un agujero más grande.

## Taladrado en madera

Para obtener el máximo rendimiento, utilice brocas de acero de alta velocidad o brocas de punta fina para taladrar madera.

- a. Comience a taladrar a una velocidad muy baja para evitar que la broca resbale y se desvíe del punto de inicio.
- b. Aumente la velocidad a medida que la broca penetre en el material.
- c. Cuando taladre agujeros “pasantes”, coloque un bloque de madera detrás de la pieza de trabajo para evitar bordes irregulares o astillados en el lado trasero de la pieza de trabajo (Fig. 12).

**Fig. 12**



**AVISO:** Es posible que las brocas se sobrecalienten a menos que se saquen frecuentemente para eliminar las virutas de las estrías.

## Taladrado en metal

Para obtener el máximo rendimiento, utilice brocas de acero de alta velocidad para taladrar metal o acero.

- a. Cuando taladre metales, utilice aceite ligero en la broca taladradora para evitar que se sobrecaliente. El aceite prolongará la vida útil de la broca y aumentará la eficiencia de taladrado.
- b. Comience a taladrar a una velocidad muy baja para evitar que la broca resbale y se desvíe del punto de inicio.
- c. Mantenga una velocidad y una presión que permitan cortar sin sobrecalentar la broca.

La aplicación de demasiada presión:


- Sobrecalentará el taladro atornillador.
- Desgastará los rodamientos.
- Doblará o quemará las brocas.
- Producirá agujeros descentrados o con forma irregular.

## Taladrado en mampostería

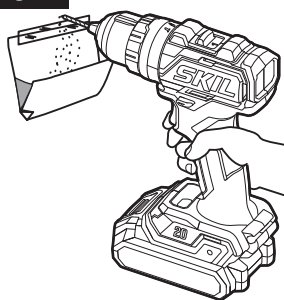
Para lograr el máximo rendimiento, utilice brocas para mampostería con punta de carburo cuando taladre agujeros en ladrillo, baldosa, concreto, etc.

- Mantenga una velocidad y una presión que permitan cortar sin sobrecalentar la broca o el taladro.

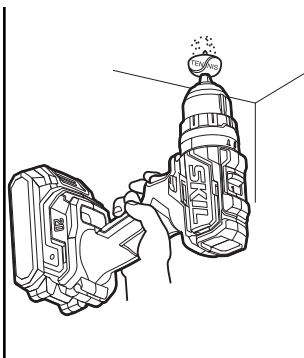
La aplicación de demasiada presión:

- Sobrecalentará el taladro.
- Desgastará los rodamientos.
- Doblará o quemará las brocas.
- Producirá agujeros descentrados o con forma irregular.
- Aplique una presión ligera y una velocidad intermedia para obtener los mejores resultados en ladrillo.
- Aplique presión adicional para materiales duros tales como concreto.
- Usted puede hacer un colector de polvo improvisado pegando con cinta adhesiva un pedazo de papel plegado (o una carpeta de archivo) a una pared, para reducir la cantidad de polvo cuando se taladre en paredes (Fig. 13).
- Una pelota de tenis cortada por la mitad puede servir de colector de polvo cuando se taladre en techos (Fig. 13).
- Cuando taladre agujeros en baldosa, practique en un pedazo de material de desecho para determinar la mejor velocidad y la mejor presión. Para evitar que la broca taladradora patine o se deslice, aplique primero dos pedazos de cinta de enmascaramiento para crear una forma de "X" sobre el punto de taladrado previsto (Fig. 13). Para evitar daños a las baldosas, no haga funcionar la herramienta en la configuración de taladrado de percusión .
- Comience a taladrar a una velocidad muy baja para evitar que la broca resbale y se desvíe del punto de inicio.

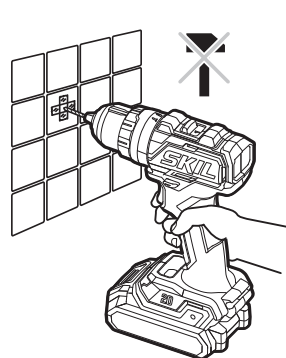
**Fig. 13**



Taladrado libre de polvo en paredes



Taladrado libre de polvo en techos



Taladrado en baldosas sin patinar

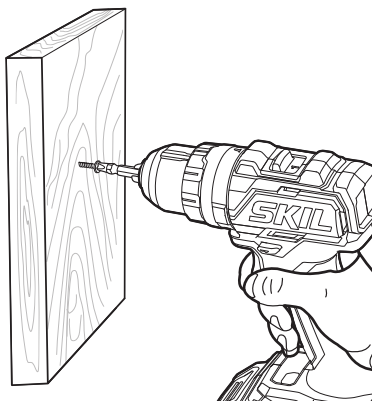


## Apriete de tornillos (Fig. 14)

Intente utilizar tornillos de tipo estándar para apretarlos fácilmente y tener un agarre mejorado.

- a. Instale la broca atornilladora correcta.
- b. Asegúrese de que el anillo de ajuste de la fuerza de torsión esté colocado en la configuración más adecuada. Si tiene dudas, comience con un ajuste bajo y aumente gradualmente el ajuste según sea necesario. No cambie el ajuste de la fuerza de torsión cuando la herramienta esté en funcionamiento.
- c. Utilice el intervalo de velocidad correcto para el trabajo y aplique inicialmente una presión mínima al interruptor gatillo de velocidad variable. Aumente la velocidad solo cuando se pueda mantener un control completo.
- d. Es aconsejable taladrar primero un agujero piloto. Este agujero deberá ser ligeramente más largo que el tornillo que se vaya a apretar y justo más pequeño que el diámetro del vástago del tornillo. El agujero piloto actuará como guía para el tornillo y también hará que apretar el tornillo sea menos difícil. Cuando los tornillos estén posicionados cerca de un borde del material, un agujero piloto también ayudará a evitar que la madera se raje.
- e. Utilice una broca avellanadora (vendida por separado) para acomodar la cabeza del tornillo de manera que no sobresalga de la superficie.
- f. Mantenga suficiente presión sobre el taladro para evitar que la broca gire fuera de la cabeza del tornillo. La cabeza del tornillo puede resultar dañada fácilmente, lo cual hará difícil apretar completamente o extraer el tornillo.
- g. Para detener el taladro/atornillador, suelte el interruptor gatillo y deje que la herramienta se detenga por completo.

Fig. 14



## Cierre automático del husillo

El bloqueo automático del husillo permite usar la herramienta como si fuera un destornillador manual. Usted puede dar un giro adicional para apretar firmemente un tornillo, aflojar un tornillo muy apretado o seguir trabajando cuando la carga de la batería se agote. Para fines de uso como destornillador manual, el mandril se bloquea automáticamente cuando la herramienta está apagada.

## MANTENIMIENTO

**⚠ ADVERTENCIA** Para evitar lesiones personales graves, siempre retire el paquete de baterías de la herramienta cuando limpie o realice cualquier mantenimiento.

### Reparación

**⚠ ADVERTENCIA** El mantenimiento preventivo realizado por personal no autorizado puede derivar en la mala colocación de los cables y componentes internos y causar un riesgo grave. Recomendamos que toda reparación de la herramienta la realice un centro de servicio de la fábrica SKIL o una estación de servicio autorizada de SKIL.

### Mantenimiento general

**⚠ ADVERTENCIA** Al realizar mantenimiento, utilice solo piezas de repuesto idénticas a las de fabricación. El uso de cualquier otra pieza puede generar peligro o causar daños en el producto.

Inspeccione el producto periódicamente para verificar que no haya piezas dañadas, faltantes o flojas, como tornillos, tuercas, pernos, tapas, etc. Apriete bien todos los sujetadores y las tapas y no use este producto hasta que se hayan reemplazado todas las piezas faltantes o dañadas. Póngase en contacto con el servicio al cliente o con un centro de servicio autorizado para recibir ayuda.

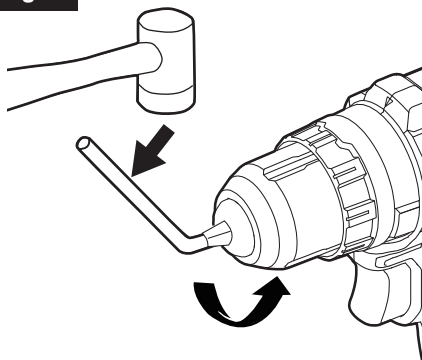
### Remoción del mandril (Fig. 15)

El mandril de fijación sin llave se puede retirar y reemplazar.

- Fije el interruptor gatillo poniendo el selector del sentido de rotación en la posición central.
- Abra las mandíbulas del mandril.
- Utilice un destornillador (no incluido) para retirar el tornillo del mandril girándolo en el sentido de las agujas del reloj.
- Inserte una llave hexagonal de 5/16 de pulgada o más grande (no incluida) en el mandril de la herramienta y apriete firmemente las mandíbulas del mandril alrededor de la llave hexagonal.
- Golpee fuertemente la llave hexagonal con un mazo (no incluido) en sentido contrario al de las agujas del reloj. Esto aflojará el mandril para poder retirarlo fácilmente.

**AVISO:** El tornillo del mandril tiene roscas a izquierdas. Instale un mandril nuevo en el husillo y apriete el tornillo del mandril.

**Fig. 15**



## Limpieza

La herramienta se puede limpiar mejor con aire comprimido seco.

**⚠ ADVERTENCIA** Siempre use gafas de seguridad al usar herramientas de limpieza con aire comprimido. Las aberturas de ventilación y los selectores del interruptor deben mantenerse limpios y libres de materiales extraños. No intente limpiar insertando objetos puntiagudos a través de las aberturas.

**⚠ ADVERTENCIA** Determinados solventes y agentes de limpieza dañan las piezas de plástico. Algunos de estos son: Gasolina, tetracloruro de carbono, solventes de limpieza con cloro, amoníaco y detergentes domésticos que contienen amoníaco.

## Almacenamiento

Almacene la herramienta en un lugar cerrado que no sea accesible para los niños. Manténgala alejada de agentes corrosivos.

## RESOLUCIÓN DE PROBLEMAS

Problema	Causa	Remedio
La herramienta no arranca.	<ol style="list-style-type: none"><li>1. El paquete de batería está agotado.</li><li>2. El paquete de batería no está instalado correctamente.</li><li>3. Interruptor quemado.</li></ol>	<ol style="list-style-type: none"><li>1. Cargue la batería.</li><li>2. Confirme que la batería está fija y firmemente sujeta en la herramienta.</li><li>3. Haga que el interruptor sea reemplazado por un Centro de Servicio SKIL Autorizado o una Estación de Servicio SKIL Autorizada.</li></ol>
La broca no se puede instalar.	<ol style="list-style-type: none"><li>1. El mandril no se ha liberado.</li><li>2. La broca no encaja en el mandril.</li></ol>	<ol style="list-style-type: none"><li>1. Libere el mandril.</li><li>2. Utilice una broca apropiada o use un adaptador adecuado.</li></ol>
El motor se sobrecalienta	Las ranuras de ventilación están obstruidas.	Limpie y despeje las ranuras de ventilación. No cubra las ranuras con la mano durante la utilización.
La LUZ DE TRABAJO parpadea rápidamente.	La herramienta ha dejado de funcionar para proteger los componentes electrónicos internos.	Suelte el interruptor gatillo, espere a que la herramienta se enfríe y luego arranque de nuevo la herramienta.
La LUZ DE TRABAJO parpadea lentamente.	La carga de la batería es muy baja.	Cargue la batería.

# **GARANTÍA LIMITADA PARA HERRAMIENTA SKIL**

## **5 AÑO DE GARANTÍA LIMITADA**

Chervon North America, Inc. (“Vendedor”) garantiza únicamente al comprador original que ninguna HERRAMIENTA SKIL del consumidor presentará defectos en los materiales ni la mano de obra durante un período de cinco años a partir de la fecha de compra si el comprador original registra el producto dentro de los 30 días de realizada la compra. Las BATERÍAS y los CARGADORES tienen una garantía de 2 años. El registro del producto se puede completar en línea en [www.Registermyskil.com](http://www.Registermyskil.com). Los compradores originales también deben conservar el recibo como comprobante de compra. EL PERÍODO DE GARANTÍA DE CINCO AÑOS PARA HERRAMIENTAS ESTÁ CONDICIONADA POR EL REGISTRO DEL PRODUCTO DENTRO DE LOS 30 DÍAS DE REALIZADA LA COMPRA. Si los compradores originales no registran el producto de manera oportuna, se aplicará la garantía limitada anterior durante tres años para las herramientas eléctricas. Todas las baterías y los cargadores permanecerán bajo la garantía limitada de dos años.

No obstante lo señalado anteriormente, si se usa una herramienta SKIL del consumidor para fines industriales, profesionales o comerciales, se aplicará la garantía anterior durante noventa días, sin considerar el registro.

LA ÚNICA OBLIGACIÓN DEL VENDEDOR Y SU ÚNICA SOLUCIÓN en virtud de esta garantía limitada y, en la medida en que lo permita la ley, cualquier garantía o condición implícita por la ley, será la reparación o el reemplazo, sin cargo, de las piezas que presentan defectos en el material o la mano de obra y que no se hayan usado de manera incorrecta, que no se hayan manejado sin la debida atención o que las hayan reparado personas que no sean el Vendedor o una estación de servicio autorizada. Para exponer un reclamo en virtud de esta garantía limitada, debe devolver el producto completo, con el transporte prepago, a cualquier centro de servicio de la fábrica SKIL o a cualquier estación de servicio autorizada. Para comunicarse con las estaciones de servicio autorizadas de Skil para reparar su herramienta eléctrica, visite [www.Registermyskil.com](http://www.Registermyskil.com) o llame al 1-877-SKIL-999 (1-877-754-5999).

ESTA GARANTÍA LIMITADA NO SE APLICA A ARTÍCULOS ACCESORIOS, COMO HOJAS DE SIERRA CIRCULAR, BROCAS PARA TALADROS, BROCAS PARA REBAJADORAS, HOJAS DE SIERRA DE VAIVÉN, BANDAS DE LIJADO, DISCOS DE PULIDO Y OTROS ARTÍCULOS RELACIONADOS.

TODA GARANTÍA IMPLÍCITA APLICABLE A UN PRODUCTO DEBE ESTAR LIMITADA A LA MISMA DURACIÓN QUE LA DURACIÓN DE LAS GARANTÍAS EXPRESAS APLICABLES A DICHO PRODUCTO, SEGÚN SE ESTABLECIÓ EN EL PRIMER PÁRRAFO. ALGUNOS ESTADOS EN ESTADOS UNIDOS Y ALGUNAS PROVINCIAS EN CANADÁ NO PERMITEN LIMITACIONES SOBRE EL TIEMPO DE DURACIÓN DE UNA GARANTÍA IMPLÍCITA, DE MODO QUE LA LIMITACIÓN ANTES DESCRITA PUEDE QUE NO SE APLIQUE A USTED.

BAJO NINGUNA CIRCUNSTANCIA, EL VENDEDOR SERÁ RESPONSABLE DE DAÑOS ACCIDENTALES O RESULTANTES (INCLUIDA ENTRE OTRAS, LA RESPONSABILIDAD POR PÉRDIDA DE GANANCIAS) QUE SE ORIGINEN DE LA VENTA O EL USO DE ESTE PRODUCTO. ALGUNOS ESTADOS EN ESTADOS UNIDOS Y ALGUNAS PROVINCIAS EN CANADÁ NO PERMITEN LA EXCLUSIÓN O LIMITACIÓN DE DAÑOS ACCIDENTALES O RESULTANTES, DE MODO QUE LA LIMITACIÓN O EXCLUSIÓN ANTERIOR PUEDE QUE NO SE APLIQUE A USTED.

ESTA GARANTÍA LIMITADA LE OTORGA DERECHOS LEGALES ESPECÍFICOS, Y ES POSIBLE QUE TAMBIÉN TENGA OTROS DERECHOS QUE VARIAN DE UN ESTADO A OTRO EN ESTADOS UNIDOS, DE UNA PROVINCIA A OTRA EN CANADÁ Y DE UN PAÍS A OTRO.

ESTA GARANTÍA LIMITADA SE APLICA SOLAMENTE A PRODUCTOS VENDIDOS EN ESTADOS UNIDOS DE AMÉRICA, CANADÁ Y EL COMMONWEALTH DE PUERTO RICO. PARA TENER UNA COBERTURA DE GARANTÍA EN OTROS PAÍSES, PÓNGASE EN CONTACTO CON SU DISTRIBUIDOR O IMPORTADOR DE SKIL.

© Chervon North America, 1203 E. Warrenville Rd, Naperville, IL 60563.





