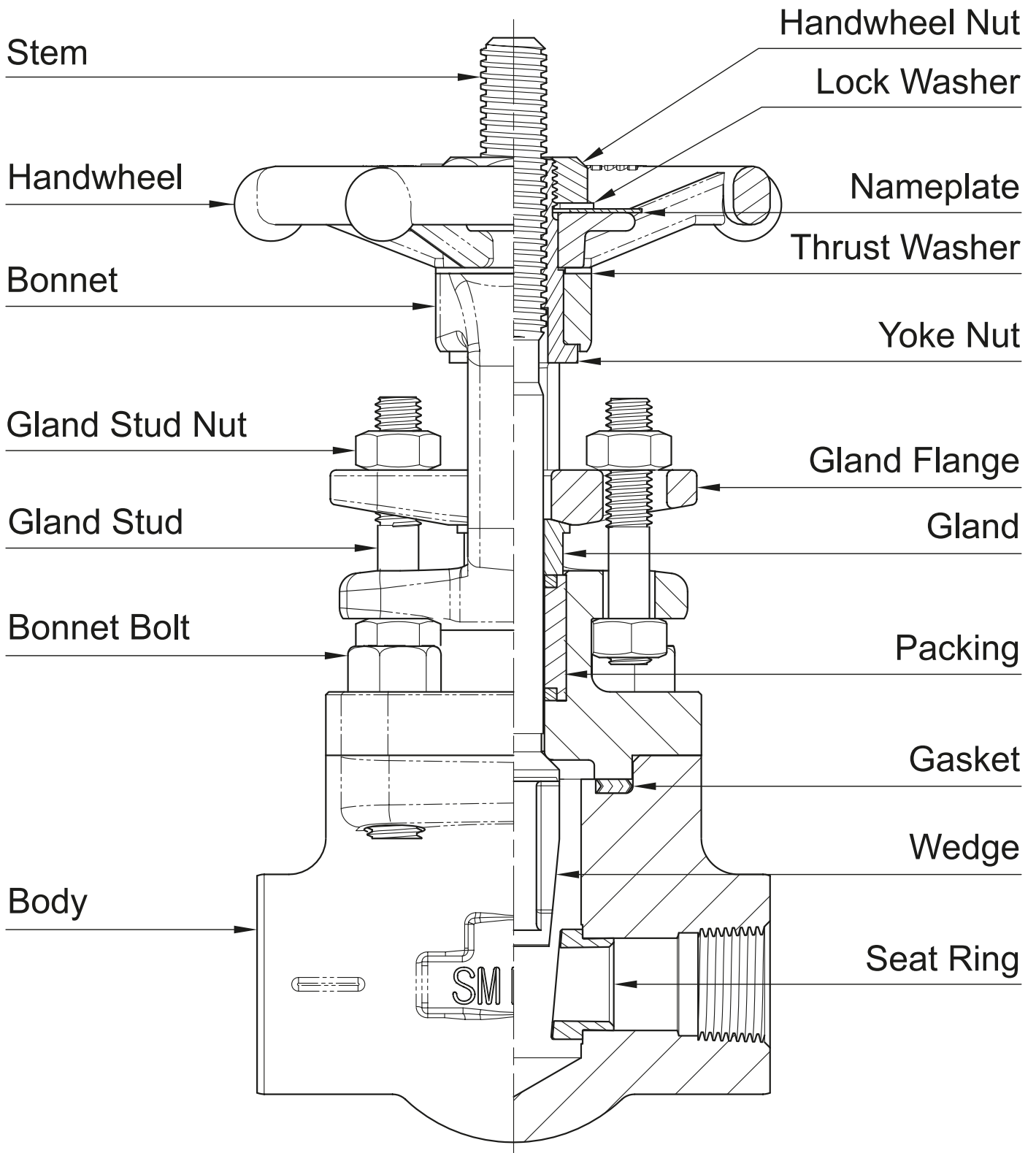




A Trademark of the Newdell Company

SMITH

Gate Valves





A Trademark of the Newdell Company

SMITH

0800-0870

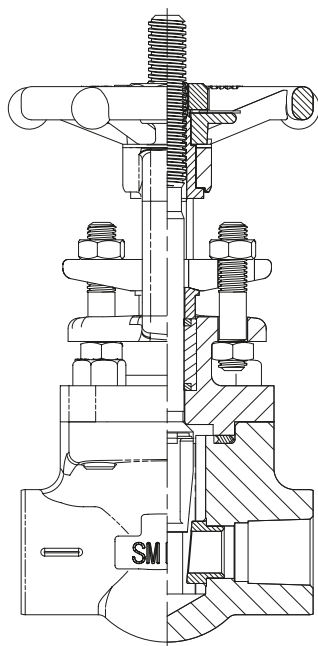
Gate Valves

Forged Steel OS&Y – Conventional Port

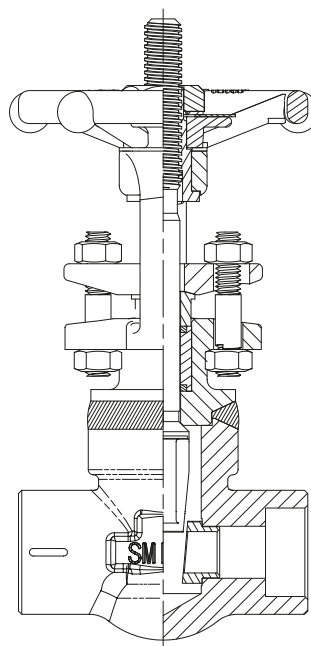
Valves comply with applicable portions of API 602 and ASME B16.34

Class 800

1/4" - 2"



0800



0870

CLASS 800 CONVENTIONAL PORT BOLTED BONNET GATE VALVE - THREADED or SOCKET WELD - INCHES (MM)

| VALVE SIZE NPS (DIN) | END TO END | CENTER TO TOP (OPEN) | HANDWHEEL DIAMETER | PORT DIAMETER | SOCKET DEPTH | SOCKET DIAMETER | NPT THRD | APPROX. WEIGHT LBS (KG) |
|-------------------------|---------------|-------------------------|-----------------------|------------------|-----------------|--------------------|---------------|----------------------------|
| 1/4 (8) | 3.25 (83) | 6.31 (160) | 4.00 (102) | 0.31 (8) | 0.39 (10) | 0.56 (14) | 1/4"-18 | 3.8 (1.7) |
| 3/8 (10) | 3.25 (83) | 6.31 (160) | 4.00 (102) | 0.39 (10) | 0.39 (10) | 0.69 (18) | 3/8"-18 | 3.8 (1.7) |
| 1/2 (15) | 3.25 (83) | 6.31 (160) | 4.00 (102) | 0.39 (10) | 0.39 (10) | 0.86 (22) | 1/2"-14 | 3.8 (1.7) |
| 3/4 (20) | 3.50 (89) | 6.50 (165) | 4.00 (102) | 0.50 (13) | 0.51 (13) | 1.07 (27) | 3/4"-14 | 4.5 (2.0) |
| 1 (25) | 3.88 (98) | 7.25 (184) | 4.00 (102) | 0.75 (19) | 0.51 (13) | 1.34 (34) | 1"-11 1/2 | 6.3 (2.8) |
| 1 1/4 (32) | 4.75 (121) | 9.13 (232) | 5.50 (140) | 1.19 (30) | 0.51 (13) | 1.68 (43) | 1 1/4"-11 1/2 | 9.5 (4.3) |
| 1 1/2 (40) | 4.75 (121) | 9.13 (232) | 5.50 (140) | 1.19 (30) | 0.51 (13) | 1.92 (49) | 1 1/2"-11 1/2 | 12.0 (5.4) |
| 2 (50) | 5.50 (140) | 11.06 (281) | 6.63 (168) | 1.50 (38) | 0.63 (16) | 2.41 (61) | 2"-11 1/2 | 20.5 (9.3) |

CLASS 800 CONVENTIONAL PORT WELDED BONNET GATE VALVE - THREADED or SOCKET WELD - INCHES (MM)

| VALVE SIZE NPS (DIN) | END TO END | CENTER TO TOP (OPEN) | HANDWHEEL DIAMETER | PORT DIAMETER | SOCKET DEPTH | SOCKET DIAMETER | NPT THRD | APPROX. WEIGHT LBS (KG) |
|-------------------------|---------------|-------------------------|-----------------------|------------------|-----------------|--------------------|---------------|----------------------------|
| 1/4 (8) | 3.25 (83) | 6.19 (157) | 4.00 (102) | 0.31 (8) | 0.39 (10) | 0.56 (14) | 1/4"-18 | 3.3 (1.5) |
| 3/8 (10) | 3.25 (83) | 6.25 (159) | 4.00 (102) | 0.39 (10) | 0.39 (10) | 0.69 (18) | 3/8"-18 | 3.3 (1.5) |
| 1/2 (15) | 3.25 (83) | 6.25 (159) | 4.00 (102) | 0.39 (10) | 0.39 (10) | 0.86 (22) | 1/2"-14 | 3.3 (1.5) |
| 3/4 (20) | 3.50 (89) | 6.50 (165) | 4.00 (102) | 0.50 (13) | 0.51 (13) | 1.07 (27) | 3/4"-14 | 3.8 (1.7) |
| 1 (25) | 3.88 (98) | 7.25 (184) | 4.00 (102) | 0.75 (19) | 0.51 (13) | 1.34 (34) | 1"-11 1/2 | 5.3 (2.4) |
| 1 1/4 (32) | 4.75 (121) | 9.13 (232) | 5.50 (140) | 1.19 (30) | 0.51 (13) | 1.68 (43) | 1 1/4"-11 1/2 | 10.3 (4.6) |
| 1 1/2 (40) | 4.75 (121) | 9.13 (232) | 5.50 (140) | 1.19 (30) | 0.51 (13) | 1.92 (49) | 1 1/2"-11 1/2 | 9.8 (4.4) |
| 2 (50) | 5.50 (140) | 11.00 (279) | 6.63 (168) | 1.50 (38) | 0.63 (16) | 2.41 (61) | 2"-11 1/2 | 16.0 (7.3) |



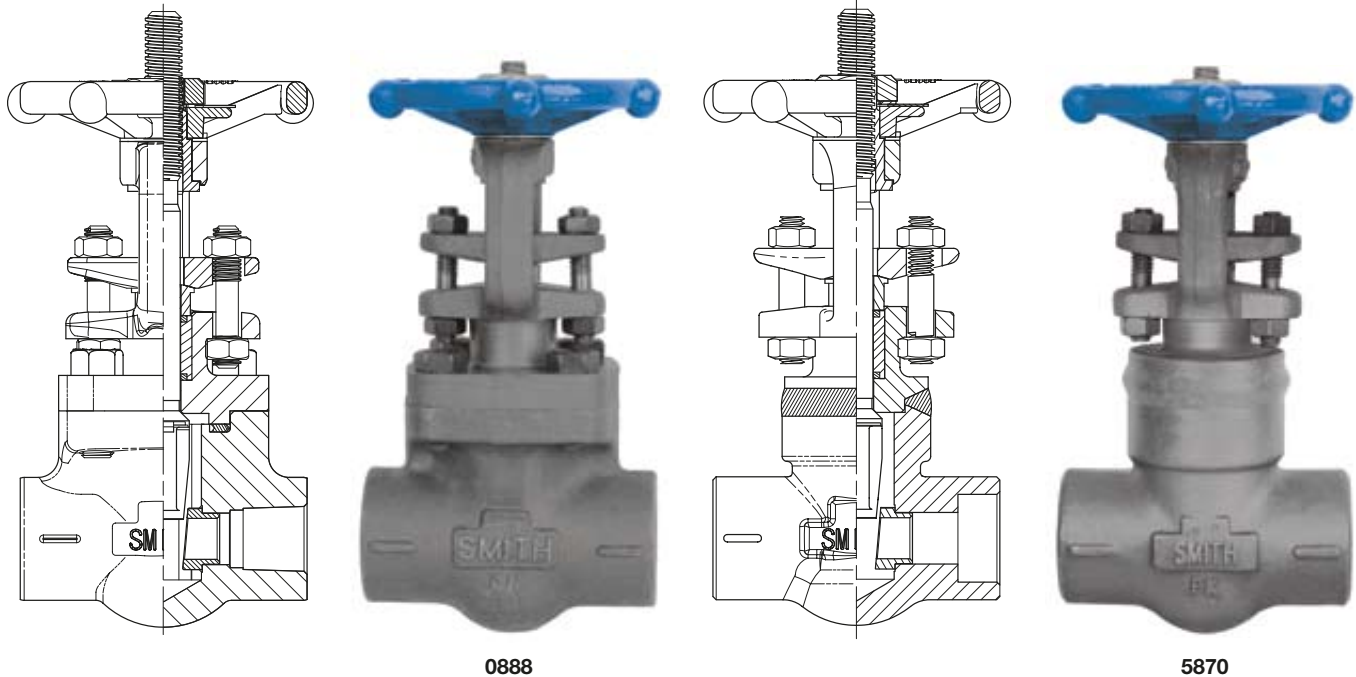
A Trademark of the Newdell Company

SMITH

0888-5870
Gate Valves

Forged Steel OS&Y – Full Port
Valves comply with applicable portions of API 602 and ASME B16.34

Class 800
1/4" - 2"



0888

5870

CLASS 800 FULL PORT BOLTED BONNET GATE VALVE - THREADED or SOCKET WELD - INCHES (MM)

| VALVE SIZE NPS (DIN) | END TO END | CENTER TO TOP (OPEN) | HANDWHEEL DIAMETER | PORT DIAMETER | SOCKET DEPTH | SOCKET DIAMETER | NPT THRD | APPROX. WEIGHT LBS (KG) |
|-------------------------|---------------|-------------------------|-----------------------|------------------|-----------------|--------------------|---------------|----------------------------|
| 1/4 (8) | 3.25 (83) | 6.25 (159) | 4.00 (102) | 0.31 (8) | 0.39 (10) | 0.56 (14) | 1/4"-18 | 3.8 (1.7) |
| 3/8 (10) | 3.25 (83) | 6.31 (160) | 4.00 (102) | 0.39 (10) | 0.39 (10) | 0.69 (18) | 3/8"-18 | 3.8 (1.7) |
| 1/2 (15) | 3.50 (89) | 6.50 (165) | 4.00 (102) | 0.50 (13) | 0.39 (10) | 0.86 (22) | 1/2"-14 | 4.8 (2.2) |
| 3/4 (20) | 3.88 (98) | 7.25 (184) | 4.00 (102) | 0.75 (19) | 0.51 (13) | 1.07 (27) | 3/4"-14 | 6.3 (2.8) |
| 1 (25) | 4.75 (121) | 9.13 (232) | 4.00 (102) | 0.94 (24) | 0.51 (13) | 1.34 (34) | 1"-11 1/2 | 9.8 (4.4) |
| 1 1/4 (32) | 4.75 (121) | 9.13 (232) | 5.50 (140) | 1.19 (30) | 0.51 (13) | 1.68 (43) | 1 1/4"-11 1/2 | 11.5 (5.2) |
| 1 1/2 (40) | 5.50 (140) | 11.06 (281) | 6.63 (168) | 1.50 (38) | 0.51 (13) | 1.92 (49) | 1 1/2"-11 1/2 | 21.8 (9.9) |
| 2 (50) | 5.69 (144) | 12.38 (314) | 6.63 (168) | 2.00 (51) | 0.51 (13) | 1.92 (49) | 1 1/2"-11 1/2 | 24.0 (10.9) |

CLASS 800 FULL PORT WELDED BONNET GATE VALVE - THREADED or SOCKET WELD - INCHES (MM)

| VALVE SIZE NPS (DIN) | END TO END | CENTER TO TOP (OPEN) | HANDWHEEL DIAMETER | PORT DIAMETER | SOCKET DEPTH | SOCKET DIAMETER | NPT THRD | APPROX. WEIGHT LBS (KG) |
|-------------------------|---------------|-------------------------|-----------------------|------------------|-----------------|--------------------|---------------|----------------------------|
| 1/4 (8) | 3.25 (83) | 6.25 (159) | 4.00 (102) | 0.31 (8) | 0.39 (10) | 0.56 (14) | 1/4"-18 | 3.3 (1.5) |
| 3/8 (10) | 3.25 (83) | 6.25 (159) | 4.00 (102) | 0.39 (10) | 0.39 (10) | 0.69 (18) | 3/8"-18 | 3.3 (1.5) |
| 1/2 (15) | 3.50 (89) | 6.50 (165) | 4.00 (102) | 0.50 (13) | 0.39 (10) | 0.86 (22) | 1/2"-14 | 4.3 (1.9) |
| 3/4 (20) | 3.94 (100) | 7.25 (184) | 4.00 (102) | 0.75 (19) | 0.51 (13) | 1.07 (27) | 3/4"-14 | 5.8 (2.6) |
| 1 (25) | 4.75 (121) | 8.94 (227) | 5.50 (140) | 0.94 (24) | 0.51 (13) | 1.34 (34) | 1"-11 1/2 | 10.5 (4.8) |
| 1 1/4 (32) | 4.75 (121) | 9.13 (232) | 5.50 (140) | 1.19 (30) | 0.51 (13) | 1.68 (43) | 1 1/4"-11 1/2 | 10.3 (4.6) |
| 1 1/2 (40) | 5.50 (140) | 11.00 (279) | 6.63 (168) | 1.50 (38) | 0.51 (13) | 1.92 (49) | 1 1/2"-11 1/2 | 17.0 (7.7) |



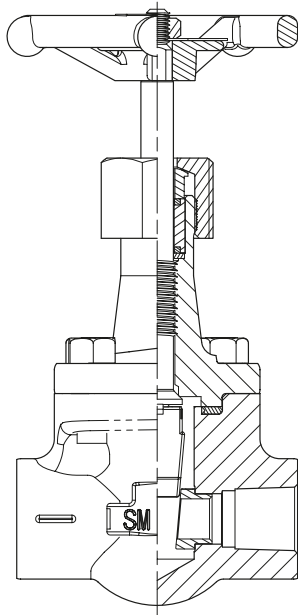
A Trademark of the Newdell Company

SMITH

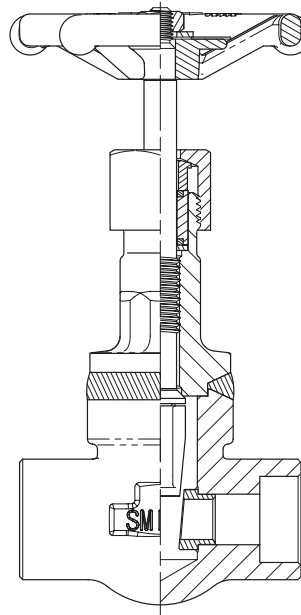
0850-0890
Gate Valves

Forged Steel, Inside Screw – Conventional Port
Valves comply with applicable portions of API 602 and ASME B16.34

Class 800
1/4" - 2"



0850



0890

CLASS 800 INSIDE SCREW RISING STEM BOLTED BONNET GATE VALVE - THREADED or SOCKET WELD - INCHES (MM)

| VALVE SIZE NPS (DIN) | END TO END | CENTER TO TOP (OPEN) | HANDWHEEL DIAMETER | PORT DIAMETER | SOCKET DEPTH | SOCKET DIAMETER | NPT THRD | APPROX. WEIGHT LBS (KG) |
|-------------------------|---------------|-------------------------|-----------------------|------------------|-----------------|--------------------|---------------|----------------------------|
| 1/4 (8) | 3.25 (83) | 6.13 (156) | 4.00 (102) | 0.31 (8) | 0.39 (10) | 0.56 (14) | 1/4"-18 | 3.5 (1.6) |
| 3/8 (10) | 3.25 (83) | 6.19 (157) | 4.00 (102) | 0.39 (10) | 0.39 (10) | 0.69 (18) | 3/8"-18 | 3.5 (1.6) |
| 1/2 (15) | 3.25 (83) | 6.19 (157) | 4.00 (102) | 0.39 (10) | 0.39 (10) | 0.86 (22) | 1/2"-14 | 3.5 (1.6) |
| 3/4 (20) | 3.50 (89) | 6.38 (162) | 4.00 (102) | 0.50 (13) | 0.51 (13) | 1.07 (27) | 3/4"-14 | 4.3 (1.9) |
| 1 (25) | 3.88 (98) | 7.75 (197) | 4.63 (117) | 0.75 (19) | 0.51 (13) | 1.34 (34) | 1"-11 1/2 | 6.0 (2.7) |
| 1 1/4 (32) | 4.75 (121) | 10.25 (260) | 4.63 (117) | 1.19 (30) | 0.51 (13) | 1.68 (43) | 1 1/4"-11 1/2 | 12.3 (5.6) |
| 1 1/2 (40) | 4.75 (121) | 10.25 (260) | 5.50 (140) | 1.19 (30) | 0.51 (13) | 1.92 (49) | 1 1/2"-11 1/2 | 11.8 (5.3) |
| 2 (50) | 5.50 (140) | 11.75 (298) | 5.50 (140) | 1.50 (38) | 0.63 (16) | 2.41 (61) | 2"-11 1/2 | 19.0 (8.6) |

CLASS 800 INSIDE SCREW RISING STEM WELDED BONNET GATE VALVE - THREADED or SOCKET WELD - INCHES (MM)

| VALVE SIZE NPS (DIN) | END TO END | CENTER TO TOP (OPEN) | HANDWHEEL DIAMETER | PORT DIAMETER | SOCKET DEPTH | SOCKET DIAMETER | NPT THRD | APPROX. WEIGHT LBS (KG) |
|-------------------------|---------------|-------------------------|-----------------------|------------------|-----------------|--------------------|---------------|----------------------------|
| 1/4 (8) | 3.25 (83) | 6.13 (156) | 4.00 (102) | 0.31 (8) | 0.39 (10) | 0.56 (14) | 1/4"-18 | 3.3 (1.5) |
| 3/8 (10) | 3.25 (83) | 6.13 (156) | 4.00 (102) | 0.39 (10) | 0.39 (10) | 0.69 (18) | 3/8"-18 | 3.0 (1.4) |
| 1/2 (15) | 3.25 (83) | 6.19 (157) | 4.00 (102) | 0.39 (10) | 0.39 (10) | 0.86 (22) | 1/2"-14 | 3.0 (1.4) |
| 3/4 (20) | 3.50 (89) | 6.19 (157) | 4.00 (102) | 0.50 (13) | 0.51 (13) | 1.07 (27) | 3/4"-14 | 3.8 (1.7) |
| 1 (25) | 3.88 (98) | 7.75 (197) | 4.63 (117) | 0.75 (19) | 0.51 (13) | 1.34 (34) | 1"-11 1/2 | 5.5 (2.5) |
| 1 1/4 (32) | 4.75 (121) | 10.25 (260) | 4.63 (117) | 1.19 (30) | 0.51 (13) | 1.68 (43) | 1 1/4"-11 1/2 | 10.3 (4.6) |
| 1 1/2 (40) | 4.75 (121) | 10.25 (260) | 5.50 (140) | 1.19 (30) | 0.51 (13) | 1.92 (49) | 1 1/2"-11 1/2 | 9.8 (4.4) |
| 2 (50) | 5.50 (140) | 11.75 (298) | 5.50 (140) | 1.50 (38) | 0.63 (16) | 2.41 (61) | 2"-11 1/2 | 15.3 (6.9) |



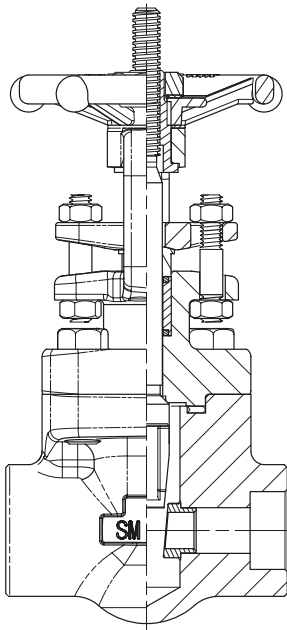
A Trademark of the Newdell Company

SMITH

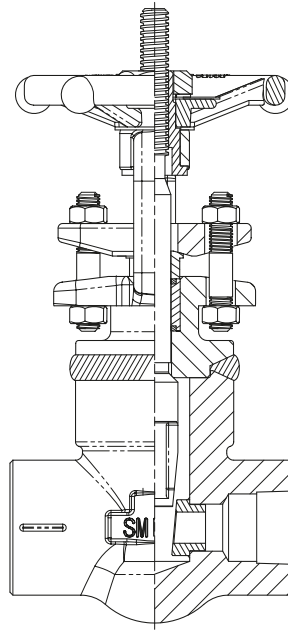
**1500-1570
Gate Valves**

Forged Steel OS&Y – Conventional Port
Valves comply with applicable portions of API 602 and ASME B16.34

Class 1500
1/4" - 2"



1500



1570

| CLASS 1500 CONVENTIONAL PORT BOLTED BONNET GATE VALVE - THREADED or SOCKET WELD - INCHES (MM) | | | | | | | | |
|---|---------------|-------------------------|-----------------------|------------------|-----------------|--------------------|---------------|----------------------------|
| VALVE SIZE NPS (DIN) | END TO END | CENTER TO TOP (OPEN) | HANDWHEEL DIAMETER | PORT DIAMETER | SOCKET DEPTH | SOCKET DIAMETER | NPT THRD | APPROX. WEIGHT LBS (KG) |
| 1/4 (8) | 3.50 (89) | 6.50 (165) | 4.00 (102) | 0.31 (8) | 0.39 (10) | 0.56 (14) | 1/4"-18 | 5.3 (2.4) |
| 3/8 (10) | 3.50 (89) | 6.50 (165) | 4.00 (102) | 0.39 (10) | 0.39 (10) | 0.69 (18) | 3/8"-18 | 5.3 (2.4) |
| 1/2 (15) | 3.50 (89) | 6.50 (165) | 4.00 (102) | 0.39 (10) | 0.39 (10) | 0.86 (22) | 1/2"-14 | 5.0 (2.3) |
| 3/4 (20) | 3.88 (98) | 7.25 (184) | 4.00 (102) | 0.50 (13) | 0.51 (13) | 1.07 (27) | 3/4"-14 | 7.3 (3.3) |
| 1 (25) | 4.75 (121) | 8.94 (227) | 5.50 (140) | 0.75 (19) | 0.51 (13) | 1.34 (34) | 1"-11 1/2 | 14.0 (6.4) |
| 1 1/4 (32) | 5.50 (140) | 11.00 (279) | 6.63 (168) | 1.19 (30) | 0.51 (13) | 1.68 (43) | 1 1/4"-11 1/2 | 23.0 (10.4) |
| 1 1/2 (40) | 5.50 (140) | 11.00 (279) | 6.63 (168) | 1.19 (30) | 0.51 (13) | 1.92 (49) | 1 1/2"-11 1/2 | 22.5 (10.2) |
| 2 (50) | 6.25 (159) | 11.56 (294) | 6.63 (168) | 1.50 (38) | 0.63 (16) | 2.41 (61) | 2"-11 1/2 | 29.5 (13.4) |

| CLASS 1500 CONVENTIONAL PORT WELDED BONNET GATE VALVE - THREADED or SOCKET WELD - INCHES (MM) | | | | | | | | |
|---|---------------|-------------------------|-----------------------|------------------|-----------------|--------------------|---------------|----------------------------|
| VALVE SIZE NPS (DIN) | END TO END | CENTER TO TOP (OPEN) | HANDWHEEL DIAMETER | PORT DIAMETER | SOCKET DEPTH | SOCKET DIAMETER | NPT THRD | APPROX. WEIGHT LBS (KG) |
| 1/4 (8) | 3.50 (89) | 6.31 (160) | 4.00 (102) | 0.31 (8) | 0.39 (10) | 0.56 (14) | 1/4"-18 | 4.8 (2.2) |
| 3/8 (10) | 3.50 (89) | 6.38 (162) | 4.00 (102) | 0.39 (10) | 0.39 (10) | 0.69 (18) | 3/8"-18 | 4.8 (2.2) |
| 1/2 (15) | 3.50 (89) | 6.38 (162) | 4.00 (102) | 0.39 (10) | 0.39 (10) | 0.86 (22) | 1/2"-14 | 4.5 (2.0) |
| 3/4 (20) | 3.88 (98) | 7.00 (178) | 4.00 (102) | 0.50 (13) | 0.51 (13) | 1.07 (27) | 3/4"-14 | 6.0 (2.7) |
| 1 (25) | 4.75 (121) | 8.75 (222) | 5.50 (140) | 0.75 (19) | 0.51 (13) | 1.34 (34) | 1"-11 1/2 | 11.3 (5.1) |
| 1 1/4 (32) | 5.50 (140) | 10.69 (272) | 6.63 (168) | 1.19 (30) | 0.51 (13) | 1.68 (43) | 1 1/4"-11 1/2 | 17.8 (8.1) |
| 1 1/2 (40) | 5.50 (140) | 10.69 (272) | 6.63 (168) | 1.19 (30) | 0.51 (13) | 1.92 (49) | 1 1/2"-11 1/2 | 17.5 (7.9) |
| 2 (50) | 6.25 (159) | 11.06 (281) | 6.63 (168) | 1.50 (38) | 0.63 (16) | 2.41 (61) | 2"-11 1/2 | 24.2 (11.0) |



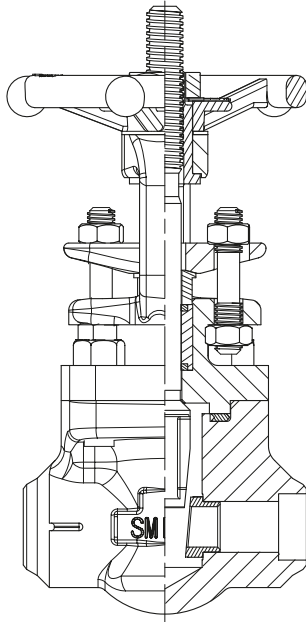
A Trademark of the Newdell Company

SMITH

**0800B-1500B
Gate Valves**

**Forged Steel OS&Y – Conventional Port
Valves comply with applicable portions of API 602 and ASME B16.34**

**Class 800
1/2" - 2"**



0800B

* Also available in Class 1500, see below for dimensional information

CLASS 800 CONVENTIONAL PORT BOLTED BONNET GATE VALVE - BUTT WELD ENDS-INCHES (MM)

| VALVE SIZE NPS (DN) | END TO END | CENTER TO TOP (OPEN) | HANDWHEEL DIAMETER | PORT DIAMETER | APPROX. WEIGHT LBS (KG) |
|------------------------|---------------|-------------------------|-----------------------|------------------|----------------------------|
| 1/2 (15) | 3.25 (83) | 6.31 (160) | 4.00 (102) | 0.31 (8) | 3.8 (1.7) |
| 3/4 (20) | 3.50 (89) | 6.50 (165) | 4.00 (102) | 0.50 (13) | 4.5 (2.0) |
| 1 (25) | 3.88 (98) | 7.25 (184) | 4.00 (102) | 0.66 (17) | 6.3 (2.8) |
| 1 1/4 (32) | 4.75 (121) | 9.13 (232) | 5.50 (140) | 1.19 (30) | 9.5 (4.3) |
| 1 1/2 (40) | 4.75 (121) | 9.13 (232) | 5.50 (140) | 1.19 (30) | 12.0 (5.4) |
| 2 (50) | 5.50 (140) | 11.06 (281) | 6.63 (168) | 1.50 (38) | 20.5 (9.3) |

CLASS 1500 CONVENTIONAL PORT BOLTED BONNET GATE VALVE - BUTT WELD ENDS-INCHES (MM)

| VALVE SIZE NPS (DN) | END TO END | CENTER TO TOP (OPEN) | HANDWHEEL DIAMETER | PORT DIAMETER | APPROX. WEIGHT LBS (KG) |
|------------------------|---------------|-------------------------|-----------------------|------------------|----------------------------|
| 1/2 (15) | 3.50 (89) | 6.50 (165) | 4.00 (102) | 0.31 (8) | 5.0 (2.3) |
| 3/4 (20) | 3.88 (98) | 7.25 (184) | 4.00 (102) | 0.50 (13) | 7.3 (3.3) |
| 1 (25) | 4.75 (121) | 8.94 (227) | 5.50 (140) | 0.66 (17) | 14.0 (6.4) |
| 1 1/4 (32) | 5.50 (140) | 11.00 (279) | 6.63 (168) | 1.19 (30) | 23.0 (10.4) |
| 1 1/2 (40) | 5.50 (140) | 11.00 (279) | 6.63 (168) | 1.19 (30) | 22.5 (10.2) |
| 2 (50) | 6.25 (159) | 11.56 (294) | 6.63 (168) | 1.50 (38) | 29.5 (13.4) |



A Trademark of the Newdell Company

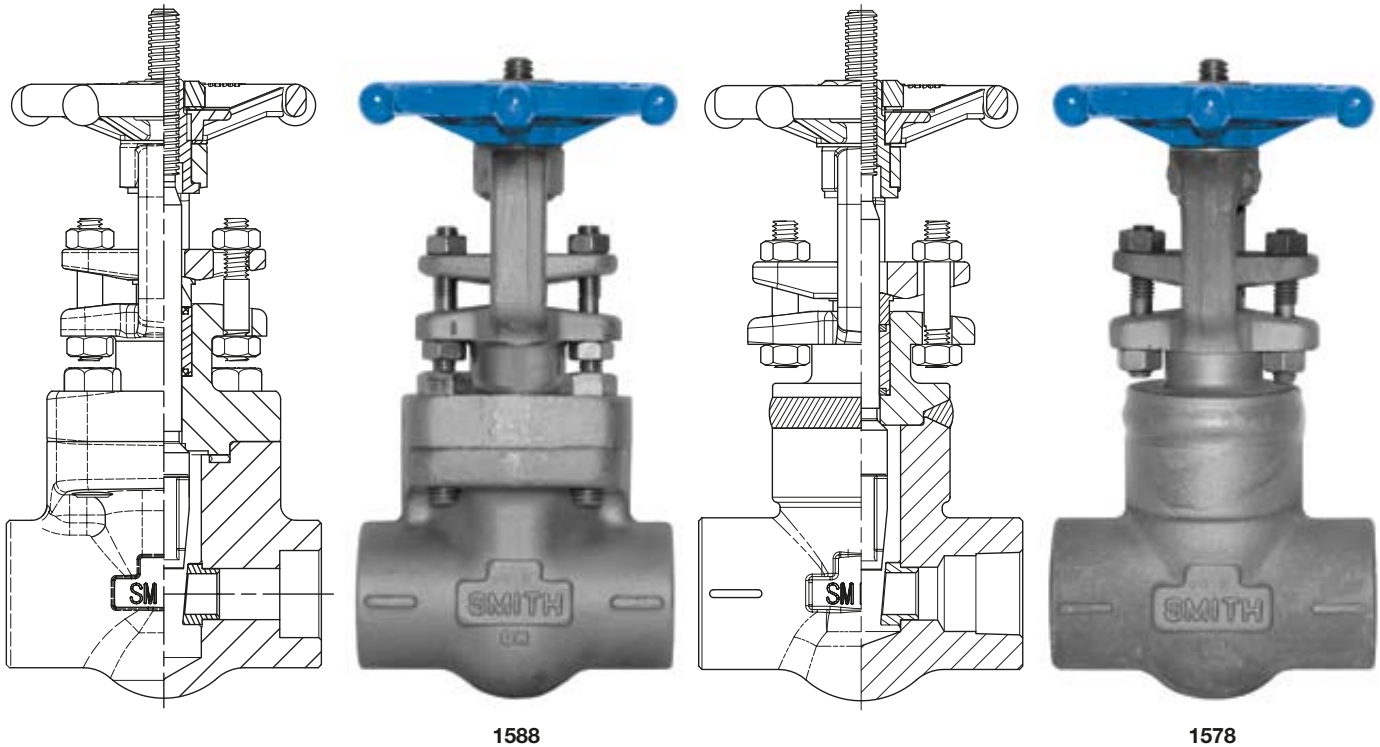
SMITH

**1588-1578
Gate Valves**

Forged Steel OS&Y – Full Port

Valves comply with applicable portions of API 602 and ASME B16.34

**Class 1500
1/4" - 1-1/2"**



CLASS 1500 FULL PORT BOLTED BONNET GATE VALVE - THREADED or SOCKET WELD - INCHES (MM)

| VALVE SIZE NPS (DIN) | END TO END | CENTER TO TOP (OPEN) | HANDWHEEL DIAMETER | PORT DIAMETER | SOCKET DEPTH | SOCKET DIAMETER | NPT THRD | APPROX. WEIGHT LBS (KG) |
|-------------------------|---------------|-------------------------|-----------------------|------------------|-----------------|--------------------|---------------|----------------------------|
| 1/4 (8) | 3.50 (89) | 6.44 (164) | 4.00 (102) | 0.31 (8) | 0.39 (10) | 0.56 (14) | 1/4"-18 | 5.3 (2.4) |
| 3/8 (10) | 3.50 (89) | 6.50 (165) | 4.00 (102) | 0.39 (10) | 0.39 (10) | 0.69 (18) | 3/8"-18 | 5.3 (2.4) |
| 1/2 (15) | 3.94 (100) | 6.88 (175) | 4.00 (102) | 0.50 (13) | 0.39 (10) | 0.86 (22) | 1/2"-14 | 7.5 (3.4) |
| 3/4 (20) | 4.75 (121) | 8.94 (227) | 4.00 (102) | 0.75 (19) | 0.51 (13) | 1.07 (27) | 3/4"-14 | 14.8 (6.7) |
| 1 (25) | 4.75 (121) | 9.06 (230) | 5.50 (140) | 0.94 (24) | 0.51 (13) | 1.34 (34) | 1"-11 1/2 | 23.5 (10.7) |
| 1 1/4 (32) | 5.50 (140) | 11.00 (279) | 6.63 (168) | 1.19 (30) | 0.51 (13) | 1.68 (43) | 1 1/4"-11 1/2 | 23.0 (10.4) |
| 1 1/2 (40) | 6.25 (159) | 11.56 (294) | 6.63 (168) | 1.50 (38) | 0.51 (13) | 1.92 (49) | 1 1/2"-11 1/2 | 30.5 (13.8) |

CLASS 1500 FULL PORT WELDED BONNET GATE VALVE - THREADED or SOCKET WELD - INCHES (MM)

| VALVE SIZE NPS (DIN) | END TO END | CENTER TO TOP (OPEN) | HANDWHEEL DIAMETER | PORT DIAMETER | SOCKET DEPTH | SOCKET DIAMETER | NPT THRD | APPROX. WEIGHT LBS (KG) |
|-------------------------|---------------|-------------------------|-----------------------|------------------|-----------------|--------------------|---------------|----------------------------|
| 1/4 (8) | 3.50 (89) | 6.31 (160) | 4.00 (102) | 0.31 (8) | 0.39 (10) | 0.56 (14) | 1/4"-18 | 4.8 (2.2) |
| 3/8 (10) | 3.50 (89) | 6.38 (162) | 4.00 (102) | 0.39 (10) | 0.39 (10) | 0.69 (18) | 3/8"-18 | 4.8 (2.2) |
| 1/2 (15) | 3.88 (98) | 7.00 (178) | 4.00 (102) | 0.50 (13) | 0.39 (10) | 0.86 (22) | 1/2"-14 | 6.3 (2.8) |
| 3/4 (20) | 4.75 (121) | 8.75 (222) | 4.00 (102) | 0.75 (19) | 0.51 (13) | 1.07 (27) | 3/4"-14 | 11.5 (5.2) |
| 1 (25) | 4.75 (121) | 8.94 (227) | 5.50 (140) | 0.94 (24) | 0.51 (13) | 1.34 (34) | 1"-11 1/2 | 19.0 (8.6) |
| 1 1/4 (32) | 5.50 (140) | 10.69 (272) | 6.63 (168) | 1.19 (30) | 0.51 (13) | 1.68 (43) | 1 1/4"-11 1/2 | 17.8 (8.1) |
| 1 1/2 (40) | 6.25 (159) | 11.06 (281) | 6.63 (168) | 1.50 (38) | 0.51 (13) | 1.92 (49) | 1 1/2"-11 1/2 | 25.0 (11.3) |



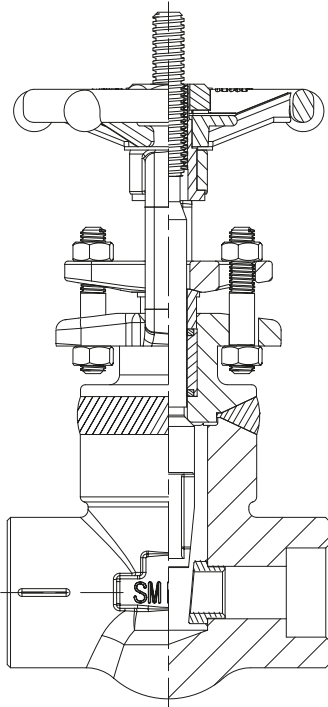
A Trademark of the Newdell Company

SMITH

**2578
Gate Valves**

Forged Steel OS&Y – Full Port
Valves comply with applicable portions of API 602 and ASME B16.34

Class 2500
1/2" - 2"



2578

CLASS 2500 FULL PORT WELDED BONNET GATE VALVE - THREADED or SOCKET ENDS - INCHES (MM)

| VALVE SIZE NPS (DN) | END TO END | CENTER TO TOP (OPEN) | HANDWHEEL DIAMETER | PORT DIAMETER | SOCKET DEPTH | SOCKET DIAMETER | NPT THRD | APPROX. WEIGHT LBS (KG) |
|------------------------|---------------|-------------------------|-----------------------|------------------|-----------------|--------------------|---------------|----------------------------|
| 1/2 (15) | 3.88 (98) | 7.26 (184) | 4.00 (102) | 0.50 (13) | 0.39 (10) | 0.86 (22) | 1/2"-14 | 6.3 (2.8) |
| 3/4 (20) | 4.65 (118) | 9.05 (230) | 5.50 (140) | 0.75 (19) | 0.51 (13) | 1.07 (27) | 3/4"-14 | 11.3 (5.1) |
| 1 (25) | 5.40 (137) | 9.44 (240) | 5.50 (140) | 0.94 (24) | 0.51 (13) | 1.34 (34) | 1"-11 1/2 | 17.8 (8.1) |
| 1 1/2 (40) | 6.15 (156) | 12.06 (306) | 6.63 (168) | 1.50 (38) | 0.51 (13) | 1.93 (49) | 1 1/2"-11 1/2 | 18.5 (8.4) |
| 2 (50) | 6.15 (156) | 12.06 (306) | 6.63 (168) | 1.50 (38) | 0.63 (16) | 2.42 (61) | 2"-11 1/2 | 18.5 (8.4) |