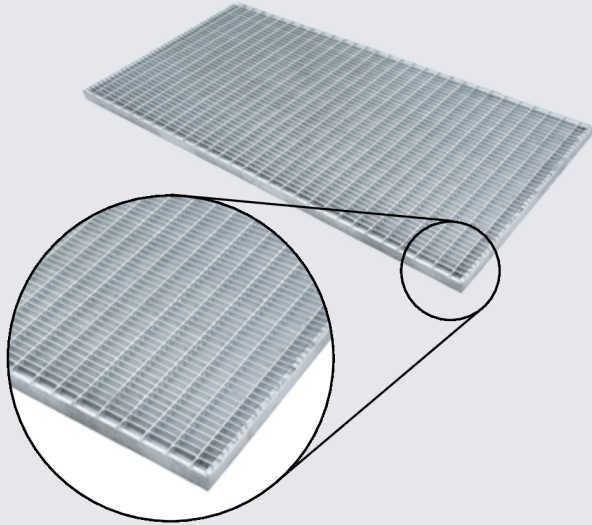




PRODUCT DATA SHEET BLACK PAW STANDARD WELDED STEEL BAR GRATING 3/16" 3'x20' - 1", 1 1/4", 1 1/5"

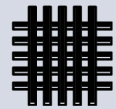
A versatile product with applications beyond standard industrial usage, Standard Welded Steel Bar Grating can be used in applications as wide-ranging as platforms, catwalks, and mezzanines to fencing, benches, shelving, or ventilation covers. Our Standard Welded Steel Bar Grating is available in 1", 1.25" and 1.5" depths.

Surface Type (A)	Standard Welded Steel
Span (B)	20'
Bar Depth (C)	1", 1 1/4", 1 1/2"
Bearing Bar Width (D)	3/16"
Bearing Bar Spacing (E)	1 3/16"
Cross Bar Spacing (F)	3 3/4"
Cross Bar (G)	1"
Grating Sheet Size	3' x 20'



This product data sheet is provided for informational purposes only.

Steel Welded Bar: Highly resistant to corrosion and ideal for harsh environments.



Load Capacity: Designed to handle various load requirements, from light pedestrian traffic to heavy industrial loads.



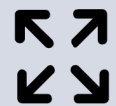
Ventilation and Drainage: The open design allows for good airflow and drainage, making it suitable for environments where liquids are present.



Slip Resistance: Often features slip-resistant surfaces, making it safer for use in wet or oily conditions.



Custom Sizes and Configurations: Can be cut to size and configured for various applications, including stair treads and platforms.



Durable: Highly durable and resistant to wear and impact, suitable for heavy-duty applications.



Ease of Installation: Lightweight and easy to handle, often can be installed using standard tools.



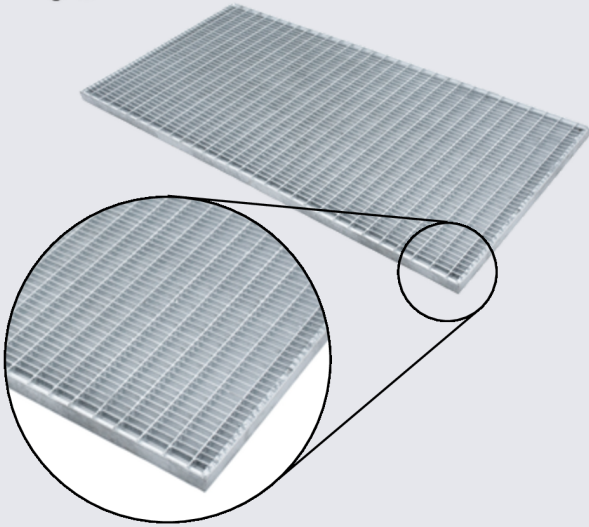
Environmental Resistance: Treated for additional resistance to chemicals, UV light, and extreme temperatures.





PRODUCT DATA SHEET BLACK PAW STANDARD WELDED STEEL BAR GRATING 3/16" 3'x20' - 1", 1 1/4", 1 1/5"

A versatile product with applications beyond standard industrial usage, Standard Welded Steel Bar Grating can be used in applications as wide-ranging as platforms, catwalks, and mezzanines to fencing, benches, shelving, or ventilation covers. Our Standard Welded Steel Bar Grating is available in 1", 1.25" and 1.5" depths.



Surface Type (A)	Standard Welded Steel
Span (B)	20'
Bar Depth (C)	1", 1 1/4", 1 1/2"
Bearing Bar Width (D)	3/16"
Bearing Bar Spacing (E)	1 3/16
Cross Bar Spacing (F)	3 3/4"
Cross Bar (G)	1"
Grating Sheet Size	3' x 20'

