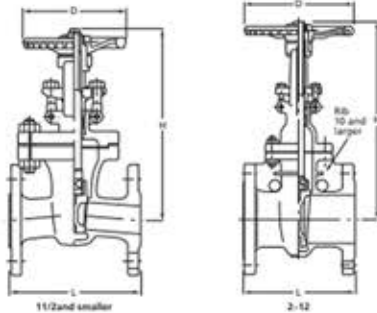


# Class 150 GATE VALVE

Pressure-Temperature Rating: ASME B 16.34

150UMA

150UMAM



### Materials

Parts	150UMA	150UMAM
Body	CF8	CF8M
Bonnet	CF8	CF8M
Stem	304	316
Disc	CF8	CF8M
Gland	304	316
Gland flange	CF8	
Gland packing	Refer to Page 10	
Gasket	Refer to Page 10	
Yoke sleeve	Ductile Ni-resist	
Yoke*	Ductile iron	
Handwheel	Ductile iron	
Gland bolt/nut	B8/8	
Bonnet bolt/nut	B8/8	
Grease nipple**	Steel	
Name plate	Aluminum	

\*Yoke is separated from bonnet for 10 and larger.

\*\*For size 10 and larger.

Note: \* Body seats and/or disc seats can be optionally hard-faced.

\* Flexible wedge for all sizes.

### Items

Face-to-Face Dimensions	ASME B16.10
End Flange Dimensions	ASME B16.5
Wall Thickness	ASME B16.34 Class 150

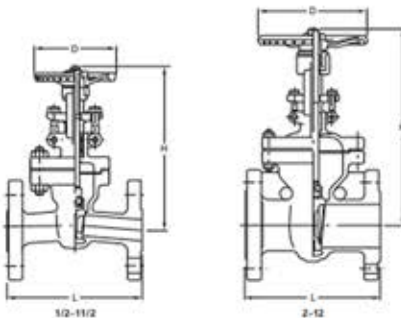
Nominal Size	1/2	3/4	1	1 1/2	2	2 1/2	3	4	5	6	8	10	12	
	15	20	25	40	50	65	80	100	125	150	200	250	300	
L	in.	4.25	4.26	5.00	6.50	7.00	7.50	8.00	9.00	10.00	10.50	11.50	13.00	14.00
	mm	108	117	127	165	178	190	203	229	254	267	292	330	356
H (open)	in.	7.8	8.2	8.8	11.1	13.2	14.8	17.5	20.6	23.9	28.0	36.2	44.0	52.1
	mm	198	208	224	282	336	375	445	523	606	710	920	1117	1324
D	in.	3.5	3.5	3.9	5.5	6.3	7.1	7.9	8.9	9.8	9.8	11.8	13.8	15.8
	mm	90	90	100	140	160	180	200	225	250	250	300	350	400

# Class 300 GATE VALVE

Pressure-Temperature Rating: ASME B 16.34

300UMA

300UMAM



### Materials

Parts	300UMA	300UMAM
Body	CF8	CF8M
Bonnet	CF8	CF8M
Stem	304	316
Disc	CF8	CF8M
Gland	304	316
Gland flange	CF8	
Gland packing	Refer to Page 10	
Gasket	Refer to Page 10	
Yoke*	Ductile iron	
Yoke sleeve	Ductile Ni-resist	
Handwheel	Ductile iron	
Gland bolt/nut	B8/8	
Gland bolt pin	403	
Bonnet bolt/nut	B8/8	
Grease nipple**	Carbon steel	
Name plate	Aluminum	

\*Yoke is separated from bonnet for size 10 and larger.

\*\*For size 10 and larger.

Note: \* Body seats and/or disc seats can be optionally hard-faced.

\* Flexible wedge for all sizes.

### Items

Face-to-Face Dimensions	ASME B16.10
End Flange Dimensions	ASME B16.5
Wall Thickness	ASME B16.34 Class 300

Nominal Size	1/2	3/4	1	1 1/2	2	2 1/2	3	4	5	6	8	10	12	
	15	20	25	40	50	65	80	100	125	150	200	250	300	
L	in.	5.50	6.00	6.50	7.50	8.50	9.50	11.12	12.00	15.00	15.88	16.50	18.00	19.75
	mm	140	152	165	190	216	241	283	305	381	403	419	457	502
H (open)	in.	8.1	8.5	9.3	11.5	13.9	15.9	18.5	22.1	24.7	29.7	38.1	46.1	54.3
	mm	207	217	236	292	353	404	470	560	626	753	968	1170	1380
D	in.	3.9	3.9	3.9	5.5	7.1	7.1	8.9	9.8	11.8	13.8	15.8	17.7	19.7
	mm	100	100	100	140	180	180	225	250	300	350	400	450	500