



Product Guide

**Professional.
Reliable.
Secure.**

dropsafe.com

About Us



Dropsafe: Your global Drops Prevention Partner

Dropsafe creates solutions to prevent objects falling from height, and we are your global partner in drops prevention. We offer the tools, advice and resources you need to tackle drops risks comprehensively, sustainably, and in a cost-effective manner.

Ensuring personnel safety is paramount. By creating a safer workplace you can not only protect your people but comply with industry best practice. As leaders in drops prevention, Dropsafe strives to help companies achieve an unparalleled level of safety. We can support you by providing the highest-quality drops prevention solutions, enabling you to set a new benchmark of industry safety.

All Dropsafe systems have been designed to be assets rather than consumables. With a focus on low-cost, long term ownership, we manufacture high-quality products to help eliminate the dangers personnel are exposed to from falling objects.

We aim to educate companies around the risks dropped objects pose through handbooks, articles and industry updates, to promote a safety culture that goes beyond our technologies. We want facility personnel to be aware of the threat dropped objects pose, ensuring teams know the dangers, and also positive and effective mitigation strategies.

Our Products

Designed and manufactured in-house, Dropsafe products have become the industry standard for Drops Prevention Solutions globally, serving multiple sectors including Oil & Gas, Power Generation, Mining, Marine and Renewables. We focus on innovation, quality, industry collaboration and third party testing and validation in order to deliver product performance that exceeds customer expectations. We maintain a leading industry-wide quality record, supported by rigorous testing procedures and state-of-the-art manufacturing control and monitoring technology.



Barrier



Nets



Slings



Pouches



Tethering



Matting



Barricade

Contents

Our Products	3
Dropsafe Barrier	5
Ordering and Installation Process	6
Enquiry Form	7
Dropsafe Nets	8
Ordering and Installation Process	9
Request For Quotation Form	10
Nets For Floodlights	11
Fluorescent/LED Strip Lights	16
Speakers/Horns	18
Navigation/Strobe Lights	19
CCTV Cameras	20
Self-Retracting Lifelines	21
Pipe Clamps.	22
Anode, Junction Boxes, Heat, Smoke & CO ₂ Detectors.	23
Crane Boom Stoppers, Crown Block Stoppers & Bend Restrictors	24
Dropsafe Slings	25
Dropsafe Pouches	28
Dropsafe Tethering	29
Dropsafe Matting	32
Dropsafe Barricade	33
General RFQ Form	35

DISCLAIMER

ALL STATEMENTS AND INFORMATION MADE IN THIS BROCHURE ARE FOR INFORMATION PURPOSES ONLY. DROPSAFE MAKES NO REPRESENTATIONS OR WARRANTIES OF ANY KIND (EXPRESS OR IMPLIED) ABOUT THE COMPLETENESS OF THE INFORMATION OR THE SUITABILITY OF THE PRODUCT FOR SPECIFIC NEEDS. DROPSAFE ASSUMES NO LIABILITY FOR ANY LOSSES OR DAMAGE RESULTING FROM ANY RELIANCE OR DEPENDENCE ON THE PUBLISHED INFORMATION. DISSEMINATION OF ANY INFORMATION CONTAINED IN THIS BROCHURE IS PROHIBITED. DROPSAFE RESERVES THE RIGHT TO ADD AND REMOVE OR AMEND PRODUCTS TO ITS LINE AT ANY TIME, AND THE READER SHOULD CHECK FOR UPDATES ON OUR WEBSITE.

IMPORTANT

The information contained in this Product Guide is for reference only. For further Product information visit dropsafe.com or email info@dropsafe.com. For information regarding the correct methods for installation, survey and replacement of our products, consult the detailed instructions provided with all Dropsafe Products.

Dropsafe Barrier

The Dropsafe Barrier is a dropped object prevention system, that reduces the risk of harm to people and critical equipment caused by items falling from height.

The system is affixed to the inside of guardrailing on walkways, elevated platforms or stairways and is suitable for both permanent and temporary installations. The Dropsafe Barrier prevents loose dynamic items from becoming dropped objects.

The system can also be used as a physical barrier between personnel and operating machinery to significantly improve workplace safety.



Installation Locations



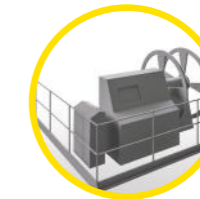
Walkways & Stairways



Scaffolding



Storage Areas



Machine Guards



Conveyor Walkways



Storage Tanks

Guardrailing configurations can vary throughout a facility. Guardrailing can have different post & rail sizes, heights & spacings and if fitted, toe board variations. These variations must be properly captured using our enquiry or order forms, so that you can receive an accurate quotation and the correct components for installation.

Quotations

Barrier quotations are provided per meter for either a standard installation or a non-standard installation type. We can determine your installation type and provide a quote after you complete and send us the Barrier 'Enquiry Form.'

⚠ WARNING

Install the Dropsafe Barrier only if:

1. Guardrailing is industry compliant and in good serviceable condition;
2. Areas are not exposed to hazardous chemicals; and
3. The installation instructions are strictly followed.

Features



High impact resistance
(62.5 J)



Designed for high winds
250 kmph - 155 mph (Cat 5 hurricane)



Small mesh aperture
(19.8 mm / 0.78 Inch)



Suitable for harsh environments
(5 year weather testing)



5-year warranty



ABS approved for
DOPP+ standard

Dropsafe Barrier - Ordering and Installation Process

You can order and install the Dropsafe Barrier yourself, or engage a Dropsafe approved third party contractor.

Order

1	Complete the ' Enquiry Form ' (photocopy from Product Guide or download from dropsafe.com) and return to barrier@dropsafe.com . We will provide a quote based on the completed form.
----------	---



2	If additional information regarding your installation is required, we will send an ' Information Collection Form (ICF) ', for you to complete and return. It is possible that your quote may need to be adjusted according to the new information.*
----------	--



3	You confirm the order for the required Dropsafe Barrier installation areas.
----------	---

Product Delivery

4	Your order is packed and labelled for each of your chosen installation areas
----------	--

Installation

5	Installation instructions are provided with the order. If you opt for self-installation, we provide online training specific to your facility.**
----------	--

* Dropsafe can put you in contact with a third party contractor to complete the ICF on your behalf if required.

** If you do not opt for self-installation, please contact us and we will introduce a certified third party contractor in your area.

Instructions for completing the Enquiry Form

1. Input your contact details, company and facility information
2. Input the area number, name and location details (e.g. under stairways)
3. Input post, rail and toe board dimensions (e.g. post width/diameter; rail diameter and profile; toe board height, depth and position)
4. Input the distance between each adjacent post (or if not practical, total length of guardrailing and the total number of posts including end posts)
5. Take a clear perspective photo of the guardrailing (input the photo file or file name and attach the photo to the email)
6. Leave any additional comments or questions regarding the area on the Enquiry Form

Contact barrier@dropsafe.com for any enquiries

Example

Area #	Area Name	Guardrail Dimensions		Post Spacing	Photos
		<input checked="" type="checkbox"/> mm	<input type="checkbox"/> inches		
1	Staging Area	Post	Ø38	A 400 B 1530	
		Rails	Ø19 9mm offset	C 400 D	
		Toe Board & Orientation	120 x 8 Mid mounted	E F	



Dropsafe Barrier - Enquiry Form

We must receive an accurate and complete 'Enquiry Form' to provide a quotation.

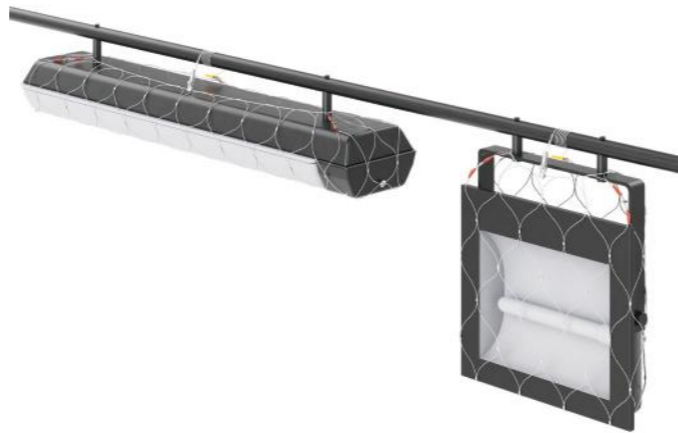
Date: / / Company: Facility: State / Province / Area: Country:
 Contact Person: Position: Email: Phone:

Area #	Area Name	Guardrail Dimensions		Post Spacing	Photos	Comments
		<input type="checkbox"/> mm	<input type="checkbox"/> inches			
		Post		A B C D E F G H I A B C D E F G H I A B C D E F G H I		
		Rails				
		Toe Board & Orientation				
		Post				
		Rails				
		Toe Board & Orientation				
		Post				
		Rails				
		Toe Board & Orientation				

Dropsafe Nets

The Dropsafe Nets are dropped object prevention devices that reduce the risk of harm to people and critical equipment caused by items falling from height.

Our Nets have always been a widely adopted and trusted safety solution, securely enclosing & tethering overhead fixtures to prevent dropped & falling objects. The updated Nets are an enhancement of the initial range, with additional features. With the triple action auto locking Trisafe™ carabiner significantly reducing human error, and RFID enabled Choke Plate, Dropsafe products provide a new & unparalleled level of workplace safety.



Fixture Types



Quotations

Fixtures installed at height vary in shape, size, weight and mounting configuration. To select the correct part number from this product guide, or to make a new product enquiry, you must provide accurate information about your fixture(s). In order for us to provide an accurate quotation, you must follow the Ordering Process .

⚠ WARNING
The attachment structure must be strong enough to support the fixture if it drops. Install the Dropsafe Net only if:

1. The distance between the fixture and the attachment point is:

- vertically less than 30 cm (12")
- horizontally less than 50 cm (20")

2. The Net fit snugly around the fixture, and is not loose

≤30cm (12")

>30cm (12")

≤50cm (20")

>50cm (20")

✓

✗

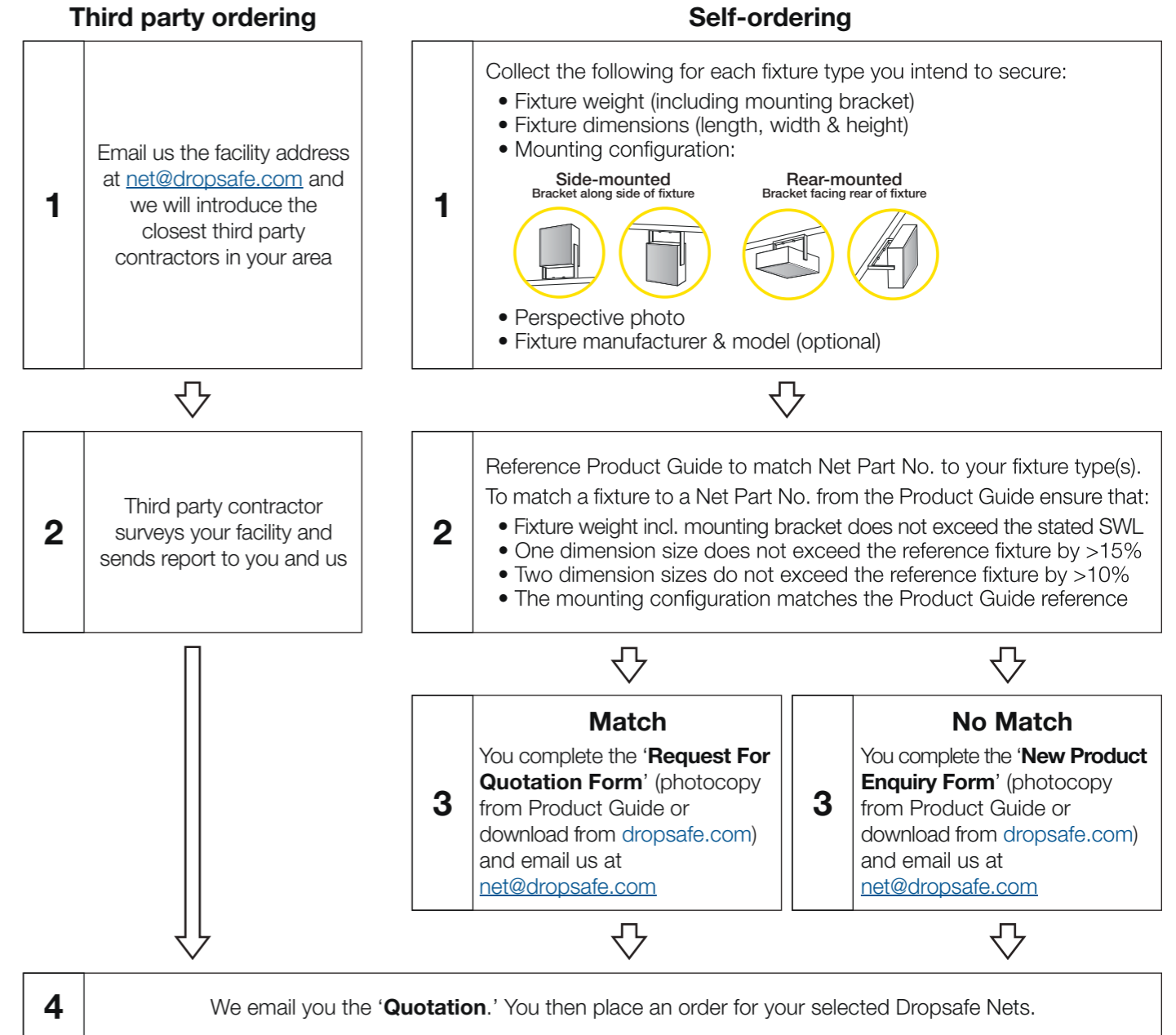
Features

- Triple action, auto locking Trisafe™ Carabiner - 316L
- In-built RFID chip for improved traceability
- Toggles ensure a snug fit for all fixture shapes
- Designed and tested to over 5 times Safe Working Load (SWL)
- Withstands extreme temperatures between -40°C to 500°C
- SUS/AISI 316 stainless steel wire
- Available for a wide range of fixtures (custom designs also available)
- 3-year warranty
- ABS approved for DOPP+ standard

Dropsafe Nets - Ordering and Installation Process

You can order and install the Dropsafe Nets yourself or engage a Dropsafe-approved third party contractor.

Ordering



Product Delivery


5 Your order is packed and labeled for each installation area.

Installation



Nets For Floodlights

Part No.: 8500100

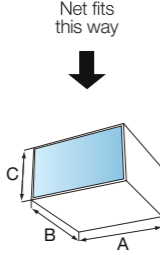


Fixture Weight
SWL: 30 kg (66 lbs)

Fixture Dimensions
A = 365 mm (14.3")
B = 305 mm (12")
C = 265 mm (10.5")

Mounting configuration
Rear-mounted

Net fits this way



Part No.: 8500105



Fixture Weight
SWL: 25 kg (55 lbs)

Fixture Dimensions
A = 480 mm (18.9")
B = 490 mm (19.3")
C = 170 mm (6.7")

Mounting configuration
Side-mounted

Net fits this way



Nets For Floodlights

Part No.: 8500110



Fixture Weight
SWL: 25 kg (55 lbs)

Fixture Dimensions
A = 460 mm (18")
B = 430 mm (17")
C = 265 mm (10.5")

Mounting configuration
Side-mounted

Net fits this way



Part No.: 8500110

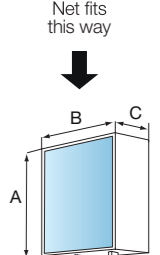


Fixture Weight
SWL: 25 kg (55 lbs)


Fixture Dimensions
A = 450 mm (17.7")
B = 400 mm (15.7")
C = 265 mm (10.5")

Mounting configuration
Side-mounted

Net fits this way



Part No.: 8500105

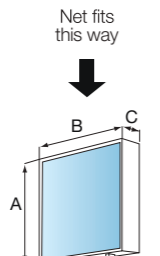


Fixture Weight
SWL: 25 kg (55 lbs)

Fixture Dimensions
A = 550 mm (21.7")
B = 550 mm (21.7")
C = 130 mm (5.1")

Mounting configuration
Side-mounted

Net fits this way



Part No.: 8500106



Fixture Weight
SWL: 25 kg (55 lbs)


Fixture Dimensions
A = 535 mm (21")
B = 460 mm (18")
C = 165 mm (6.5")

Mounting configuration
Side-mounted

Net fits this way



Part No.: 8500120

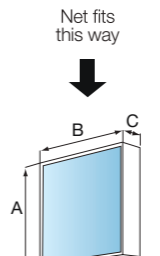


Fixture Weight
SWL: 20 kg (44 lbs)


Fixture Dimensions
A = 300 mm (11.8")
B = 300 mm (11.8")
C = 120 mm (4.7")

Mounting configuration
Side-mounted

Net fits this way



Part No.: 8500120

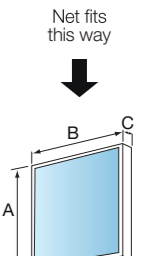


Fixture Weight
SWL: 20 kg (44 lbs)


Fixture Dimensions
A = 310 mm (12.2")
B = 360 mm (14.2")
C = 80 mm (3.2")

Mounting configuration
Side-mounted

Net fits this way



Part No.: 8500106

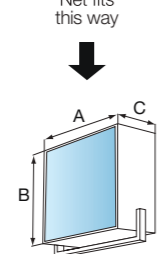


Fixture Weight
SWL: 25 kg (55 lbs)

Fixture Dimensions
A = 570 mm (22.4")
B = 490 mm (19.3")
C = 235 mm (9.3")

Mounting configuration
Side-mounted

Net fits this way



Part No.: 8500106



Fixture Weight
SWL: 25 kg (55 lbs)


Fixture Dimensions
A = 530 mm (21")
B = 385 mm (15")
C = 280 mm (11")

Mounting configuration
Side-mounted

Net fits this way



Part No.: 8500121

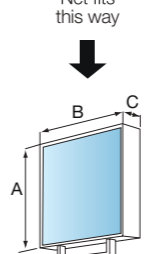


Fixture Weight
SWL: 20 kg (44 lbs)


Fixture Dimensions
A = 290 mm (11.4")
B = 450 mm (17.7")
C = 135 mm (5.3")

Mounting configuration
Side-mounted

Net fits this way



Part No.: 8500121

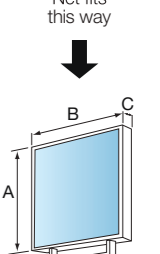


Fixture Weight
SWL: 20 kg (44 lbs)


Fixture Dimensions
A = 375 mm (14.8")
B = 450 mm (17.7")
C = 80 mm (3.2")

Mounting configuration
Side-mounted

Net fits this way



Part No.: 8500106

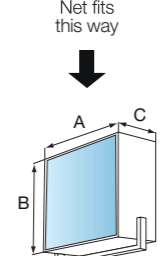


Fixture Weight
SWL: 25 kg (55 lbs)

Fixture Dimensions
A = 610 mm (24")
B = 500 mm (19.7")
C = 230 mm (9")

Mounting configuration
Side-mounted

Net fits this way



Part No.: 8500106



Fixture Weight
SWL: 25 kg (55 lbs)

Fixture Dimensions
A = 455 mm (18")
B = 405 mm (16")
C = 280 mm (11")

Mounting configuration
Side-mounted

Net fits this way



Part No.: 8500122



Fixture Weight
SWL: 20 kg (44 lbs)

Fixture Dimensions
A = 220 mm (8.6")
B = 180 mm (7.0")
C = 115 mm (4.5")

Mounting configuration
Side-mounted

Net fits this way



Part No.: 8500150



Fixture Weight
SWL: 25 kg (55 lbs)


Fixture Dimensions
A = 615 mm (24")
B = 490 mm (19.5")
C = 340 mm (13.5")

Mounting configuration
Rear-mounted

Net fits this way



Part No.: 8500106

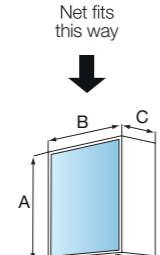


Fixture Weight
SWL: 25 kg (55 lbs)


Fixture Dimensions
A = 530 mm (21")
B = 430 mm (17")
C = 175 mm (7")

Mounting configuration
Side-mounted

Net fits this way



Part No.: 8500107

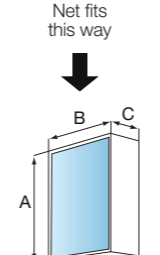


Fixture Weight
SWL: 25 kg (55 lbs)

Fixture Dimensions
A = 600 mm (23.6")
B = 420 mm (16.5")
C = 160 mm (6.3")

Mounting configuration
Side-mounted

Net fits this way



Part No.: 8500150



Fixture Weight
SWL: 25 kg (55 lbs)

Fixture Dimensions
A = 600 mm (23.6")
B = 400 mm (15.7")
C = 400 mm (15.7")

Mounting configuration
Rear-mounted

Net fits this way



Part No.: 8500150



Fixture Weight
SWL: 25 kg (55 lbs)

Fixture Dimensions
A = 600 mm (23.6")
B = 440 mm (17.3")
C = 235 mm (9.3")


Mounting configuration
Rear-mounted

Net fits this way



Nets For Floodlights

Part No.: 8500152

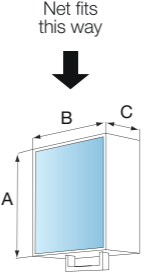


Fixture Weight
SWL: 35 kg (77 lbs)


Fixture Dimensions
A = 600 mm (23.6")
B = 600 mm (23.6")
C = 340 mm (13.3")

Mounting configuration
Side-mounted

Net fits this way



Part No.: 8500155

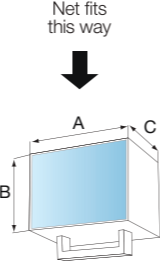


Fixture Weight
SWL: 30 kg (66 lbs)

Fixture Dimensions
A = 570 mm (22.4")
B = 420 mm (16.5")
C = 450 mm (17.7")

Mounting configuration
Side-mounted

Net fits this way



Part No.: 8500180



Fixture Weight
SWL: 48 kg (106 lbs)


Fixture Dimensions
A = 620 mm (24.5")
B = 490 mm (19.5")
C = 510 mm (20")

Mounting configuration
Side-mounted

Net fits this way



Part No.: 8500185

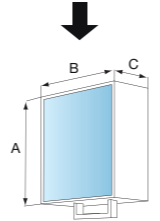


Fixture Weight
SWL: 48 kg (106 lbs)

Fixture Dimensions
A = 690 mm (27")
B = 690 mm (27")
C = 310 mm (12")

Mounting configuration
Side-mounted

Net fits this way



Part No.: 8500185



Fixture Weight
SWL: 48 kg (106 lbs)


Fixture Dimensions
A = 610 mm (24")
B = 530 mm (21")

Mounting configuration
Side-mounted

Net fits this way



Part No.: 8500190

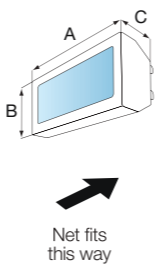


Fixture Weight
SWL: 15 kg (33 lbs)

Fixture Dimensions
A = 400 mm (15.7")
B = 200 mm (8")
C = 150 mm (6")

Mounting configuration
Rear-mounted

Net fits this way



Part No.: 8500312



Fixture Weight
SWL: 15 kg (33 lbs)

Fixture Dimensions
A = 275 mm (10.8")
B = 160 mm (6.3")
C = 120 mm (4.7")

Mounting configuration
Rear-mounted

Net fits this way



Part No.: 8500320



Fixture Weight
SWL: 20 kg (44 lbs)

Fixture Dimensions
A = 560 mm (22")
B = 215 mm (8.5")

Mounting configuration
Rear-mounted

Net fits this way



Part No.: 8500325



Fixture Weight
SWL: 25 kg (55 lbs)

Fixture Dimensions
A = 635 mm (25")
B = 280 mm (11")

Mounting configuration
Rear-mounted

Net fits this way



Part No.: 8500325



Fixture Weight
SWL: 25 kg (55 lbs)

Fixture Dimensions
A = 480 mm (18.9")
B = 365 mm (14.4")

Mounting configuration
Rear-mounted

Net fits this way



Nets For Floodlights

Part No.: 8500327



Fixture Weight
SWL: 25 kg (55 lbs)

Fixture Dimensions
A = 580 mm (22.8")
B = 510 mm (20")

Mounting configuration
Rear-mounted

Net fits this way



Part No.: 8500327



Fixture Weight
SWL: 25 kg (55 lbs)

Fixture Dimensions
A = 610 mm (24")
B = 300 mm (11.8")

Mounting configuration
Rear-mounted

Net fits this way



Part No.: 8500327



Fixture Weight
SWL: 25 kg (55 lbs)


Fixture Dimensions
A = 460 mm (18")
B = 430 mm (17")

Mounting configuration
Rear-mounted

Net fits this way



Part No.: 8500327

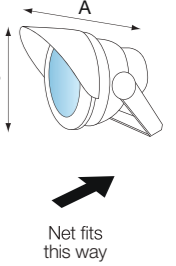


Fixture Weight
SWL: 25 kg (55 lbs)

Fixture Dimensions
A = 580 mm (22.8")
B = 475 mm (18.7")

Mounting configuration
Rear-mounted

Net fits this way



Part No.: 8500328



Fixture Weight
SWL: 30 kg (66 lbs)

Fixture Dimensions
A = 250 mm (9.8")
B = 420 mm (16.5")

Mounting configuration
Rear-mounted

Net fits this way



Part No.: 8500330



Fixture Weight
SWL: 27 kg (59.5 lbs)

Fixture Dimensions
A = 700 mm (27.6")
B = 420 mm (16.5")

Mounting configuration
Rear-mounted

Net fits this way



Part No.: 8500331



Fixture Weight
SWL: 8 kg (17.6 lbs)

Fixture Dimensions
A = 355 mm (14")
B = 275 mm (10.8")

Mounting configuration
Rear-mounted

Net fits this way



Part No.: 8500334



Fixture Weight
SWL: 25 kg (55 lbs)


Fixture Dimensions
A = 480 mm (18.9")
B = 490 mm (19.3")
C = 170 mm (6.7")

Mounting configuration
Rear-mounted

Net fits this way



Part No.: 8500334



Fixture Weight
SWL: 25 kg (55 lbs)

Fixture Dimensions
A = 150 mm (6")
B = 575 mm (22.6")

Mounting configuration
Rear-mounted

Net fits this way



Part No.: 8500335



Fixture Weight
SWL: 20 kg (44 lbs)


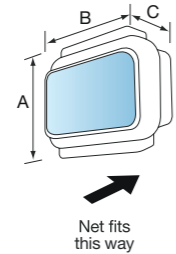

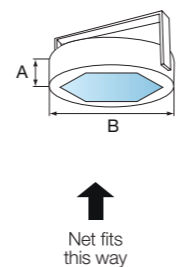

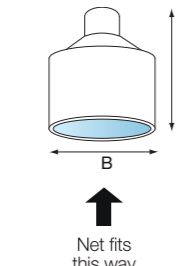

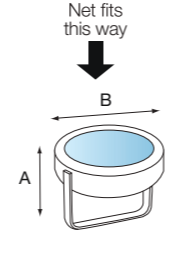
Fixture Dimensions
A = 83 mm (3.3")
B = 406 mm (15.9")

Mounting configuration
Side-mounted
Rear-mounted


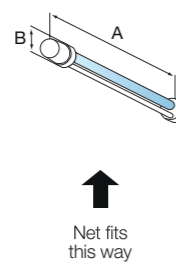

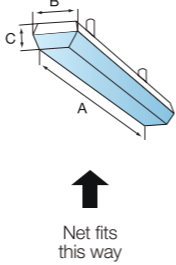

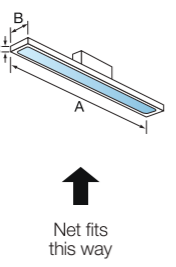

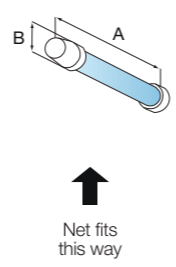

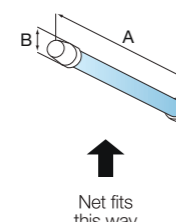

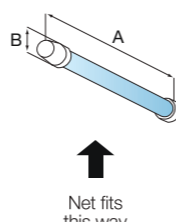
Net fits this way




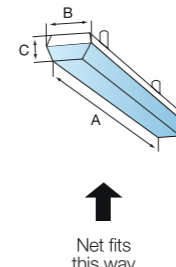

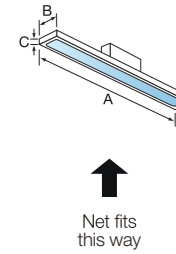

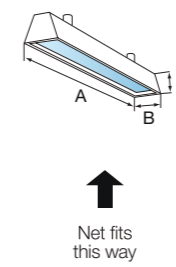

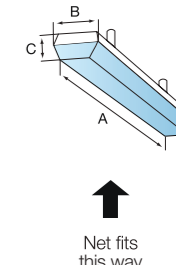

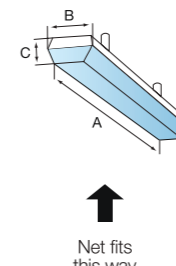

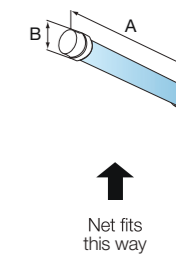

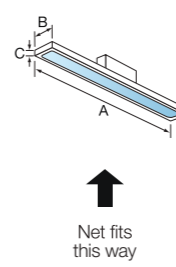

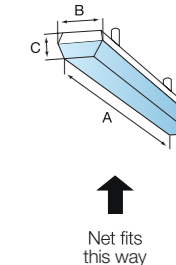

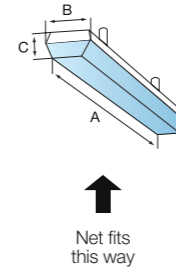

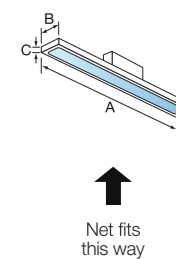
Nets For Floodlights

<p>Part No.: 8500336</p>  <p>Fixture Weight SWL: 15 kg (33 lbs)</p> <p>Fixture Dimensions A = 270 mm (10.6") B = 270 mm (10.6") C = 180 mm (7")</p> <p>Mounting configuration Rear-mounted</p>  <p>Net fits this way</p>	<p>Part No.: 8500337</p>  <p>Fixture Weight SWL: 20 kg (44 lbs)</p> <p>Fixture Dimensions A = 150 mm (6") B = 500 mm (19.7")</p> <p>Mounting configuration Rear-mounted</p>  <p>Net fits this way</p>
<p>Part No.: 8500338</p>  <p>Fixture Weight SWL: 26 kg (57 lbs)</p> <p>Fixture Dimensions A = 350 mm (13.8") B = 310 mm (12.2")</p> <p>Mounting configuration Rear-mounted</p>  <p>Net fits this way</p>	<p>Part No.: 8500725</p>  <p>Fixture Weight SWL: 10 kg (22 lbs)</p> <p>Fixture Dimensions A = 230 mm (9") B = 180 mm (7")</p> <p>Mounting configuration Rear-mounted</p>  <p>Net fits this way</p>

Nets For Fluorescent/LED Strip Lights

<p>Part No.: 8500610</p>  <p>Fixture Weight SWL: 20 kg (44 lbs)</p> <p>Fixture Dimensions A = 1840 mm (72.5") B = 110 mm (4.3")</p> <p>Mounting configuration Rear-mounted</p>  <p>Net fits this way</p>	<p>Part No.: 8500620</p>  <p>Fixture Weight SWL: 20 kg (44 lbs)</p> <p>Fixture Dimensions A = 740 mm (29") B = 210 mm (8.3") C = 150 mm (6")</p> <p>Mounting configuration Rear-mounted</p>  <p>Net fits this way</p>
<p>Part No.: 8500625</p>  <p>Fixture Weight SWL: 20 kg (44 lbs)</p> <p>Fixture Dimensions A = 750 mm (29.4") B = 170 mm (6.8") C = 95 mm (4")</p> <p>Mounting configuration Rear-mounted</p>  <p>Net fits this way</p>	<p>Part No.: 8500626</p>  <p>Fixture Weight SWL: 8 kg (17.6 lbs)</p> <p>Fixture Dimensions A = 445 mm (17.5") B = 54 mm (2.1")</p> <p>Mounting configuration Rear-mounted</p>  <p>Net fits this way</p>
<p>Part No.: 8500627</p>  <p>Fixture Weight SWL: 8 kg (17.6 lbs)</p> <p>Fixture Dimensions A = 1059 mm (41.7") B = 54 mm (2.1")</p> <p>Mounting configuration Rear-mounted</p>  <p>Net fits this way</p>	<p>Part No.: 8500628</p>  <p>Fixture Weight SWL: 8 kg (17.6 lbs)</p> <p>Fixture Dimensions A = 1380 mm (54.3") B = 54 mm (2.1")</p> <p>Mounting configuration Rear-mounted</p>  <p>Net fits this way</p>

Nets For Fluorescent/LED Strip Lights

<p>Part No.: 8500630</p>  <p>Fixture Weight SWL: 15 kg (33 lbs)</p> <p>Fixture Dimensions A = 900 mm (35.5") B = 190 mm (7.5") C = 130 mm (5.1")</p> <p>Mounting configuration Rear-mounted</p>  <p>Net fits this way</p>	<p>Part No.: 8500635</p>  <p>Fixture Weight SWL: 20 kg (44 lbs)</p> <p>Fixture Dimensions A = 900 mm (35.5") B = 170 mm (6.8") C = 95 mm (4")</p> <p>Mounting configuration Rear-mounted</p>  <p>Net fits this way</p>
<p>Part No.: 8500640</p>  <p>Fixture Weight SWL: 20 kg (44 lbs)</p> <p>Fixture Dimensions A = 1320 mm (52") B = 190 mm (7.5") C = 140 mm (5.5")</p> <p>Mounting configuration Rear-mounted</p>  <p>Net fits this way</p>	<p>Part No.: 8500640</p>  <p>Fixture Weight SWL: 20 kg (44 lbs)</p> <p>Fixture Dimensions A = 1360 - 1500 mm (53.5-59") B = 190 mm (7.5") C = 130 mm (5")</p> <p>Mounting configuration Rear-mounted</p>  <p>Net fits this way</p>
<p>Part No.: 8500640</p>  <p>Fixture Weight SWL: 20 kg (44 lbs)</p> <p>Fixture Dimensions A = 1350 mm (53") B = 210 mm (8.5") C = 150 mm (6")</p> <p>Mounting configuration Rear-mounted</p>  <p>Net fits this way</p>	<p>Part No.: 8500640</p>  <p>Fixture Weight SWL: 20 kg (44 lbs)</p> <p>Fixture Dimensions A = 1385 mm (54.5") B = 165 mm (6.5")</p> <p>Mounting configuration Rear-mounted</p>  <p>Net fits this way</p>
<p>Part No.: 8500645</p>  <p>Fixture Weight SWL: 24 kg (53 lbs)</p> <p>Fixture Dimensions A = 1350 mm (53") B = 170 mm (6.8") C = 95 mm (4")</p> <p>Mounting configuration Rear-mounted</p>  <p>Net fits this way</p>	<p>Part No.: 8500650</p>  <p>Fixture Weight SWL: 32 kg (71 lbs)</p> <p>Fixture Dimensions A = 1350 - 1500 mm (53 - 59") B = 230 mm (9") C = 160 mm (6.5")</p> <p>Mounting configuration Rear-mounted</p>  <p>Net fits this way</p>
<p>Part No.: 8500650</p>  <p>Fixture Weight SWL: 32 kg (71 lbs)</p> <p>Fixture Dimensions A = 1610 mm (63.5") B = 170 mm (6.8") C = 105 mm (4")</p> <p>Mounting configuration Rear-mounted</p>  <p>Net fits this way</p>	<p>Part No.: 8500655</p>  <p>Fixture Weight SWL: 24 kg (53 lbs)</p> <p>Fixture Dimensions A = 1500 mm (59") B = 170 mm (6.8") C = 95 mm (4")</p> <p>Mounting configuration Rear-mounted</p>  <p>Net fits this way</p>

Nets For Fluorescent/LED Strip Lights

Part No.: 8500670

Fixture Weight
SWL: 30 kg (66 lbs)

Fixture Dimensions
A = 1350 mm (53")
B = 160 mm (6.3")
C = 130 mm (5.1")

Mounting configuration
Rear-mounted




Net fits this way

Part No.: 8500670

Fixture Weight
SWL: 30 kg (66 lbs)

Fixture Dimensions
A = 1350 mm (53")
B = 300 mm (12")
C = 180 mm (7")

Mounting configuration
Rear-mounted




Net fits this way

Nets For Speakers/Horns

Part No.: 8500070

Fixture Weight
SWL: 18.5 kg (41 lbs)

Fixture Dimensions
A = 340 mm (13.4")
B = 250 mm (9.8")

Mounting configuration
Side-mounted




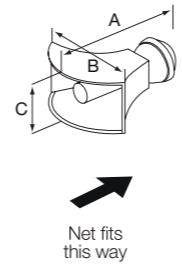

Net fits this way

Part No.: 8500320

Fixture Weight
SWL: 20 kg (44 lbs)

Fixture Dimensions
A = 420 mm (16.5")
B = 340 mm (13.4")
C = 200 mm (8")

Mounting configuration
Rear-mounted

Net fits this way

Part No.: 8500750

Fixture Weight
SWL: 8 kg (17.6 lbs)

Fixture Dimensions
A = 255 mm (10")
B = 205 mm (8")

Mounting configuration
Side-mounted




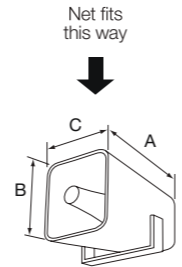

Net fits this way

Part No.: 8500815

Fixture Weight
SWL: 6 kg (13 lbs)

Fixture Dimensions
A = 215 mm (8.5")
B = 140 mm (5.5")
C = 140 mm (5.5")

Mounting configuration
Side-mounted


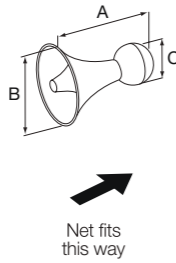
Net fits this way

Part No.: 8500820

Fixture Weight
SWL: 6 kg (13 lbs)

Fixture Dimensions
A = 380 mm (15")
B = 260 mm (10.5")
C = 200 mm (8")

Mounting configuration
Rear-mounted


Net fits this way

Part No.: 8500860

Fixture Weight
SWL: 20 kg (44 lbs)

Fixture Dimensions
A = 590 mm (21.6")
B = 380 mm (7.4")
C = 250 mm (8.8")

Mounting configuration
Rear-mounted




Net fits this way


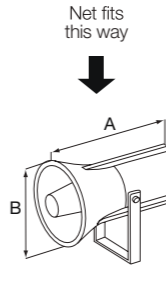
Nets For Speakers/Horns

Part No.: 8500930

Fixture Weight
SWL: 10 kg (22 lbs)

Fixture Dimensions
A = 245 mm (9.6")
B = 165 mm (6.5")

Mounting configuration
Side-mounted

Net fits this way

Part No.: 8500931

Fixture Weight
SWL: 20 kg (44 lbs)

Fixture Dimensions
A = 550 mm (21.7")
B = 190 mm (7.4")
C = 225 mm (8.8")

Mounting configuration
Rear-mounted




Net fits this way

Nets For Navigation/Strobe Lights

Part No.: 8500320

Fixture Weight
SWL: 20 kg (44 lbs)

Fixture Dimensions
A = 510 mm (20")
B = 215 mm (8.5")

Mounting configuration
Rear-mounted




Net fits this way

Part No.: 8500720

Fixture Weight
SWL: 4 kg (8.8 lbs)

Fixture Dimensions
A = 220 mm (8.7")
B = 140 mm (5.5")

Mounting configuration
Rear-mounted




Net fits this way

Part No.: 8500730

Fixture Weight
SWL: 5 kg (11 lbs)

Fixture Dimensions
A = 240 mm (9.5")
B = 210 mm (8.3")

Mounting configuration
Rear-mounted




Net fits this way

Part No.: 8500750

Fixture Weight
SWL: 8 kg (17.6 lbs)

Fixture Dimensions
A = 400 mm (15.7")
B = 200 mm (8")

Mounting configuration
Rear-mounted




Net fits this way

Part No.: 8500760

Fixture Weight
SWL: 30 kg (66 lbs)

Fixture Dimensions
A = 495 mm (19.5")
B = 495 mm (19.5")
C = 420 mm (16.5")
D = 150 mm (6")

Mounting configuration
Rear-mounted





Net fits this way

Part No.: 8500780

Fixture Weight
SWL: 65 kg (143 lbs)

Fixture Dimensions
A = 980 mm (38.6")
B = 560 mm (22")
C = 560 mm (22")
D = 150 mm (6")

Mounting configuration
Rear-mounted




Net fits this way

Part No.: 8500793

Fixture Weight
SWL: 15 kg (33 lbs)

Fixture Dimensions
A = 485 mm (19")
B = 360 mm (14.2")

Mounting configuration
Rear-mounted




Net fits this way

Nets For CCTV Cameras

Part No.: 8500930



Fixture Weight
SWL: 10 kg (22 lbs)

Fixture Dimensions
A = 220 mm (8.7")
B = 220 mm (8.7")
C = 170 mm (6.7")


Mounting configuration
Side-mounted

Net fits this way



Caution: Net secures motor box only, not camera body

Part No.: 8500941

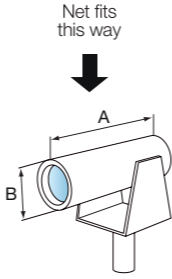


Fixture Weight
SWL: 5 kg (11 lbs)

Fixture Dimensions
A = 300 mm (11.8")
B = 100 mm (4")

Mounting configuration
Side-mounted

Net fits this way



Part No.: 8500942



Fixture Weight
SWL: 5 kg (11 lbs)

Fixture Dimensions
A = 210 mm (8.3")
B = 180 mm (7")
C = 130 mm (5.1")

Mounting configuration
Rear-mounted

Net fits this way



Part No.: 8500945



Fixture Weight
SWL: 20 kg (44 lbs)

Fixture Dimensions
A = 500 mm (19.7")
B = 140 mm (5.5")

Mounting configuration
Rear-mounted

Net fits this way



Part No.: 8500946



Fixture Weight
SWL: 19 kg (42 lbs)

Fixture Dimensions
A = 325 mm (12.7")
B = 310 mm (12.2")
C = 220 mm (8.7")

Mounting configuration
Side-mounted

Net fits this way



Part No.: 8500947



Fixture Weight
SWL: 6 kg (13 lbs)

Fixture Dimensions
A = 430 mm (17")
B = 168 mm (6.6")
C = 160 mm (6.3")

Mounting configuration
Side-mounted

Net fits this way



Part No.: 8500948



Fixture Weight
SWL: 10 kg (22 lbs)

Fixture Dimensions
A = 460 mm (18.1")
B = 190 mm (7.5")
C = 130 mm (5.1")

Mounting configuration
Side-mounted

Net fits this way



Part No.: 8500949



Fixture Weight
SWL: 17 kg (37.5 lbs)

Fixture Dimensions
A = 250 mm (9.8")
B = 100 mm (4.0")

Mounting configuration
Rear-mounted

Net fits this way



Part No.: 8500950



Fixture Weight
SWL: 5 kg (11 lbs)

Fixture Dimensions
A = 325 mm (12.8")
B = 240 mm (9.4")
C = 170 mm (6.7")

Mounting configuration
Rear-mounted

Net fits this way



Part No.: 8500951



Fixture Weight
SWL: 8 kg (18 lbs)

Fixture Dimensions
A = 260 mm (10.2")
B = 210 mm (8.3")
C = 140 mm (5.5")

Mounting configuration
Rear-mounted

Net fits this way



Nets For CCTV Cameras

Part No.: 8500952



Fixture Weight
SWL: 18 kg (40 lbs)


Fixture Dimensions
A = 295 mm (11.60")
B = 220 mm (8.66")
C = 165 mm (6.50")

Mounting configuration
Rear-mounted

Net fits this way



Part No.: 8500952

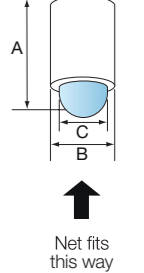


Fixture Weight
SWL: 18 kg (40 lbs)

Fixture Dimensions
A = 338 mm (13.30")
B = 220 mm (8.66")
C = 165 mm (6.50")

Mounting configuration
Rear-mounted

Net fits this way



Part No.: 8500954



Fixture Weight
SWL: 10 kg (22 lbs)

Fixture Dimensions
A = 480 mm (18.9")
B = 176 mm (7")

Mounting configuration
Side-mounted

Net fits this way



Part No.: 8500955



Fixture Weight
SWL: 10 kg (22 lbs)

Fixture Dimensions
A = 280 mm (11")
B = 115 mm (4.5")
C = 90 mm (3.5")


Mounting configuration
Side-mounted

Net fits this way



Nets For Self-Retracting Lifelines

Part No.: 8500201

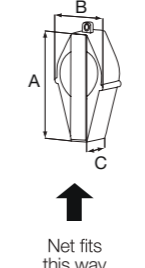


Fixture Weight
SWL: 40 kg (88 lbs)


Fixture Dimensions
A = 295 mm (11.6")
B = 150 mm (6")
C = 90 mm (3.5")

Mounting configuration
Rear-mounted

Net fits this way



Part No.: 8500203

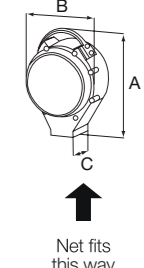


Fixture Weight
SWL: 50 kg (110 lbs)


Fixture Dimensions
A = 350 mm (13.8")
B = 200 mm (8")
C = 165 mm (6.5")

Mounting configuration
Rear-mounted

Net fits this way



Part No.: 8500205

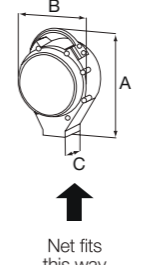


Fixture Weight
SWL: 60 kg (132 lbs)


Fixture Dimensions
A = 475 mm (18.7")
B = 280 mm (11")
C = 185 mm (7.3")

Mounting configuration
Rear-mounted

Net fits this way



Part No.: 8500208

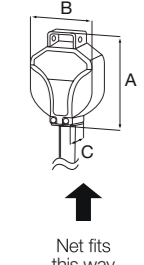


Fixture Weight
SWL: 18 kg (40 lbs)

Fixture Dimensions
A = 170 mm (6.7")
B = 100 mm (3.9")
C = 56 mm (2.2")

Mounting configuration
Rear-mounted

Net fits this way



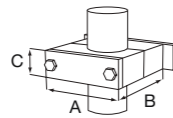
Nets For Pipe Clamps

Part No.: 8500219



Fixture Weight
SWL: 20 kg (44 lbs)

Fixture Dimensions
A = 380 mm (15")
B = 285 mm (11")
C = 120 mm (5")



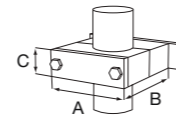
Net fits this way

Part No.: 8500220



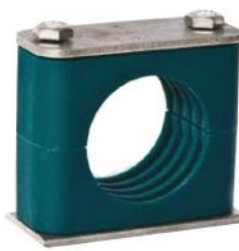
Fixture Weight
SWL: 15 kg (33 lbs)

Fixture Dimensions
A = 280 mm (11")
B = 255 mm (10")
C = 100 mm (4")



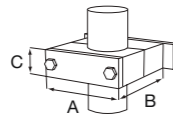
Net fits this way

Part No.: 8500221



Fixture Weight
SWL: 10 kg (22 lbs)

Fixture Dimensions
A = 152 mm (6")
B = 130 mm (5")
C = 60 mm (2")



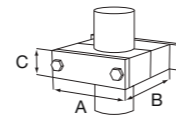
Net fits this way

Part No.: 8500222



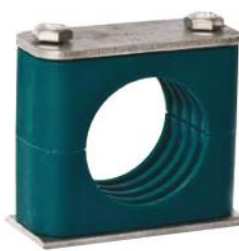
Fixture Weight
SWL: 8 kg (17.6 lbs)

Fixture Dimensions
A = 115 mm (4.5")
B = 100 mm (4.3")
C = 45 mm (1.8")



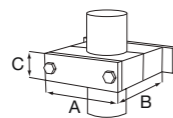
Net fits this way

Part No.: 8500223



Fixture Weight
SWL: 8 kg (17.6 lbs)

Fixture Dimensions
A = 70 mm (2.8")
B = 56 mm (2.2")
C = 30 mm (1.2")



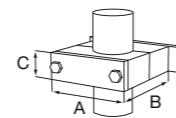
Net fits this way

Part No.: 8500224



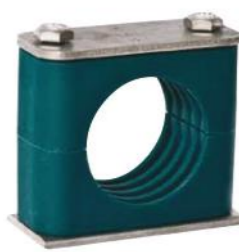
Fixture Weight
SWL: 8 kg (17.6 lbs)

Fixture Dimensions
A = 55 mm (2.2")
B = 40 mm (1.6")
C = 30 mm (1.2")



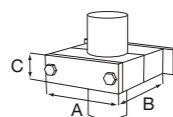
Net fits this way

Part No.: 8500225



Fixture Weight
SWL: 8 kg (17.6 lbs)

Fixture Dimensions
A = 115 mm (4.5")
B = 97 mm (3.8")
C = 45 mm (1.8")



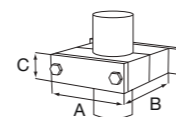
Net fits this way

Part No.: 8500226



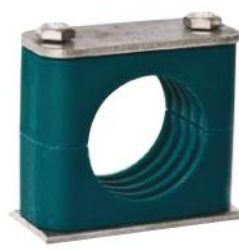
Fixture Weight
SWL: 8 kg (17.6 lbs)

Fixture Dimensions
A = 206 mm (6.6")
B = 178 mm (7")
C = 80 mm (3.1")



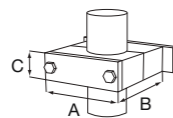
Net fits this way

Part No.: 8500227



Fixture Weight
SWL: 8 kg (17.6 lbs)

Fixture Dimensions
A = 250 mm (9.8")
B = 210 mm (8.2")
C = 90 mm (3.5")



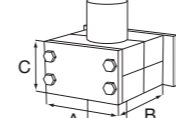
Net fits this way

Part No.: 8500228



Fixture Weight
SWL: 8 kg (17.6 lbs)

Fixture Dimensions
A = 206 mm (6.6")
B = 178 mm (7")
C = 160 mm (6.3")



Net fits this way

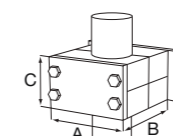
Nets For Pipe Clamps

Part No.: 8500229



Fixture Weight
SWL: 8 kg (17.6 lbs)

Fixture Dimensions
A = 250 mm (9.8")
B = 210 mm (8.2")
C = 180 mm (7.1")



Net fits this way

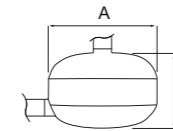
Nets For Junction Boxes, Heat, Smoke & CO₂ Detectors

Part No.: 8500311



Fixture Weight
SWL: 1 kg (2.2 lbs)

Fixture Dimensions
A = 120 mm (4.7")
B = 70 mm (2.8")



Mounting configuration
Rear-mounted

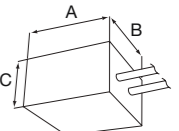
Net fits this way

Part No.: 8500311



Fixture Weight
SWL: 1 kg (2.2 lbs)

Fixture Dimensions
A = 130 mm (5.1")
B = 130 mm (5.1")
C = 80 mm (3.1")



Mounting configuration
Rear-mounted

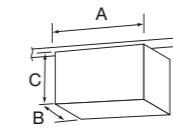
Net fits this way

Part No.: 8500312



Fixture Weight
SWL: 15 kg (33 lbs)

Fixture Dimensions
A = 275 mm (10.8")
B = 160 mm (6.3")
C = 120 mm (4.7")



Mounting configuration
Rear-mounted

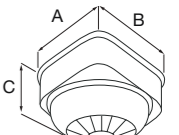
Net fits this way

Part No.: 8500316



Fixture Weight
SWL: 5 kg (11 lbs)

Fixture Dimensions
A = 150 mm (5.9")
B = 150 mm (5.9")
C = 110 mm (4.3")



Mounting configuration
Rear-mounted

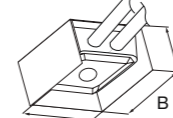
Net fits this way

Part No.: 8500317



Fixture Weight
SWL: 5 kg (11 lbs)

Fixture Dimensions
A = 150 mm (5.9")
B = 150 mm (5.9")
C = 150 mm (5.9")



Mounting configuration
Rear-mounted

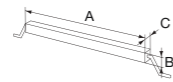
Net fits this way

Nets For Anode

Part No.: 8500390

Fixture Weight
SWL: 15 kg (33 lbs)

Fixture Dimensions
A = 1525 mm (60")
B = 65 mm (2.5")
C = 65 mm (2.5")



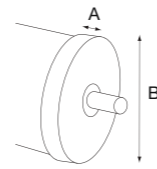
↑
Net fits this way

Nets For Hydraulic Brake Cover

Part No.: 8500337

Fixture Weight
SWL: 20 kg (44 lbs)

Fixture Dimensions
A = 150 mm (6")
B = 500 mm (19.7")



Mounting configuration
Rear-mounted

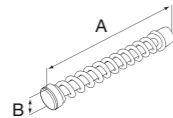
←
Net fits this way

Nets For Crane Boom Stoppers

Part No.: 8500340

Fixture Weight
SWL: 35 kg (77 lbs)

Fixture Dimensions
A = 965 mm (36")
B = 150 mm (6")



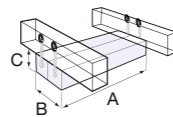
→
Net fits this way

Nets For Crown Block Stoppers

Part No.: 8500451

Fixture Weight
SWL: 50 kg (110 lbs)

Fixture Dimensions
A = 1370 mm (54")
B = 405 mm (16")
C = 190 mm (7.5")

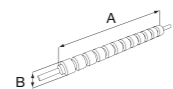


↑
Net fits this way

Nets For Bend Restrictors

Part No.: 8500420

Fixture Dimensions
A = 9145 mm (360")
B = 485 mm (19")

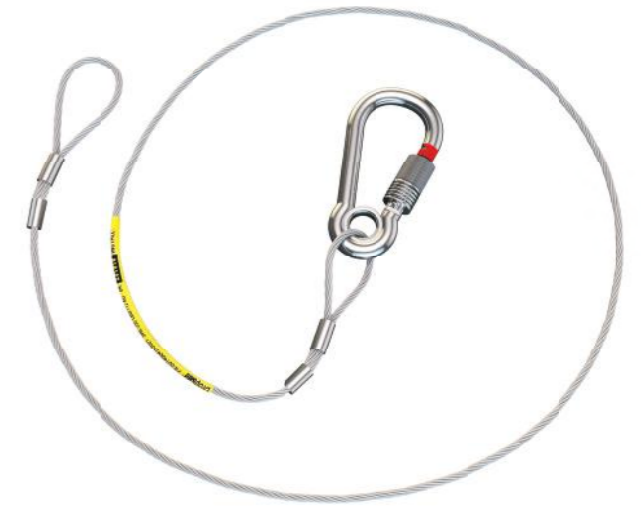


↑
Net fits this way

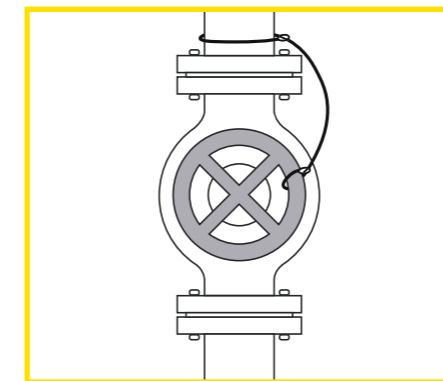
Dropsafe Slings

The Dropsafe Safety Sling range offers a high standard of secondary securing for fixtures located at height. The Slings are made of SUS 316 stainless steel, and are specifically designed to withstand harsh offshore environments.

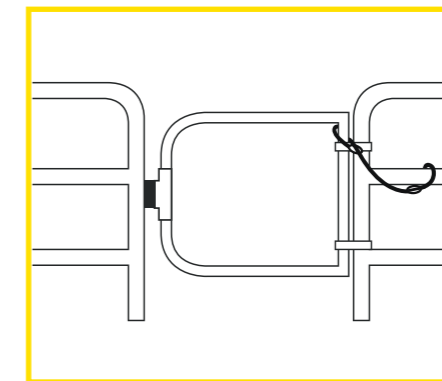
Tested and certified to over 5X the Safe Working Load, the Dropsafe Slings provide an effective way to increase work site safety. They boast a range of specific features, including the Trisafe™ Carabiner, double ferrules at each end, and an ID tag for increased traceability.



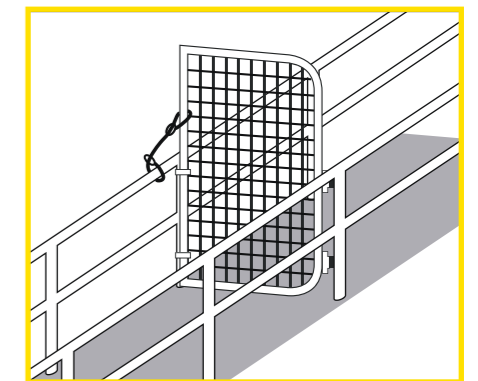
Application Types



Valve Handle



Swing Gate



Access Gate

Features

- 316** SUS/AISI 316 stainless steel wire
- 5X SWL** Designed and tested to over 5x Safe Working Load
- 500°C / -40°C** Suitable for harsh environments
- Flame** Fire and chemical resistant
- Carabiner** Triple action auto locking Trisafe™ Carabiner - 316L
- Carabiner** Traditional Carabiner with spring-loaded gate nut available
- Wrench** Fast & easy installation no tools required
- ID Tag** ID tag for improved traceability
- ABS** ABS approved for DOPP+ standard

Dropsafe Slings

Part No.: S014002141001

Lanyard & Carabiner
SWL: 1 kg (2.2 lbs)

A (Extended) = 1100 mm (43.3")
B = 70 mm (2.7")

Wire rope + Coating
Ø = 3 mm
Carabiner Ø = 7 mm

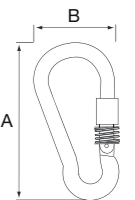


Part No.: S028005152001

Carabiner
SWL: 80 kg (176 lbs)

A = 70 mm (2.7")
B = 35 mm (1.4")

Carabiner Ø = 7 mm



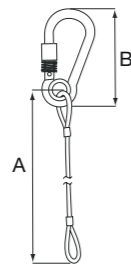
Dropsafe Slings

Part No.: S014002100101

Cable & Carabiner
SWL: 10 kg (22 lbs)

A = 230 mm (9")
B = 70 mm (2.7")

Wire rope Ø = 1.5 mm
Carabiner Ø = 7 mm

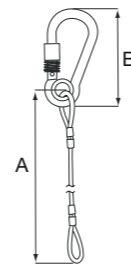


Part No.: S014002153801

Cable & Carabiner
SWL: 80 kg (176 lbs)

A = 600 mm (23.6")
B = 70 mm (2.7")

Wire rope Ø = 3 mm
Carabiner Ø = 7 mm

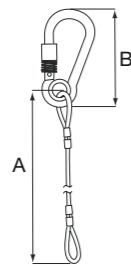


Part No.: S014002153001

Cable & Carabiner
SWL: 80 kg (176 lbs)

A = 1200 mm (47.2")
B = 70 mm (2.7")

Wire rope Ø = 3 mm
Carabiner Ø = 7 mm

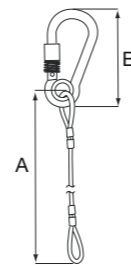


Part No.: S014002153201

Cable & Carabiner
SWL: 80 kg (176 lbs)

A = 1500 mm (59.1")
B = 70 mm (2.7")

Wire rope Ø = 3 mm
Carabiner Ø = 7 mm

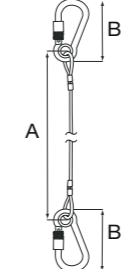


Part No.: S014002153601

Cable & 2 x Carabiner
SWL: 80 kg (176 lbs)

A = 2000 mm (78.7")
B = 70 mm (2.7")

Wire rope Ø = 3 mm
Carabiner Ø = 7 mm

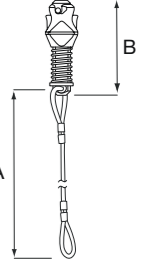


Part No.: S014002153802

Cable & Trisafe™
SWL: 80 kg (176 lbs)

A = 600 mm (23.6")
B = 70 mm (2.7")

Wire rope Ø = 3 mm

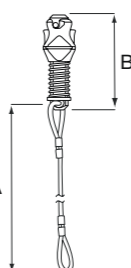


Part No.: S014002153002

Cable & Trisafe™
SWL: 80 kg (176 lbs)

A = 1200 mm (47.2")
B = 70 mm (2.7")

Wire rope Ø = 3 mm

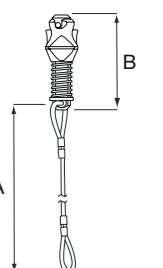


Part No.: S014002153202

Cable & Trisafe™
SWL: 80 kg (176 lbs)

A = 1500 mm (59.1")
B = 70 mm (2.7")

Wire rope Ø = 3 mm

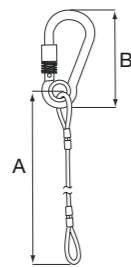


Part No.: S014002153101

Cable & Carabiner
SWL: 80 kg (176 lbs)

A = 2000 mm (78.7")
B = 70 mm (2.7")

Wire rope Ø = 3 mm
Carabiner Ø = 7 mm

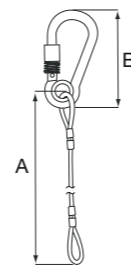


Part No.: S014002153701

Cable & Carabiner
SWL: 80 kg (176 lbs)

A = 3000 mm (118")
B = 70 mm (2.7")

Wire rope Ø = 3 mm
Carabiner Ø = 7 mm

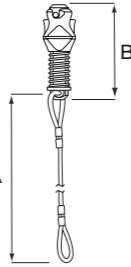
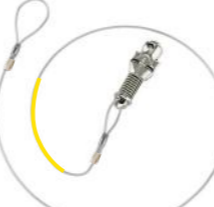


Part No.: S014002153102

Cable & Trisafe™
SWL: 80 kg (176 lbs)

A = 2000 mm (78.7")
B = 70 mm (2.7")

Wire rope Ø = 3 mm

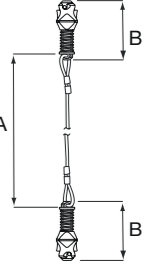


Part No.: S014002153902

Cable & 2 x Trisafe™
SWL: 80 kg (176 lbs)

A = 600 mm (23.6")
B = 70 mm (2.7")

Wire rope Ø = 3 mm



Part No.: S014002153301

Cable
SWL: 80 kg (176 lbs)

A = 1200 mm (47.2")
B = 30 mm (1.2")

Wire rope Ø = 3 mm

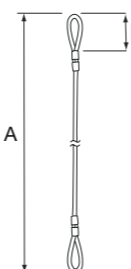


Part No.: S014002153401

Cable
SWL: 80 kg (176 lbs)

A = 2000 mm (78.7")
B = 30 mm (1.2")

Wire rope Ø = 3 mm

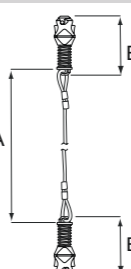


Part No.: S014002153502

Cable & 2 x Trisafe™
SWL: 80 kg (176 lbs)

A = 1200 mm (47.2")
B = 70 mm (2.7")

Wire rope Ø = 3 mm

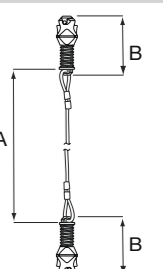
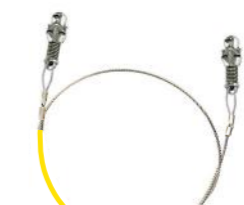


Part No.: S014002153602

Cable & 2 x Trisafe™
SWL: 80 kg (176 lbs)

A = 2000 mm (78.7")
B = 70 mm (2.7")

Wire rope Ø = 3 mm

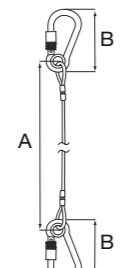


Part No.: S014002153901

Cable & 2 x Carabiner
SWL: 80 kg (176 lbs)

A = 600 mm (23.6")
B = 70 mm (2.7")

Wire rope Ø = 3 mm
Carabiner Ø = 7 mm

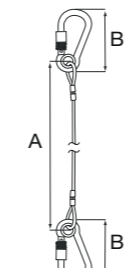


Part No.: S014002153501

Cable & 2 x Carabiner
SWL: 80 kg (176 lbs)

A = 1200 mm (47.2")
B = 70 mm (2.7")

Wire rope Ø = 3 mm
Carabiner Ø = 7 mm

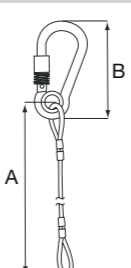


Part No.: S014004153001

Cable & Carabiner
SWL: 113 kg (250 lbs)

A = 1200 mm (47.2")
B = 80 mm (3.1")

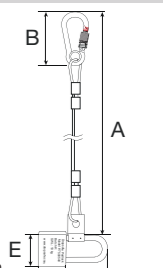
Wire rope Ø = 4 mm
Carabiner Ø = 8 mm



Part No.: S014002154001

Padlock
SWL: 10 kg (22 lbs)

A = 1000 mm (39.4")
B = 70 mm (2.7")
C = 53 mm (2.0")
D = 40 mm (1.6")
E = 32 mm (1.2")
Wire rope Ø = 3 mm
Padlock shackle Ø = 7 mm



Dropsafe Pouches

Dropsafe Pouches are safety securing devices designed to secure handheld items used at height (such as two-way radios, portable gas detectors, aerosol spray cans and multimeters).

The Pouch fully encloses the item being secured and tethers the item to the user, preventing it from becoming a dropped or falling objects hazard.



Quotations

Hand held items used at height vary in shape, size and weight. Ensure the items you intend to secure with the Pouch meet the specifications of the Part No. you select. To order, complete the 'General RFQ Form' at the back of this booklet and email us at products@dropsafe.com.

Features



Designed and tested to over 2 times Safe Working Load (SWL)



Comes with heavy duty belt clip



SUS/AISI 316 stainless steel



Available in a range of sizes (custom designs also available)

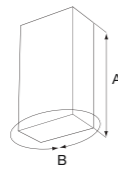
Dropsafe Pouches

Part No.: S012001100701



Fixture Specifications
SWL: 500 g (1.10 lbs)

A = 60 - 150 mm
(2.4" - 5.9")
B (Min. circumference)
= 140 mm (6.6")



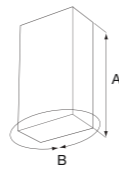
Net fits this way

Part No.: S012002100001



Fixture Specifications
SWL: 750 g (1.65 lbs)

A = 150 - 250 mm
(5.9" - 9.8")
B (Min. circumference)
= 210 mm (8.3")



Net fits this way

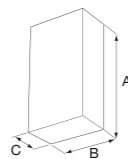
Part No.: S012003100001



Large Handheld Devices

Fixture Specifications
SWL: 750 g (1.65 lbs)

A = 245 mm (9.6")
B = 125 mm (4.9")
C = 45 mm (1.7")



Net fits this way

Dropsafe Tethering

The Dropsafe Tethering solutions feature the world's first triple action, auto locking carabiner, specifically designed for securing tool (and equipment) use at height.

Our patented Trisafe™ technology is easy to use, ergonomic, and suitable for one handed glove operation, reducing the risk of human error and to prevent tools and other items from becoming dropped objects. Made from 100% stainless steel, the Trisafe™ is also easy to inspect and clean, giving it extended durability in the harshest environments.

The versatile range comes in a variety of different lengths, material types and functions depending on the type and weight of the tool, the application and/or user preference.



WARNING

Prior to connecting and using Lanyards, all tethering system product warnings and instructions should be read and understood.

1. Weigh the tool(s) to be tethered to ensure they do not exceed the Maximum Weight Capacity of the Lanyard or any part of your tethering system. Refer to the label or product marking information for Maximum Weight Capacity information.
2. The Maximum Weight Capacity for the product varies if tethered to a human (of average body weight and strength) versus a rigid fixture. Exceeding the maximum weight limit may result in injury or death. Please adhere to the maximum weight and length limits found on the product labels.
3. Multiple Lanyards should not be joined together.
4. If you are using retrofit Tool or Anchor Attachments, ensure the Maximum Tether Length identified on the attachments is compatible with the identified tether length indicated on the tool lanyard label.

Features



Trisafe™ triple action, auto locking carabiner(s)



360° integrated swivel avoids tangles



Third-party tested & compliant with international standards



Designed for one-handed operation with gloves



Variety of Lanyard types and attachment combinations



Designed for harsh environments

Dropsafe Tool Tethering Lanyards

Part No. S017001100102

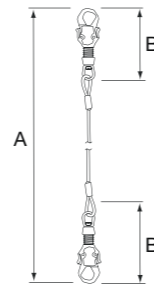


Wire Tool Lanyard - Twin Carabiners

Max. Load (dynamic): 4.5 kg (10 lbs)

Dropsafe Trisafe™ Carabiner x 2 | Lanyard: SUS 316 stainless steel
AISI/SUS 316L stainless steel | wire cable, coated, 7x19

A = 1000 mm (39.4") | Wire rope Ø = 3 mm (0.1")
B = 122 mm (4.8")



Part No. S017001101201

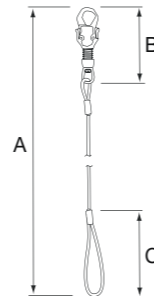


Wire Tool Lanyard - Carabiner & Loop

Max. Load (dynamic): 4.5 kg (10 lbs)

Dropsafe Trisafe™ Carabiner x 1 | Lanyard: SUS 316 stainless steel
AISI/SUS 316L stainless steel | wire cable, coated, 7x19

A = 1000 mm (39.4") | Wire rope Ø = 3 mm (0.1")
B = 122 mm (4.8")
C = 65 mm (2.6")



Part No. S017001100501

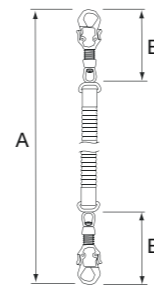


Bungee Tool Lanyard - Twin Carabiners

Max. Load (dynamic): 6.8 kg (15 lbs) (ANSI / ISEA 121-2018)

Dropsafe Trisafe™ Carabiner x 2 | Lanyard: 1680D Polyester, Elastic
AISI/SUS 316L stainless steel

A = 800 mm (31.5") relaxed / 1200 mm (47.2") stretched
Width = 19 mm (0.75")
B = 122 mm (4.8")



Part No. S017001100301

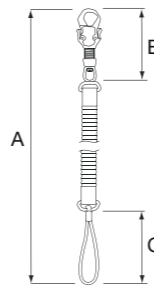


Bungee Tool Lanyard - Carabiner & Cord Loop

Max. Load (dynamic): 6.8 kg (15 lbs) (ANSI / ISEA 121-2018)

Dropsafe Trisafe™ Carabiner x 1 | Lanyard: 1680D Polyester, Elastic
AISI/SUS 316L stainless steel

A = 800 mm (31.5") relaxed / 1200 mm (47.2") stretched
Width = 19 mm (0.75")
B = 122 mm (4.8")
C = 100 mm (4")



Dropsafe Tool Tethering Lanyards

Part No. S017001100401

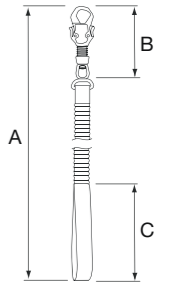


Bungee Tool Lanyard - Carabiner & Webbing Loop

Max. Load (dynamic): 6.8 kg (15 lbs) (ANSI / ISEA 121-2018)

Dropsafe Trisafe™ Carabiner x 1 | Lanyard: 1680D Polyester, Elastic
AISI/SUS 316L stainless steel

A = 800 mm (31.5") relaxed / 1200 mm (47.2") stretched
Width = 19 mm (3/4")
B = 122 mm (4.8")
C = 200 mm (8")



Part No. S017001100801

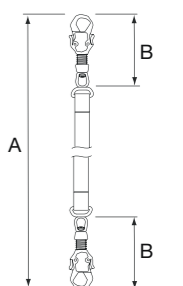


Webbing Tool Lanyard - Twin Carabiners

Max. Load (dynamic): 6.8 kg (15 lbs) (ANSI / ISEA 121-2018)

Dropsafe Trisafe™ Carabiner x 2 | Lanyard: 1680D Polyester
AISI/SUS 316L stainless steel

A = 1200 mm (47.2") | Width = 25 mm (1")
B = 122 mm (4.8")



Part No. S017001100802

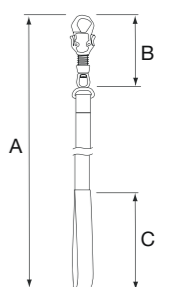


Webbing Tool Lanyard - Carabiner & Webbing Loop

Max. Load (dynamic): 6.8 kg (15 lbs) (ANSI / ISEA 121-2018)

Dropsafe Trisafe™ Carabiner x 1 | Lanyard: 1680D Polyester
AISI/SUS 316L stainless steel

A = 1200 mm (47.2") | Width = 25 mm (1")
B = 122 mm (4.8")
C = 200 mm (8")



Dropsafe Matting

The Dropsafe Matting is a PVC system for use on worksite walkways and flooring to stop objects falling through grating. Developed in partnership with Plastex, who have over 40 years' experience manufacturing high quality, durable matting. The two layer open grid construction prevents even small items dropping from walkways or platforms above, and the diamond cut pattern offers a high-traction, anti-slip surface.



The system is laid on walking working surfaces situated at height. It is strong and hardwearing, designed for use in harsh environments both onshore and offshore. With high levels of resistance to both UV and chemical, oil and acid, the Dropsafe Matting system is the perfect addition to any industrial setting looking to elevate their safety programme.

Features



Made from non-porous PVC



Chemical, oil & acid resistant



High UV resistance
Suitable for harsh environments



Certified slip resistant



Contours to uneven surfaces



4-year warranty

Dropsafe Matting

Part No.: S015001130101



Dropsafe Matting - Heavy Duty (HD)

Material: PVC

Size: 0.91 x 12 m (3' x 40')

Height: 14 mm (0.56")

Weight: 10.5 kg/m² (2.14 lb/sq.ft)

Colour: Black

Part No.: S015001150101



Dropsafe Matting - Medium Duty (MD)

Material: PVC

Size: 0.91 x 12 m (3' x 40')

Height: 15 mm (0.62")

Weight: 7.6 kg/m² (1.6 lb/sq.ft)

Colour: Black

Part No.: S015001170101



Dropsafe Matting - Light Duty (LD)

Material: PVC

Size: 0.91 x 10 m (3' x 33')

Height: 6 mm (0.25")

Weight: 3.7 kg/m² (0.76 lb/sq.ft)

Colour: Black

Dropsafe Barricade

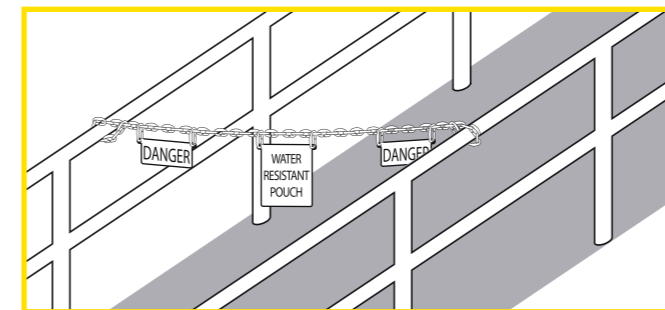
The Dropsafe Barricade is a work site safety management system.

The Barricade is the only versatile and fully customisable system designed to install in any type of access and work area.

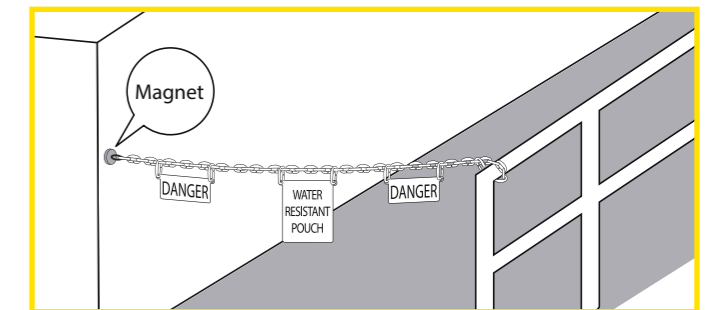
The Barricade systems flexibility enables good housekeeping practices, providing a safer working environment for your personnel.



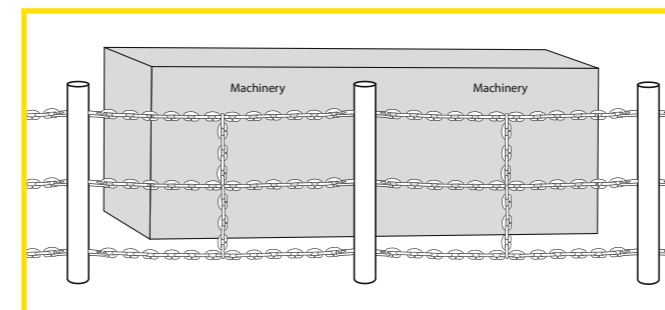
Installation Types



Wrap Attachment



Magnet Attachment



Barricade Fence

Quotations

The Barricade can be used for different applications throughout a facility. The system has multiple attaching options, customisable chain lengths, modular signage and a modular weather resistant documentation pouch. When selecting Barricade components, consider the different areas the Barricade can be used at your facility and the required attachment scenarios. To order, complete the 'General RFQ Form' at the back of this booklet and email us at products@dropsafe.com.

Features



Suitable for harsh environments



Durable weatherproof and reflective document pouch



Customisable chain length and multiple installation options



Attachable DANGER and CAUTION signs



Magnetic hooks to connect the chain to metal structures

Protecting Your People

The Americas

☎ +1 866 299 2294
✉ america@dropsafe.com

Asia

☎ +852 3664 8350
✉ asia@dropsafe.com

Europe

☎ United Kingdom +44 0800 015 9709
☎ The Netherlands +31 0800 022 8621
✉ europe@dropsafe.com

Middle East & Africa

☎ +971 4 328 4855
✉ middleeast@dropsafe.com

Oceania

☎ +61 1800 821 649
✉ australia@dropsafe.com

Dropsafe is a proud member of:



Dropsafe[®]

Drops Prevention Technology